

MPS Options



Stand

The stand function enables users to raise to an upright position and allows them to drive while standing at reduced speed.



CG Tilt

The CG tilt function enables users to infinitely change their position by tilting a fixed seat frame around an axis of rotation of 45°.



Recline

The recline function enables users to infinitely change the seat to back angle of their system within a 178° range.



ESR

Extended Shear Reduction (ESR) is synchronized with Recline and Stand to reduce the amount of shear in the system.



Elevate

The Elevate module allows users to raise their entire power positioning system 7" above the lowest seat-to-floor height of their system.



BDC

The Belt Drive Center Mount Articulating Foot Platform's Pivot point sits at the seat pan with a preset angle of 7°. Accommodates leg lengths of 13" to 18"+ and comes standard with individual calf pads and footplates.

Features

Standard Weight Capacity	250 lbs
Standard Seat Widths	16" - 20"
Standard Seat Depths	16" - 20"
Standard Back Widths	16" - 20"
Standard Back Heights	20" - 35"

Power Positioning Options

Power Tilt System	45° CG Tilt
Power Tilt & Recline w/Extended Shear Reduction (ESR)	45° CG Tilt, 178° Recline
Power Stand Feature (Comes with Synchronized Foot Platform)	•
7" Elevating Seat Module	•

Seat Cushion Options

Invacare® Matrix® PS Cushion	•
Invacare® Matrix® Vi Cushion	•
Invacare® Matrix® Flo-Tech Cushion	•

Back Options

Rehab Back & Back Cushion (20" - 25" H - N/C) (26" - 35" H)	•
Contour Back (3" Contour)	•
High Back (3" Contour)	•
Invacare® Matrix® Elite Back (3" Contour)	•
Invacare® Matrix® Elite Full Back (3" Contour)	•
Invacare® Matrix® Elite Deep Back (6" Contour)	•
Invacare® Matrix® PB Back (5" Contour)	•
Invacare® Matrix® PB Deep Back (7" Contour)	•

Lateral Thoracic Supports

(For Invacare® Matrix® Elite and Elite Full Only)

Fixed	•
Offset, Fixed	•
Swing-Away	•
Offset, Swing-Away	•

Headrests & Mounting Hardware

Concepts Standard	•
Stealth All Positioning — Large & X-Large	•
Nino Comfort Plus — 6" W	•
Stealth Comfort Plus — Available in 8", 10" & 14" W	•
Onyx Auto Style Headrest	•
Concepts Detachable Mounting Hardware	•
Stealth's World's Best Headrest Hardware	•

Armrests

Height & Angle Adjustable Cantilever Flip Back	STD
Quick-Lock Mechanism	STD

Armpads

Standard	STD
Multi-position Flat arm pad with bumper guards	•
Gel	•
Ergonomic Arm Trough	•
Flat Hand Pad	•

Armpad Accessories

Elbow Blocks	•
Stealth Swing-Away Elbow Support	•

Lateral Trunk Supports

(For Non-Invacare® Matrix® Backs)

Fixed	•
Swing-Away	•
Stealth Fixed	•
Stealth Adjustable, Swing-Away	•

Lateral Hip Supports

(Hip and/or Knee Mounted)

Fixed	•
Lift Off, Removable	•
Stealth Flip-Down	•

Chest Straps

Chest Straps (24" L x 5" W)	STD
X-Style Chest Straps - Medium (28" L x 24" W)	•
X-Style Chest Straps - Large (32" L x 26" W)	•

Lap Belts

2 Point Lap Belt	STD
------------------	-----

Power Center Mount

Synchronized Center Mount Foot Platform (Non Elevating)	STD
BDC - Belt Drive Center Mount Articulating Foot Platform	•

Removable Knee Block

Height, Depth & Angle Adjustable (Pad size: 8.5" W x 6.5" H)	STD
--	-----

Foot Plates

Individual Footplates for BDC (FDX Option Only) — Available in three sizes	STD
Medium Flip-up Foot Platform for BDC (Storm Option Only)	STD

Electronics

Enhanced Single Function Control Module	•
Enhanced 2-5 Function Control Module	•
Four Button 8-Way Switch	•

Motion Concepts USA: 700 Ensminger Rd., Suite 112, Tonawanda, NY 14150 Toll Free Tel: 1.888.433.6818 Toll Free Fax: 1.888.433.6834

Motion Concepts Canada: 84 Citation Dr., Unit 1-7, Concord, ON L4K 3C1 Toll Free Tel: 1.866.748.7943 Tel: 905.695.0134 Fax: 905.695.0138
www.motionconcepts.com info@motionconcepts.com education@motionconcepts.com

MPS Accessibility within Reach . . .





Accessibility within Reach . . .

Our **Multi-Position Stander (MPS)** is an innovative, highly adjustable system combining power standing and a full range of power positioning options in a package that provides a unique combination of independence, function and accessibility.

The **MPS** can get people closer to store shelves and kitchen cabinets or simply help them see above the crowd. Standing also enables them to engage people eye to eye to enhance communication, increasing social interaction and self-esteem.

The **documented medical benefits of standing** are numerous. The MPS can allow easy access to standing throughout the day leading to better bone health, greater joint mobility, pain management, enhanced renal/bowel function and decreased risk for skin tissue breakdown.

WE BUILD IT YOUR WAY

Simple: The MPS can be configured with a simple, full range 45° CG Tilt only, on an Invacare® FDx® or through Request For a Quotation (RFQ) on Invacare® Storm Series™ power bases.

Complex: If more features are needed the MPS can also be built with a full range of power positioning accessories including 178° of Recline with Extended Shear Reduction (ESR), 7" of Seat Elevation and Belt Drive Center Mount Articulating Foot Platform.

MPS mobility is not simply a means of transportation,
but a way to improve one's life!



Choice

SPECIFICATIONS

- 16" - 20" of adjustable seat width & depth*

SEAT WIDTH/DEPTH	ADJUSTMENT RANGE
16", 17"	16" - 19"
18", 19", 20"	17" - 20"

- 250 lb. weight capacity
- Minimum Seat-to-floor height (STF) 18.875"
- Available on Invacare® FDX® front-wheel drive power base
- Storm Series™ (Torque 3, Ranger X or Arrow) rear-wheel drive bases are available through Request For a Quotation (RFQ)

CONFIGURATIONS

The MPS is offered in numerous configurations to accommodate the varied individual needs of today's consumers:

OPTIONS	SIMPLE	COMPLEX
45° CG Tilt	•	•
178° Recline with Extended Shear Reduction (ESR)	N/A	•
7" Seat Elevation	•	•
Synchronized Center Mount Platform	•	•
Belt Drive Center Mount Articulating Foot Platform (BDC)	N/A	•

*Life can sometimes be just out of reach;
Standing gives you the means to grab it!*

*Requires additional parts such as seat pan, spreader bar and back pan



REMOVABLE
CHEST BAR

CHEST STRAP

LAP BELT

REMOVABLE
KNEE BLOCK

DYNAMIC
FRONT CASTERS

Assurance

Dynamic Front Casters — Motion Concepts' retractable, Dynamic Front Caster assembly provides maximum stability while driving in the standing position, without compromising power base performance and maneuverability.

Removable Knee Block — The angle, height and depth adjustable Knee Block is designed to safely secure the user while standing and offers 2" of independent height and depth adjustability to accommodate asymmetries.

Lap Belt — The center-pull, push button and adjustable 2 Point Padded Lap Belt is flat mounted and provides anterior pelvic support.

Chest Strap — The center-pull, push button and adjustable 2 Point Padded Chest Strap is height adjustable and provides anterior positioning support.

Chest Bar — The removable, height and angle adjustable Chest Bar is designed to safely secure the user while standing and offers angle adjustability to accommodate asymmetries. This feature can be removed or stowed to the side of the arm rest for transfer or when not in use.

We are proud to offer products that assist with independence and accessibility through life's journey.



SLIDING
BACK

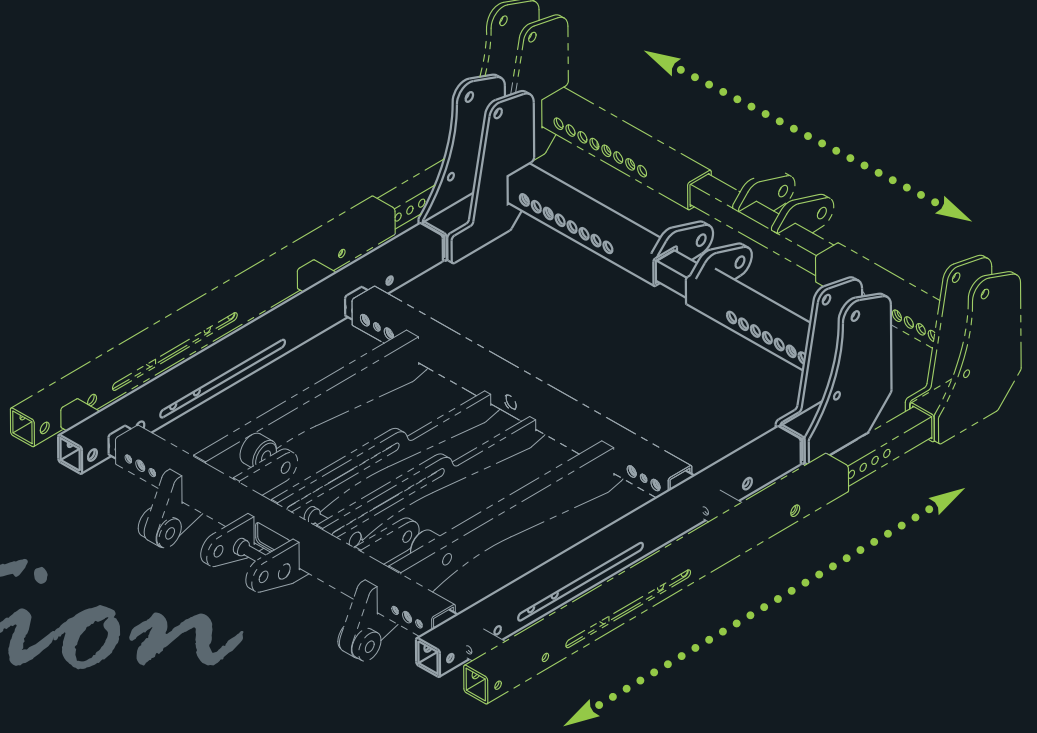
ARTICULATING
FOOT
PLATFORM



STORAGE
BRACKET

RETRACTABLE
KNEE BLOCK MOUNT

Function



FUNCTION

From sit to stand the MPS' sliding back and foot platform are synchronized to provide a smooth transition with minimal shear.

Seat depth is adjusted at the rear of the system to maintain a consistent relationship between the body's natural pivots at the users knees and feet for a smooth standing motion.

CONVENIENCE

The MPS' Retractable Knee Block Mount and Storage Bracket allow the Knee Block to be removed and stored on the side of the system when the standing feature is not being used for a clean, uncluttered appearance.

Chest Bar can also be removed or stowed to the side of the arm rest when standing feature is not being used.

*Therapy should not stop when the client leaves the clinic;
On-going therapy is the key to functional improvement.*

REMOVABLE KNEE BLOCK
Height, Depth & Angle Adjustable
Independent Depth & Lateral Adjustment



LATERAL TRUNK SUPPORTS
Height Adjustable
Swing-Away



LATERAL HIP SUPPORTS
Multi Adjustable
Hip and/or Knee Mounted





CHEST STRAP
Height Adjustable

FLIP BACK ARMREST
Height & Angle Adjustable
Locking



Adjustability

CHEST BAR
Angle, Height & Depth Adjustable



8-WAY SWITCH
Removable

