

www.motionconcepts.com
U.S.
700 Ensminger Rd.,
Suite 112
Tonawanda, NY 14150
TEL 1.888.433.6818
FAX 1.888.433.6834

Canada
84 Citation Dr.,
Concord, ON
L4K 3C1
TEL 905.695.0134
FAX 905.695.0138

Another 'quick fix'

Just another quick fix, huh! Well, at Motion Concepts, while we're definitely known for being quick, and all of our amazing products do 'fix' many of your clients' concerns, we like to think of ourselves more as permanent solutions providers.

Why? Because each and every technologically advanced product we create is meticulously designed by our top-notch engineering team to provide the most practical, effective and long term solution for your clients.

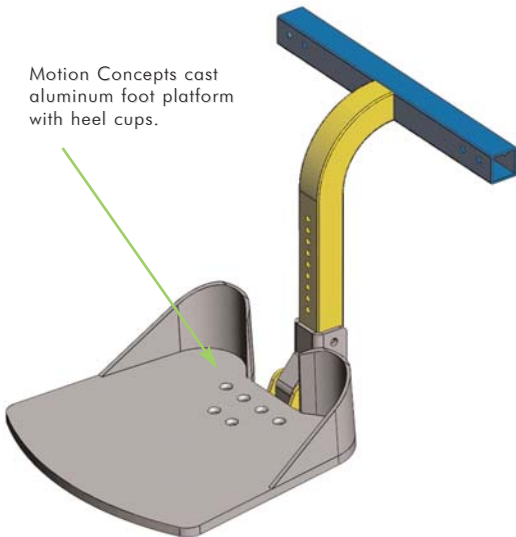
Take our 90° Fixed Center-Mount Platform Interface Bracket, for example. This valuable component is definitely more than just a quick fix. It not only deftly attaches the footboard to the base, but also elevates while tilting. So it always keeps your client's feet supported.

Showing our support

Our 90° Fixed Center-Mount Platform Interface Bracket mounts directly from your TRx system to most manufacturers' footboards. Plus, the footplate is angle adjustable at -15° to +15° for the Motion Concepts footplate, and -10° to +12° for either the Quantum or Invacare footplate. So, it not only provides the same desirable, convenient, small footprint of the footboard, but maintains the client's comfort too. But that's not all! It also allows the footboard to flip up for easier clearance during forward transfers, and is designed to avoid interfering with the front casters/anti-tips — all the while keeping the client's feet in tight, without pulling their legs out or increasing seat depth.

The 90° Fixed Center-Mount Platform Interface Bracket is available for 16.5" seat-to-floor heights and up, (with extensions available), and from 16"-22" width and length. So go ahead. Give your clients a quicker, long-term fix than you ever imagined!

Motion Concepts cast aluminum foot platform with heel cups.



Our 90° Fixed Center-Mount Platform Interface Bracket can be affixed to either an Invacare, Quantum or Motion Concepts footplate. Shown here with a Quantum footplate.