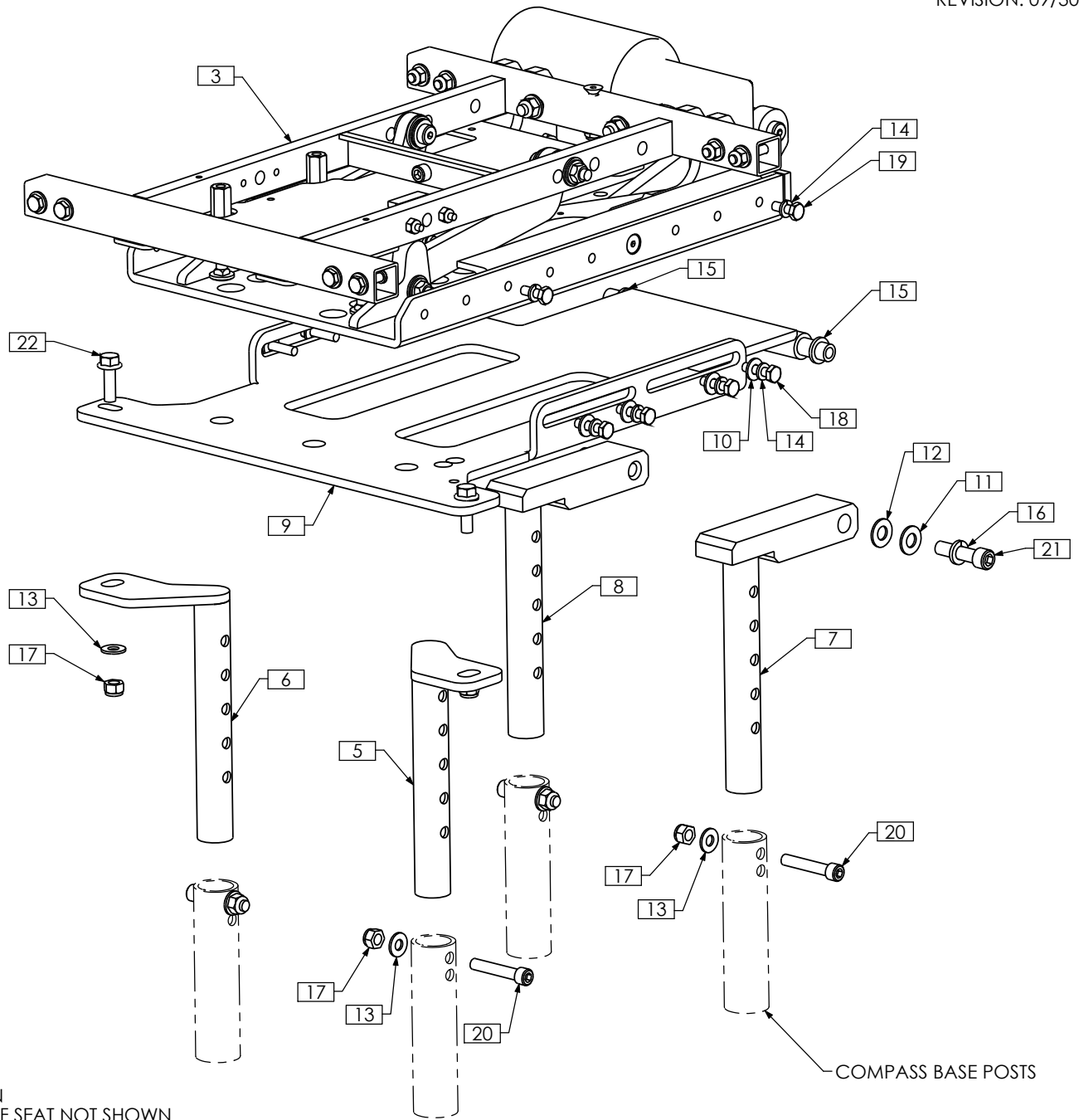


GOLDEN TECHNOLOGIES
P O W E R B A S E
I N T E R F A C E S



TRI272 - INSTALLATION OVERVIEW, COMPASS, ULTRA LOW CGT

REVISION: 09/30/2009



- NOTES:
 1. N/S = NOT SHOWN
 2. UPPER PORTION OF SEAT NOT SHOWN

ITEM NO.	QTY.	PART NO.	DESCRIPTION	ITEM NO.	QTY.	PART NO.	DESCRIPTION
1A N/S	1	TRC0635	TILT ARM REST SELECTION	11	2	TRH0104	3/8" FLAT WASHER
1B N/S	1	TRC0659	RECLINE ARM REST SELECTION	12	2	TRH0105	3/8" NYLON WASHER
2 N/S	1	TRC0815	HEADREST SELECTION	13	6	TRH0107	5/16" FLAT WASHER
3	1	TRC1064	MAIN ASS'Y	14	12	TRH0115	1/4" LOCK WASHER
4A N/S	1	TRC0575	ARMREST CONTROL MOUNTING ASS'Y, PUSH BUTTON	15	2	TRH0116	1/2" NYLON WASHER
4B N/S	1	TRC0576	ARMREST CONTROL MOUNTING ASS'Y, TOGGLE SWITCH	16	2	TRH0122	3/8" LOCK WASHER
5	1	TRX4493	FRONT MOUNTING BRKT WLD, LEFT	17	6	TRH0206	5/16-18 NYLOC NUT
6	1	TRX4494	FRONT MOUNTING BRKT WLD, RIGHT	18	8	TRH0303	1/4-20 x 1" HEX HEAD CAP SCREW
7	1	TRX4495	REAR MOUNTING POST WLD, LEFT	19	4	TRH0306	1/4-20 x 3/4" HEX HEAD CAP SCREW
8	1	TRX4496	REAR MOUNTING POST WLD, RIGHT	20	4	TRH0315	5/16-18 x 1 1/4" SOCKET HEAD CAP SCREW GR8
9	1	TRX5163	INTERFACE WLD	21	2	TRH0376	3/8-16 x 1 1/2" SOCKET HEAD CAP SCREW GR8
10	8	TRH0101	1/4" FLAT WASHER	22	2	TRH0603	5/16-18 x 1" HEX HEAD FLANGED CAP SCREW GR8