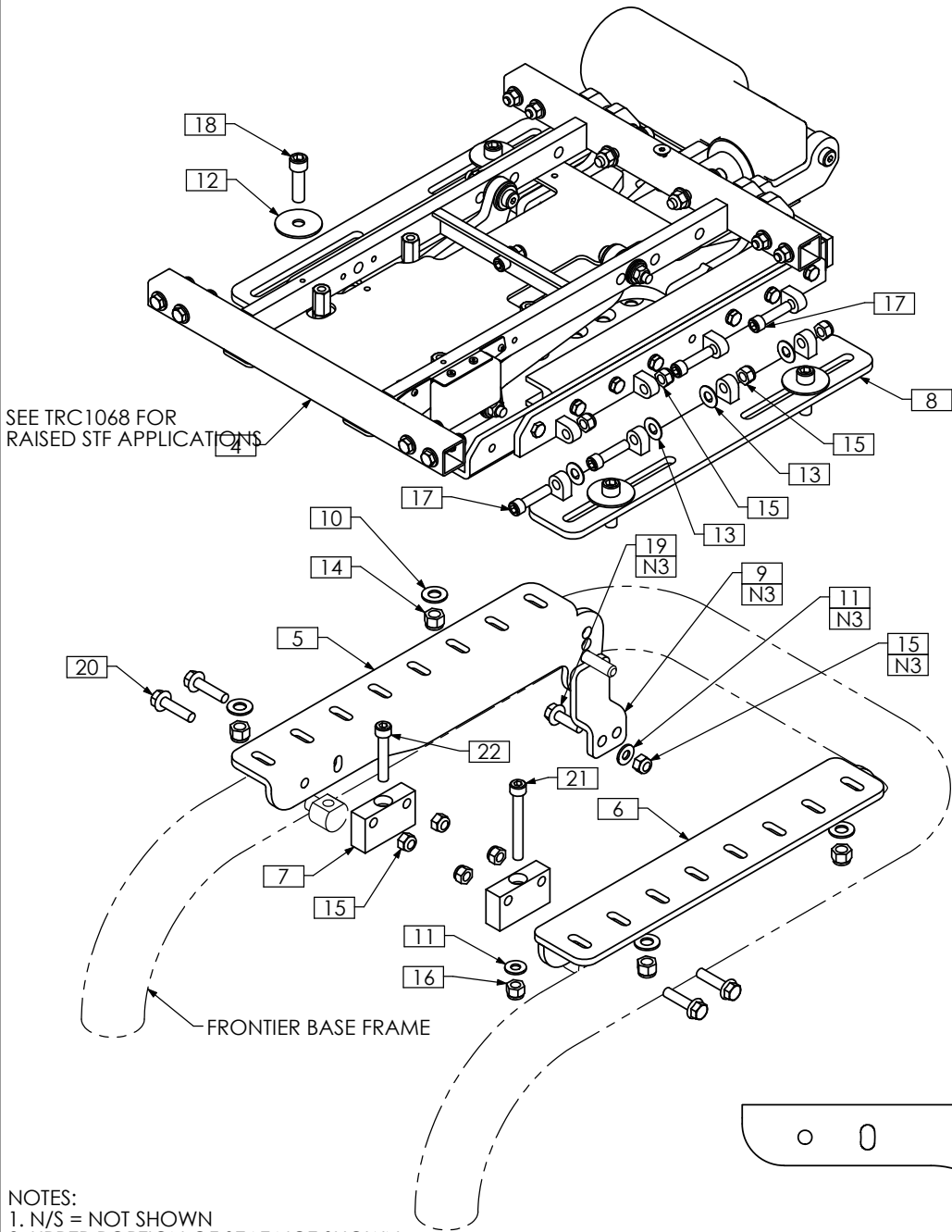


**I N N O V A T I O N I N
M O T I O N
P O W E R B A S E
I N T E R F A C E S**



TRI254 - INSTALLATION OVERVIEW, FRONTIER X5, ULTRA LOW CGT

REVISION: 05/26/2009

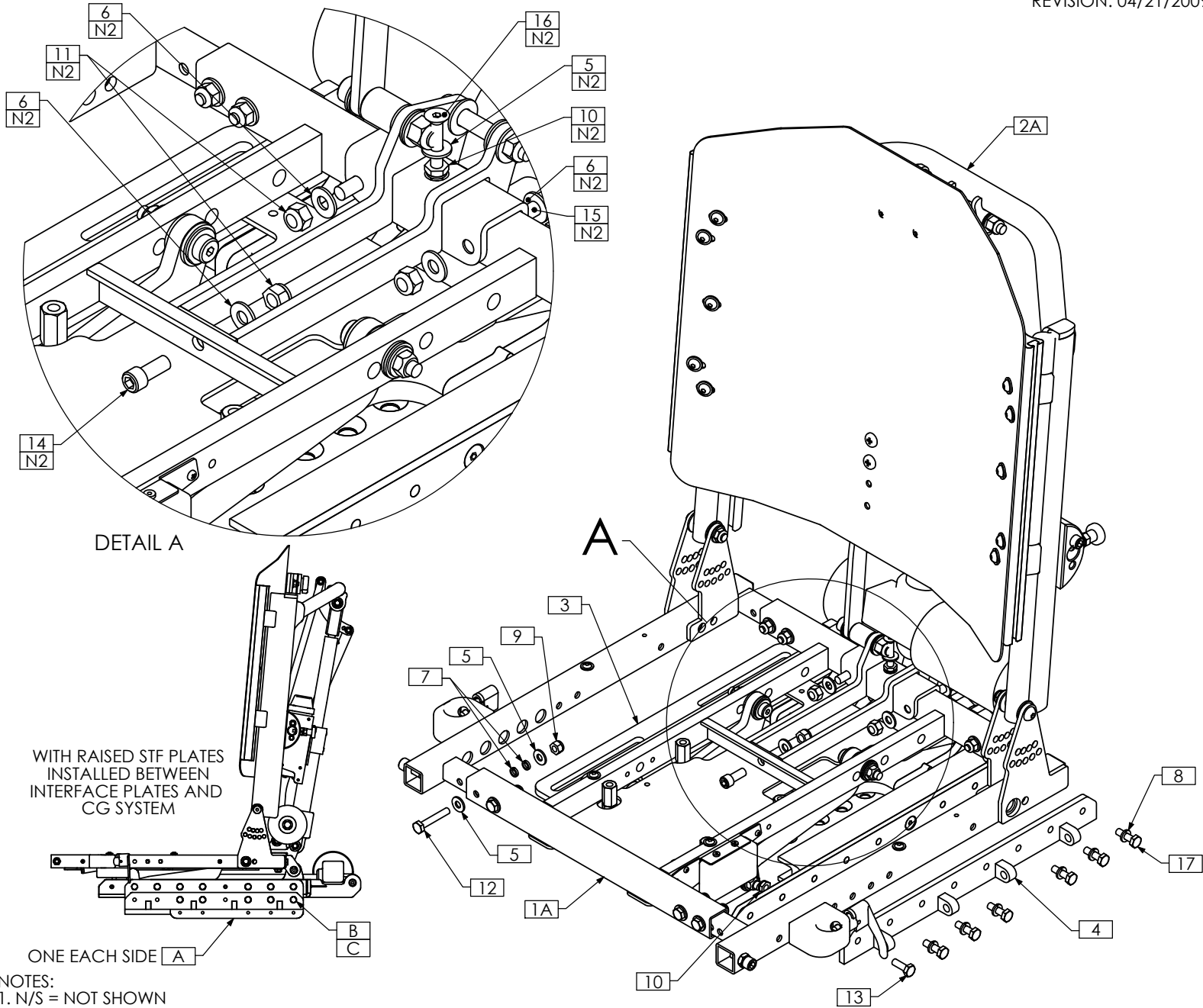


- NOTES:
 1. N/S = NOT SHOWN
 2. UPPER PORTION OF SEAT NOT SHOWN
 3. REQUIRED FOR NEWER BASES WITH SUPPLIED E-CLIP. NOT REQUIRED ON OLDER BASES WITH SUPPLIED NUT

ITEM NO.	QTY.	PART NO.	DESCRIPTION	ITEM NO.	QTY.	PART NO.	DESCRIPTION
1A N/S	1	TRC0635	TILT ARM REST SELECTION	11	3	TRH0107	5/16" FLAT WASHER
1B N/S	1	TRC0659	RECLINE ARM REST SELECTION	12	4	TRH0130	3/8" FENDER WASHER
2 N/S	1	TRC0815	HEADREST SELECTION	13	4	TRH0132	0.35"ID x 3/4"OD x 0.032" NYLON WASHER
3A N/S	1	TRC0575	ARMREST CONTROL MOUNTING ASS'Y, PUSH BUTTON	14	4	TRH0204	3/8-16 NYLOC NUT
3B N/S	1	TRC0576	ARMREST CONTROL MOUNTING ASS'Y, TOGGLE SWITCH	15	10	TRH0206	5/16-18 NYLOC NUT
4	1	TRC1068	MAIN ASS'Y	16	1	TRH0253	M8 NYLOC NUT
5	1	TRX5204	MOUNTING BRACKET	17	4	TRH0334	5/16-18 x 1 1/4" SOCKET HEAD CAP SCREW GR8
6	1	TRX5205	MOUNTING BRACKET WLD	18	4	TRH0347	3/8-16 x 1 1/4" SOCKET HEAD CAP SCREW GR8
7	2	TRX5207	MOUNTING BLOCK	19	2	TRH0603	5/16-18 x 1" HEX HEAD FLANGED CAP SCREW GR8
8	1	TRX5213	LOWER MOUNTING WLD	20	4	TRH0606	5/16-18 x 1 1/4" HEX HEAD FLANGED CAP SCREW GR8
9	2	TRX5559	RETAINING BRACKET	21	1	TRH0630	M8 X 65 SOCKET HEAD CAP SCREW GR8
10	4	TRH0104	3/8" FLAT WASHER	22	1	TRH0647	M8 X 45 SOCKET HEAD CAP SCREW GR8

TRC1068 - MAIN ASS'Y, FRONTIER X5, ULTRA LOW CGT

REVISION: 04/21/2009



WITH RAISED STF PLATES
INSTALLED BETWEEN
INTERFACE PLATES AND
CG SYSTEM

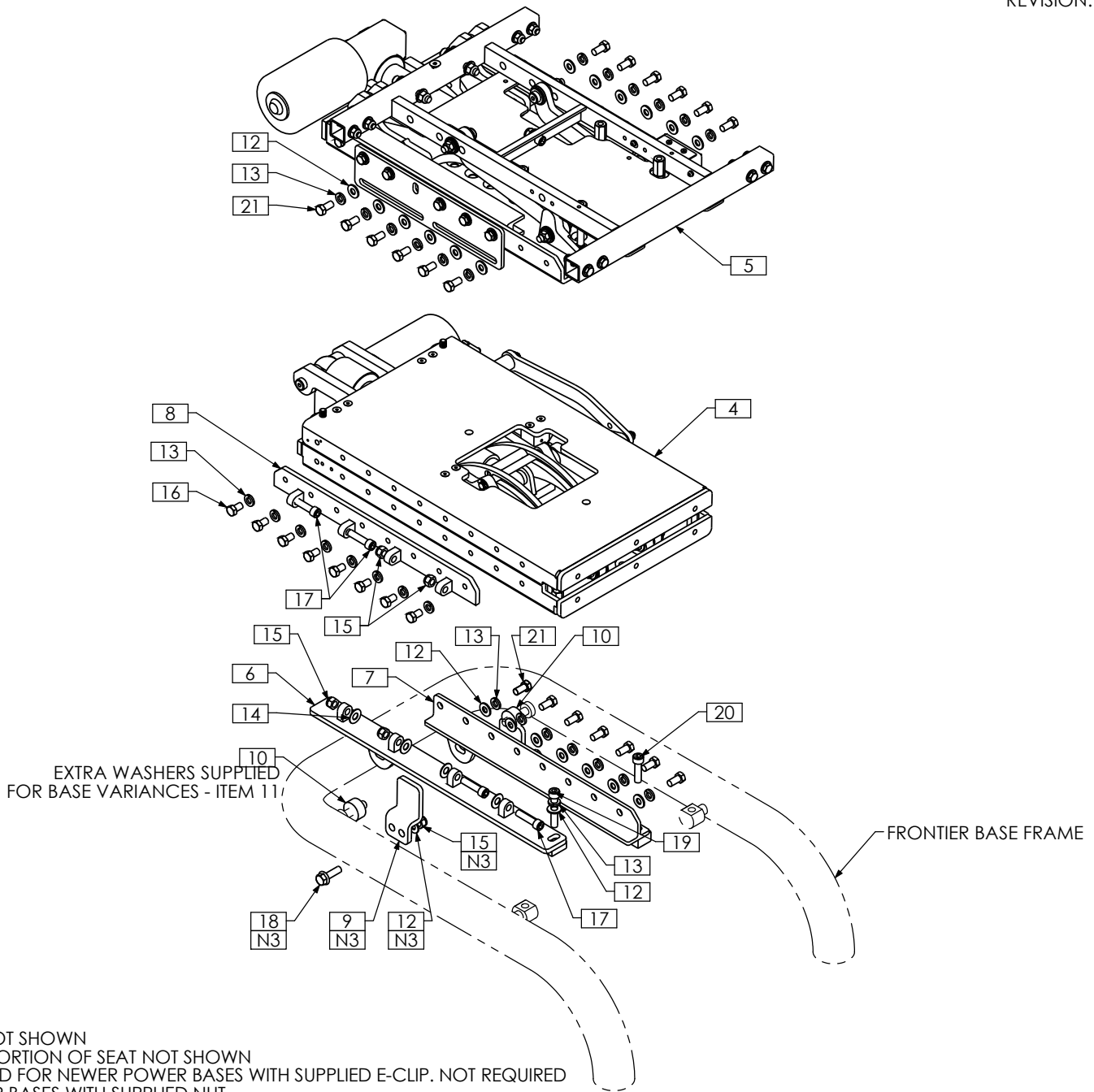
ONE EACH SIDE [A]

- NOTES:
 1. N/S = NOT SHOWN
 2. USED ONLY FOR SYSTEM WITH RECLINE
 3. SEAT PAN NOT SHOWN

ITEM NO.	QTY.	PART NO.	DESCRIPTION	ITEM NO.	QTY.	PART NO.	DESCRIPTION
1A	1	TRC0982	POSITIONING SYSTEM, 7" SHIFT	10	3	TRH0202	1/4-20 SHALLOW NYLOC NUT
1B N/S	1	TRC0984	POSITIONING SYSTEM, 5" SHIFT	11	3	TRH0206	5/16-18 NYLOC NUT
2A	1	TRC0531	UPPER SEAT ASS'Y, RECLINE AND ESR	12	8	TRH0301	1/4-20 x 1 1/2" HEX HEAD CAP SCREW
2B N/S	1	TRC0534	UPPER SEAT ASS'Y, TILT-ONLY	13	2	TRH0306	1/4-20 x 3/4" HEX HEAD CAP SCREW
2C N/S	1	TRC0530	UPPER SEAT ASS'Y, RECLINE	14	1	TRH0323	5/16-18 x 3/4" SOCKET HEAD CAP SCREW GR8
3	1	TRX5208	MOUNTING PLATE	15	2	TRH0358	5/16-18 x 2" SOCKET HEAD CAP SCREW GR8
4	1	TRX5212	UPPER MOUNTING WLD	16	1	TRH0377	1/4-20 x 1 1/2" FLAT SOCKET CAP SCREW
5	17	TRH0101	1/4" FLAT WASHER	17	12	TRH0593	1/4-20 x 7/8" HEX HEAD CAP SCREW
6	5	TRH0107	5/16" FLAT WASHER	A	2	TRX5455	RAISING INTERFACE PLATE
7	16	TRH0113	1/4" HI COLLAR LOCK WASHER	B	10	TRH0306	1/4-20 x 3/4" HEX HEAD CAP SCREW
8	22	TRH0115	1/4" LOCK WASHER	C	10	TRH0115	1/4" LOCK WASHER
9	8	TRH0201	1/4-20 NYLOC NUT				

TRI253 - INSTALLATION OVERVIEW, FRONTIER, VERTICAL LIFT

REVISION: 05/26/2009



NOTES:

- 1. N/S = NOT SHOWN
- 2. UPPER PORTION OF SEAT NOT SHOWN
- 3. REQUIRED FOR NEWER POWER BASES WITH SUPPLIED E-CLIP. NOT REQUIRED ON OLDER BASES WITH SUPPLIED NUT

ITEM NO.	QTY.	PART NO.	DESCRIPTION	ITEM NO.	QTY.	PART NO.	DESCRIPTION
1A N/S	1	TRC0635	TILT ARM REST SELECTION	11 N/S	5	TRH0104	3/8" FLAT WASHER
1B N/S	1	TRC0659	RECLINE ARM REST SELECTION	12	22	TRH0107	5/16" FLAT WASHER
2 N/S	1	TRC0815	HEADREST SELECTION	13	28	TRH0108	5/16" LOCK WASHER
3A N/S	1	TRC0575	ARMREST CONTROL MOUNTING ASS'Y, PUSH BUTTON	14	4	TRH0132	0.35"ID x 3/4"OD x 0.032" NYLON WASHER
3B N/S	1	TRC0576	ARMREST CONTROL MOUNTING ASS'Y, TOGGLE SWITCH	15	6	TRH0206	5/16-18 NYLOC NUT
4	1	TRC0957	UPPER FRAME ASS'Y, VERTICAL SEAT LIFT	16	8	TRH0320	5/16-18 x 1/2" HEX HEAD CAP SCREW
5	1	TRC1067	MAIN ASS'Y	17	4	TRH0334	5/16-18 x 1 1/4" SOCKET HEAD CAP SCREW GR8
6	1	TRX5167	LOWER MOUNTING WLD	18	2	TRH0603	5/16-18 x 1" HEX HEAD FLANGED CAP SCREW GR8
7	1	TRX5171	MOUNTING WLD	19	1	TRH0647	M8 X 45 SOCKET HEAD CAP SCREW GR8
8	1	TRX5212	UPPER MOUNTING WLD	20	1	TRH0662	M8 X 30 SOCKET HEAD CAP SCREW GR8
9	2	TRX5559	RETAINING BRACKET	21	20	TRH0663	5/16-18 x 5/8" HEX HEAD CAP SCREW
10	2	TRM0648-500	SPACER, 3/8" ID X 1" OD X 1/2" LONG				