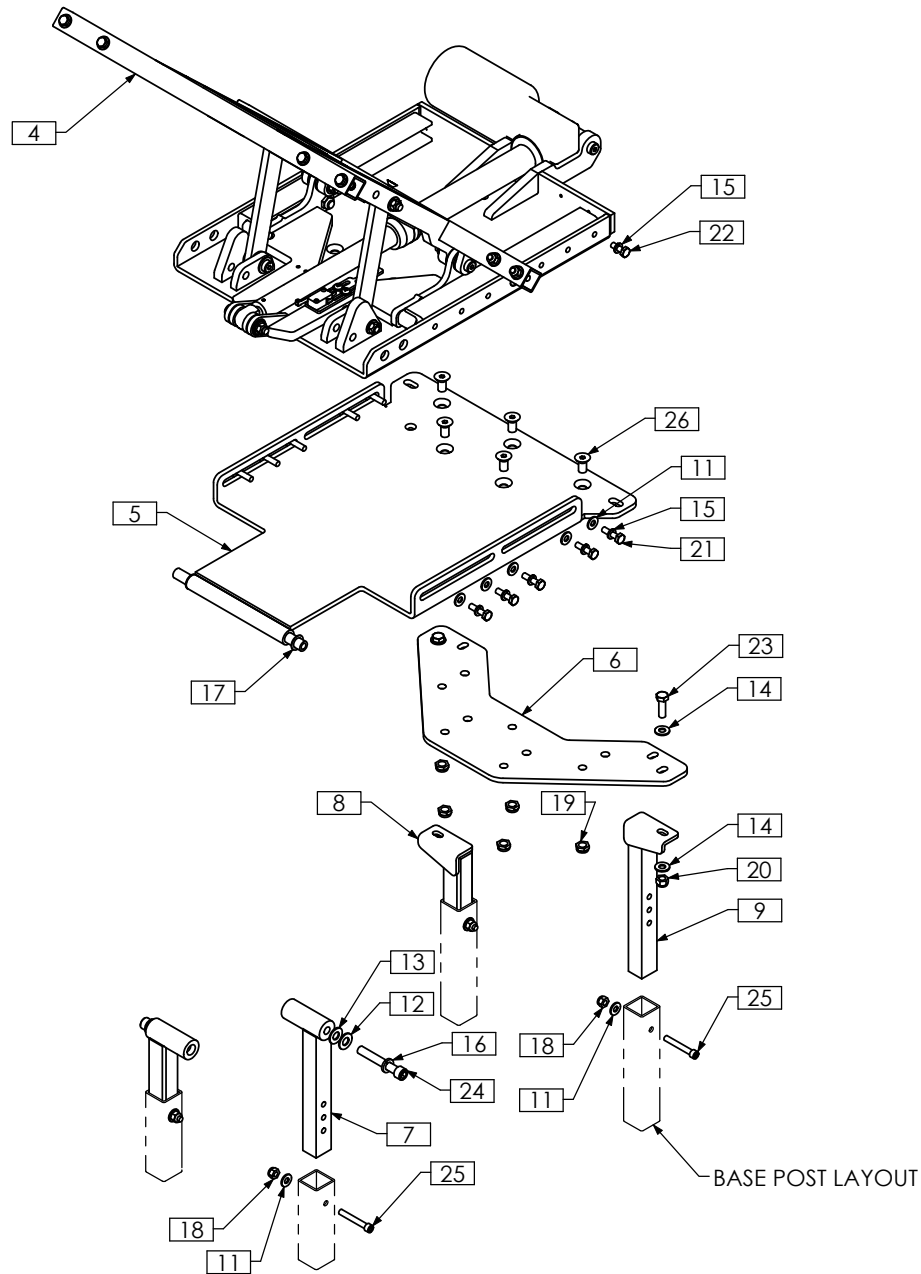


P A C E S A V E R
P O W E R B A S E
I N T E R F A C E S



TRI276 - INSTALLATION OVERVIEW, SCOUT BOSS 6NS, ULTRA LOW CGT, BARIATRIC

REVISION: 09/30/2009

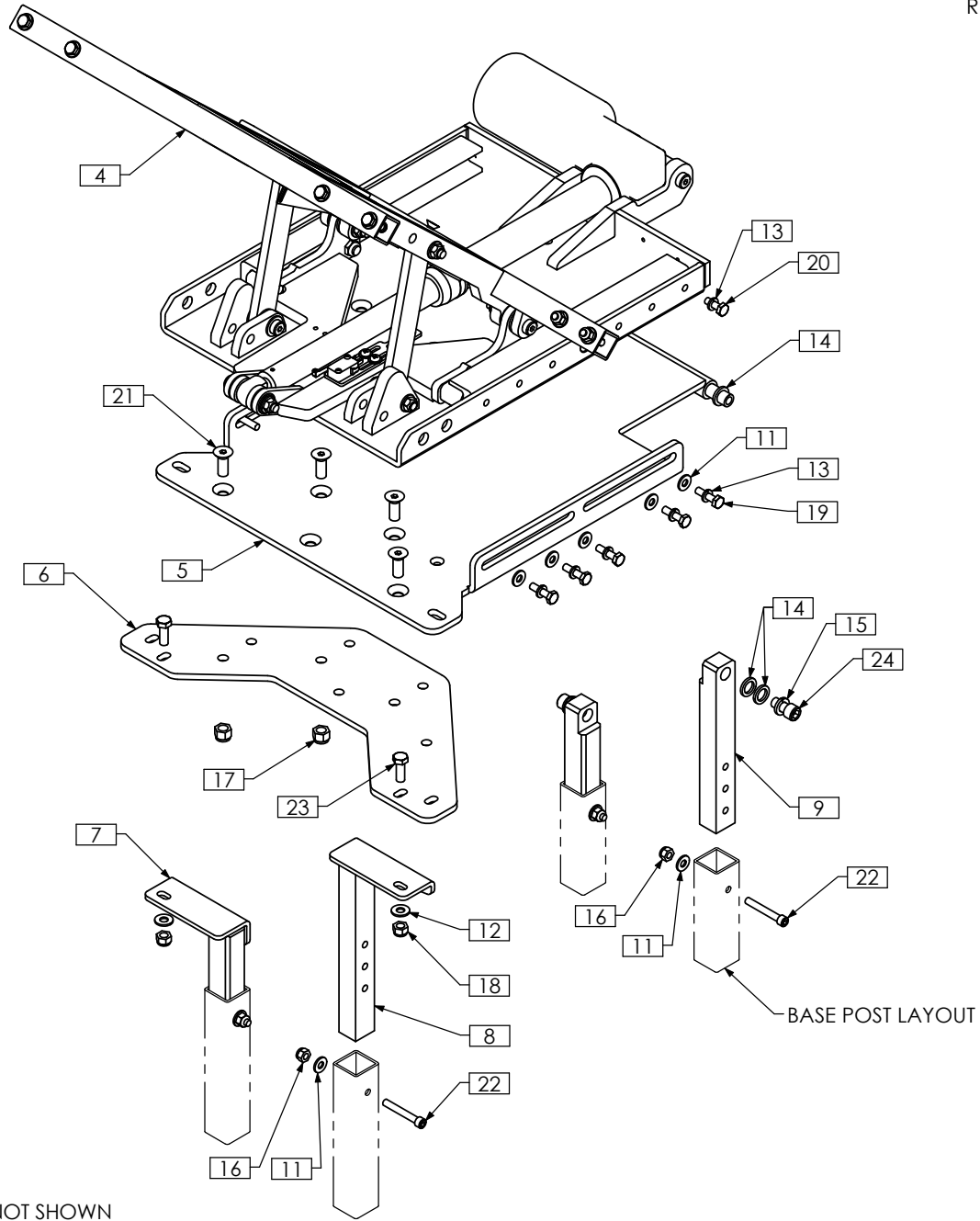


NOTES:
 1. N/S = NOT SHOWN
 2. UPPER PORTION OF SEAT NOT SHOWN

ITEM NO.	QTY.	PART NO.	DESCRIPTION	ITEM NO.	QTY.	PART NO.	DESCRIPTION
1A N/S	1	TRC0635	TILT ARM REST SELECTION	13	2	TRH0105	3/8" NYLON WASHER
1B N/S	1	TRC0659	RECLINE ARM REST SELECTION	14	4	TRH0107	5/16" FLAT WASHER
2 N/S	1	TRC0815	HEADREST SELECTION	15	12	TRH0115	1/4" LOCK WASHER
3A N/S	1	TRC0575	ARMREST CONTROL MOUNTING ASS'Y, PUSH BUTTON	16	2	TRH0122	3/8" LOCK WASHER
3B N/S	1	TRC0576	ARMREST CONTROL MOUNTING ASS'Y, TOGGLE SWITCH	17	2	TRH0136	1/2"ID x 3/4"OD x 0.032" NYLON WASHER
4	1	TRC1087	MAIN ASS'Y	18	4	TRH0201	1/4-20 NYLOC NUT
5	1	TRX5429	BARIATRIC INTERFACE WLD	19	5	TRH0205	3/8-16 SHALLOW NYLOC NUT
6	1	TRX5431	ADAPTER PLATE	20	2	TRH0206	5/16-18 NYLOC NUT
7	2	TRX5432	FRONT POST WLD	21	10	TRH0303	1/4-20 x 1" HEX HEAD CAP SCREW
8	1	TRX5775	REAR POST WLD, LEFT	22	2	TRH0306	1/4-20 x 3/4" HEX HEAD CAP SCREW
9	1	TRX5776	REAR POST WLD, RIGHT	23	2	TRH0316	5/16-18 x 1" HEX HEAD CAP SCREW
10 N/S	1	TRM0464	SYL-GLIDE, PACKET	24	2	TRH0402	3/8-16 x 2 1/2" SOCKET HEAD CAP SCREW GR8
11	14	TRH0101	1/4" FLAT WASHER	25	4	TRH0483	1/4-20 x 1 3/4" SOCKET HEAD CAP SCREW GR8
12	2	TRH0104	3/8" FLAT WASHER	26	5	TRH0572	3/8 -16 x 3/4" FLAT SOCKET CAP SCREW

TRI277 - INSTALLATION OVERVIEW, SCOUT BOSS RF-P4, ULTRA LOW CGT, BARIATRIC

REVISION: 06/12/2009



NOTES:
 1. N/S = NOT SHOWN
 2. UPPER PORTION OF SEAT NOT SHOWN

ITEM NO.	QTY.	PART NO.	DESCRIPTION	ITEM NO.	QTY.	PART NO.	DESCRIPTION
1A N/S	1	TRC0635	TILT ARM REST SELECTION	12	2	TRH0107	5/16" FLAT WASHER
1B N/S	1	TRC0659	RECLINE ARM REST SELECTION	13	12	TRH0115	1/4" LOCK WASHER
2 N/S	1	TRC0815	HEADREST SELECTION	14	6	TRH0116	1/2" NYLON WASHER
3A N/S	1	TRC0575	ARMREST CONTROL MOUNTING ASS'Y, PUSH BUTTON	15	2	TRH0122	3/8" LOCK WASHER
3B N/S	1	TRC0576	ARMREST CONTROL MOUNTING ASS'Y, TOGGLE SWITCH	16	4	TRH0201	1/4-20 NYLOC NUT
4	1	TRC1087	MAIN ASS'Y	17	4	TRH0204	3/8-16 NYLOC NUT
5	1	TRX5429	BARIATRIC INTERFACE WLD	18	2	TRH0206	5/16-18 NYLOC NUT
6	1	TRX5431	ADAPTER PLATE	19	10	TRH0303	1/4-20 x 1" HEX HEAD CAP SCREW
7	1	TRX5614	FRONT POST WLD, RIGHT	20	2	TRH0306	1/4-20 x 3/4" HEX HEAD CAP SCREW
8	1	TRX5615	FRONT POST WLD, LEFT	21	4	TRH0442	3/8-16 x 1" FLAT SOCKET CAP SCREW
9	2	TRX5616	REAR POST	22	4	TRH0483	1/4-20 x 1 3/4" SOCKET HEAD CAP SCREW GR8
10 N/S	1	TRM0464	SYL-GLIDE, PACKET	23	2	TRH0507	5/16-18 x 7/8" HEX HEAD CAP SCREW
11	14	TRH0101	1/4" FLAT WASHER	24	2	TRH0536	3/8-16 x 3/4" SOCKET HEAD CAP SCREW GR8