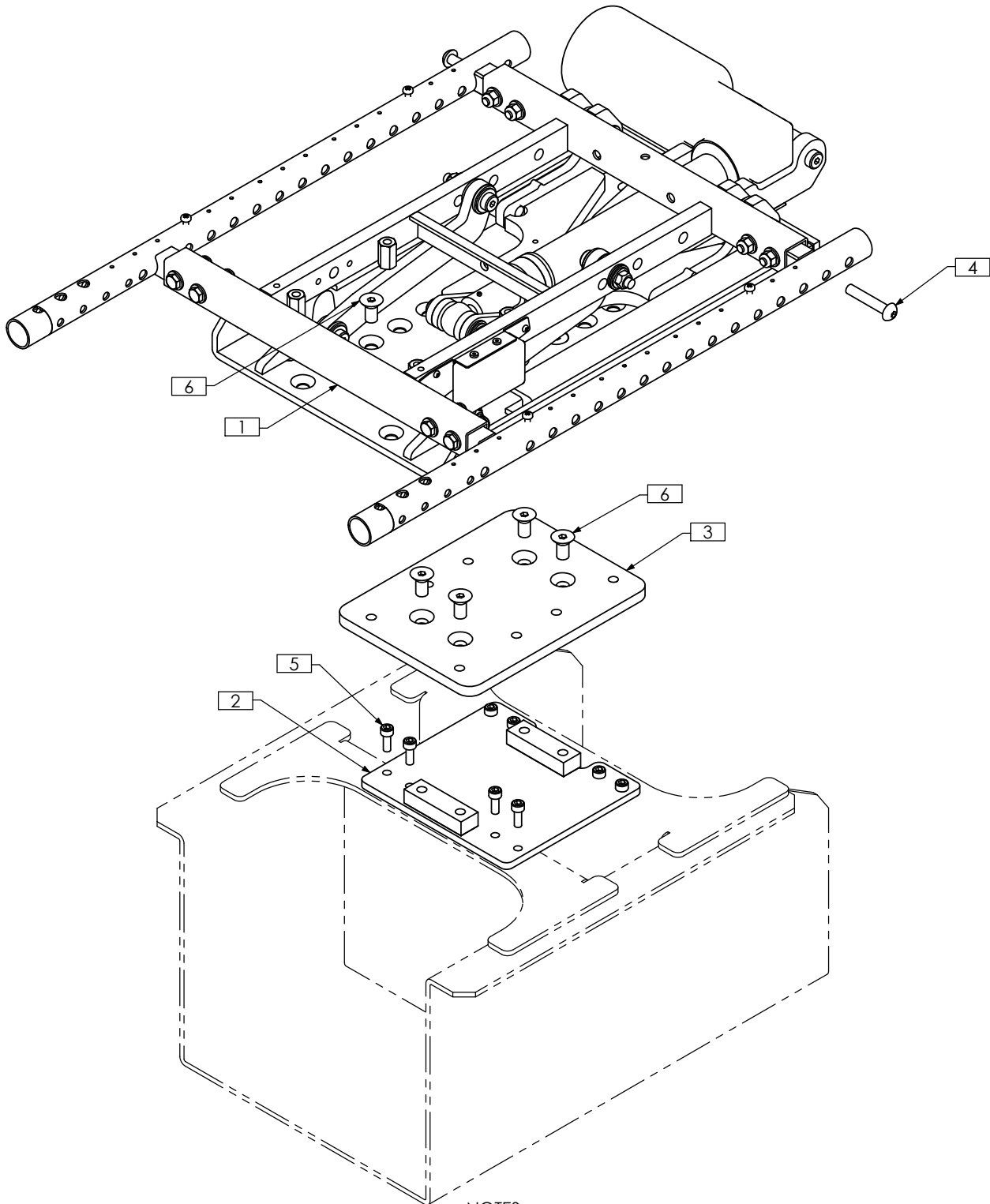


**P E R M O B I L  
P O W E R B A S E  
I N T E R F A C E S**



# TRI117 - INSTALLATION OVERVIEW, C300, ULTRA LOW CGT, REHAB SEAT

REVISION: 04/21/2009



NOTES:  
1. SEAT PAN NOT SHOWN

ITEM NO.	QTY.	PART NO.	DESCRIPTION
1	1	TRC0542	SEAT INTERFACE
2	1	TRX3256	LOWER MOUNTING PLATE WELD
3	1	TRX3259	UPPER MOUNTING PLATE
4	2	TRH0321	5/16-18 x 1 3/4" BUTTON SOCKET CAP SCREW
5	8	TRH0570	M6 X 16 SOCKET HEAD CAP SCREW GR8
6	8	TRH0572	3/8 -16 x 3/4" FLAT SOCKET CAP SCREW