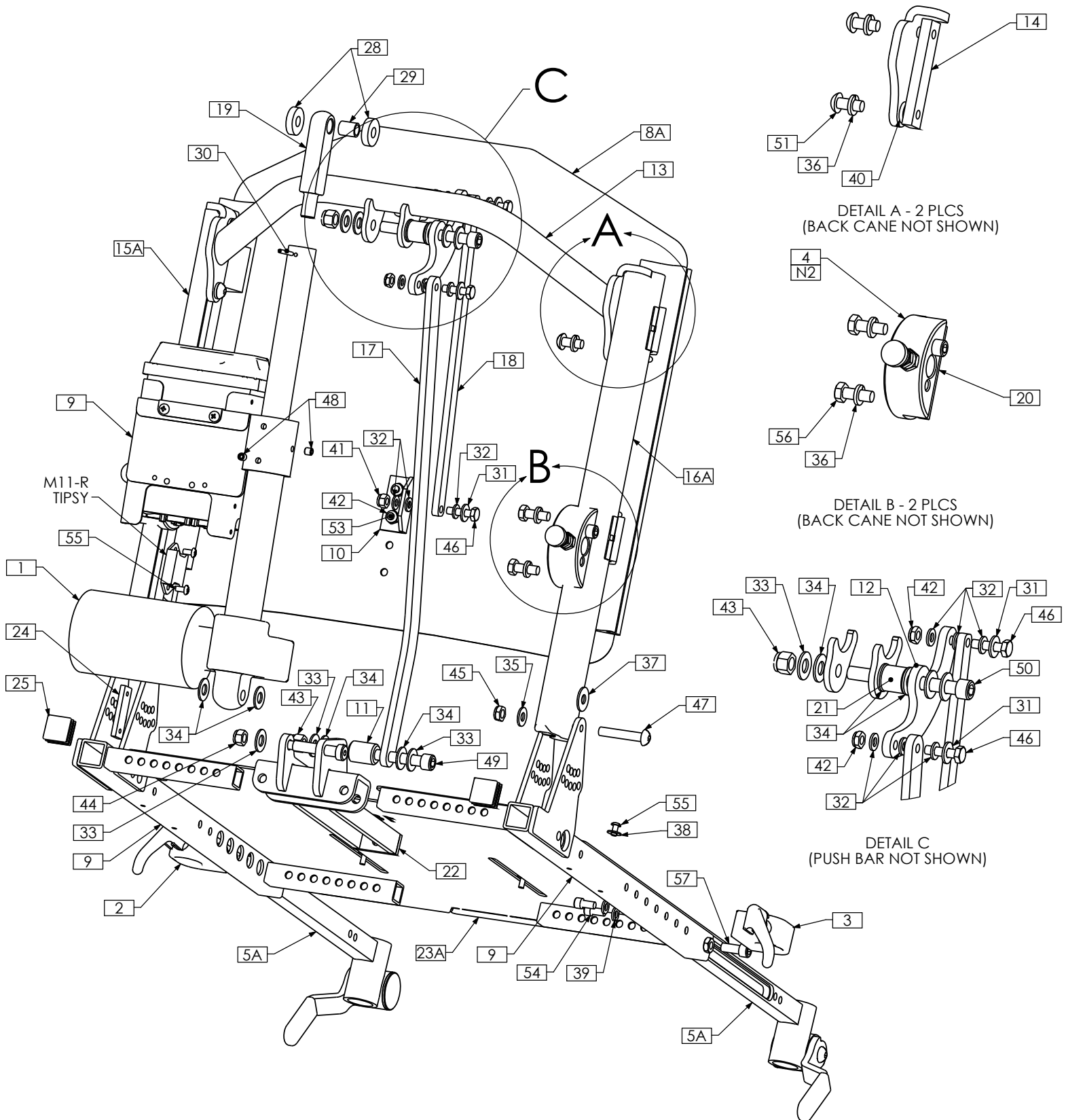


U P P E R S E A T I N G
R E C L I N E
&
E X T E N D E D S H E A R
R E D U C T I O N



TRC0531 - UPPER SEAT ASS'Y, RECLINE AND ESR, ADJUSTABLE SEAT DEPTH

REVISION: 07/02/2009



SEAT PANS OF SIZE 19W X 21D AND LARGER WILL REQUIRE THE SEAT DEPTH EXTENSION KIT - TRC0313

TRC0531 - UPPER SEAT ASS'Y, RECLINE AND ESR, ADJUSTABLE SEAT DEPTH

REVISION: 07/02/2009

ITEM NO.	QTY.	PART NO.	DESCRIPTION
1	1	TRA0489	ACTUATOR, 5" STROKE
2	1	TRC0243	FRONT ARMREST RECEIVER ASS'Y, LEFT
3	1	TRC0244	FRONT ARMREST RECEIVER ASS'Y, RIGHT
4	2	TRC0329	REAR ARMREST RECEIVER ASS'Y
5A	1	TRC0535	LEGREST RECEIVER SELECTION
5B N/S	1	TRC0552	CENTER MOUNT LEGREST RECEIVER SELECTION
6 N/S	1	TRC0313	SEAT DEPTH EXTENSION KIT
7	1	TRC0607	ADJUSTABLE DEPTH SEAT SIDE FRAME SELECTION
8A	1	TRC1031	CURVED REHAB BACK, RECLINE AND ESR
8B N/S	1	TRC1048	RECESSED PLANAR MODULAR BACK
8C N/S	1	TRC1066	CONTOUR BACK, RECLINE AND ESR
9	1	TRC1073	RELAY BOX MOUNT ASS'Y
10	1	TRX0194	ESR BRACKET, BACK PAN
11	1	TRX0332	SPACER
12	1	TRX0613	PIVOT PLATE
13	1	TRX0640	PUSH BAR WLD
14	2	TRX0679	CLAMPING BAR
15A	1	TRX0709	EXTRUDED BACK CANE ASS'Y, 19"-22", LEFT
15B N/S	1	TRX0711	EXTRUDED BACK CANE ASS'Y, 23"-27", LEFT
16A	1	TRX0710	EXTRUDED BACK CANE ASS'Y, 19"-22", RIGHT
16B N/S	1	TRX0712	EXTRUDED BACK CANE ASS'Y, 23" - 27", RIGHT
17	1	TRX0716	ESR ANGLED LINK
18	1	TRX0717	ESR BACK PAN LINK
19	1	TRX1148-388	ROD END
20	2	TRX1561	CLAMPING BAR
21	1	TRX1850	SPACER
22	1	TRX3082	RECLINE BRACKET WLD
23A	1	TRX3262	SEAT PAN, 16DP - 19DP
23B N/S	1	TRX3261	SEAT PAN, 14DP - 17DP
23C N/S	1	TRX3357	SEAT PAN, 19DP - 22DP
24	1	TRX5494	CLAMPING BAR
25	2	TRM0107	SQUARE TUBE CAP
26 N/S	1	TRM0208	BACK FLAP, VARIOUS SIZES
27 N/S	1	TRM0215	RECLINE ACTUATOR SHROUD, HELIX
28	2	TRM0648-250	SPACER, 3/8" ID X 1" OD X 1/4" THK
29	1	TRH0005	3/8"ID x 1/2"OD x 5/8" BRONZE BUSHING
30	1	TRH0034	SLOTTED SPRING, TENSION PIN 0.125 x 1.125
31	3	TRH0101	1/4" FLAT WASHER
32	9	TRH0102	1/4" NYLON WASHER
33	5	TRH0104	3/8" FLAT WASHER
34	8	TRH0105	3/8" NYLON WASHER
35	2	TRH0107	5/16" FLAT WASHER
36	8	TRH0108	5/16" LOCK WASHER
37	4	TRH0109	5/16" NYLON WASHER
38	4	TRH0114	3/16" FLAT WASHER
39	4	TRH0115	1/4" LOCK WASHER
40	2	TRH0124	5/16" x 5/8"OD x 0.120" TH FLAT WASHER
41	1	TRH0201	1/4-20 NYLOC NUT
42	4	TRH0202	1/4-20 SHALLOW NYLOC NUT
43	2	TRH0204	3/8-16 NYLOC NUT
44	1	TRH0206	5/16-18 NYLOC NUT
45	2	TRH0207	5/16-18 SHALLOW NYLOC NUT
46	3	TRH0303	1/4-20 x 1" HEX HEAD CAP SCREW
47	2	TRH0321	5/16-18 x 1 3/4" BUTTON SOCKET CAP SCREW
48	2	TRH0336	SET SCREW, 0.25 x 0.25
49	1	TRH0348	3/8-16 x 2 1/4" SOCKET HEAD CAP SCREW GR8
50	1	TRH0387	3/8-16 x 3 1/2" SOCKET HEAD CAP SCREW GR8
51	4	TRH0421	5/16-18 x 3/4" BUTTON SOCKET CAP SCREW
52	1	TRH0443	3/8 x 1 3/4" SOCKET HEAD SHOULDER BOLT
53	2	TRH0454	1/4-20 x 1/2" PHILLIPS TRUSS MACHINE SCREW
54	4	TRH0459	1/4-20 x 1/2" SOCKET HEAD CAP SCREW GR8
55	6	TRH0475	#10-32 x 3/8" BUTTON SOCKET CAP SCREW
56	4	TRH0507	5/16-18 x 7/8" HEX HEAD CAP SCREW
57	2	TRH0517	5/16-24 x 3/4" SOCKET HEAD CAP SCREW GR8

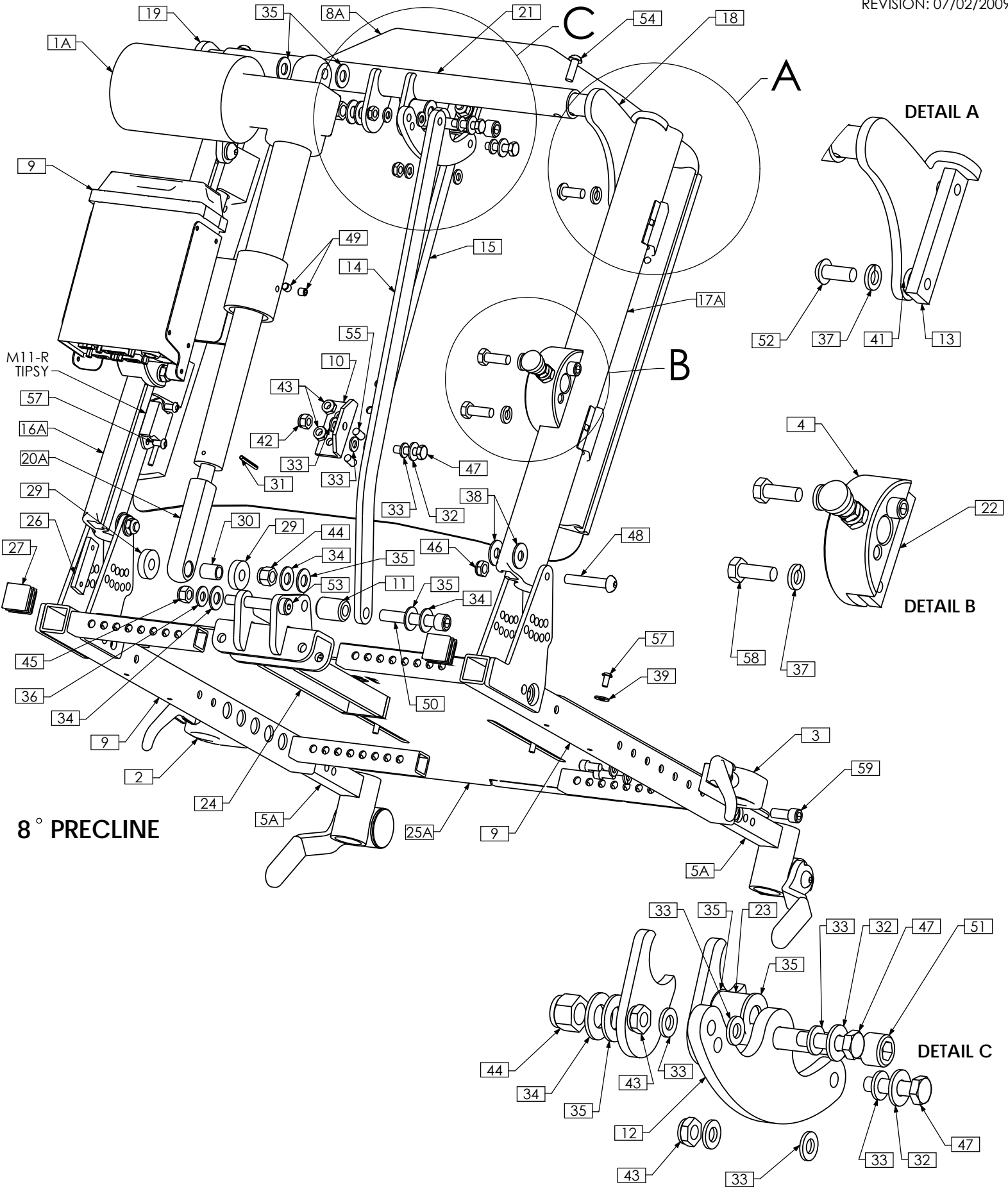
NOTES:

1. N/S = NOT SHOWN

2. SEE TRC0329 FOR EXTENDED REAR RECEIVER ASS'Y USED WITH LATERALS

TRC0959 - UPPER SEAT ASS'Y, PRECLINE AND ESR, ADJUSTABLE SEAT DEPTH

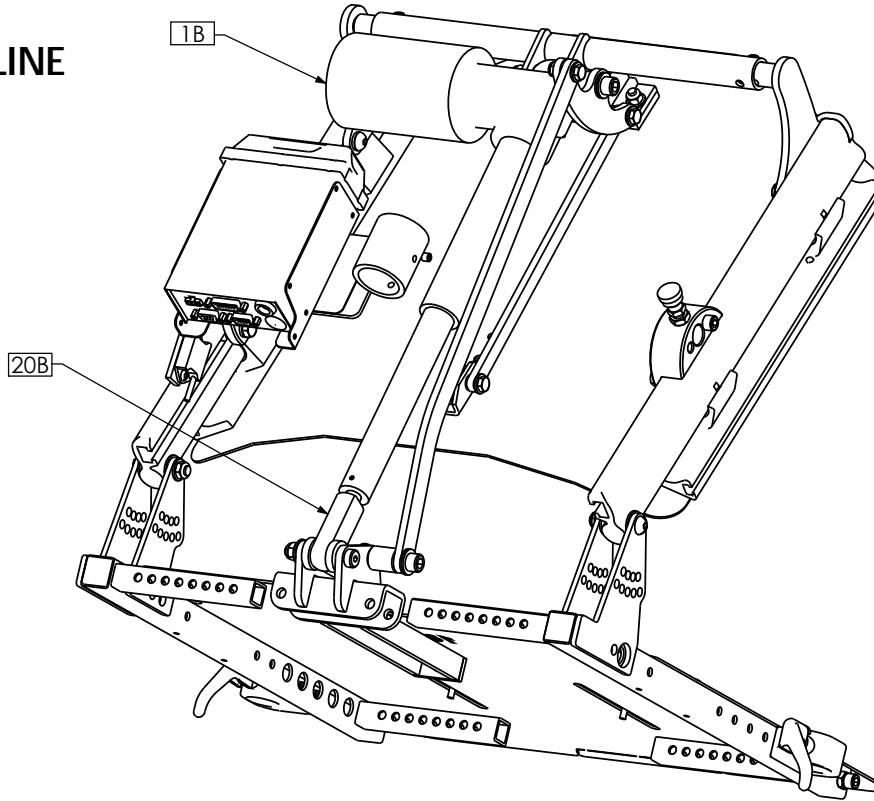
REVISION: 07/02/2009



TRC0959 - UPPER SEAT ASS'Y, PRECLINE AND ESR, ADJUSTABLE SEAT DEPTH

REVISION: 07/02/2009

30° PRECLINE

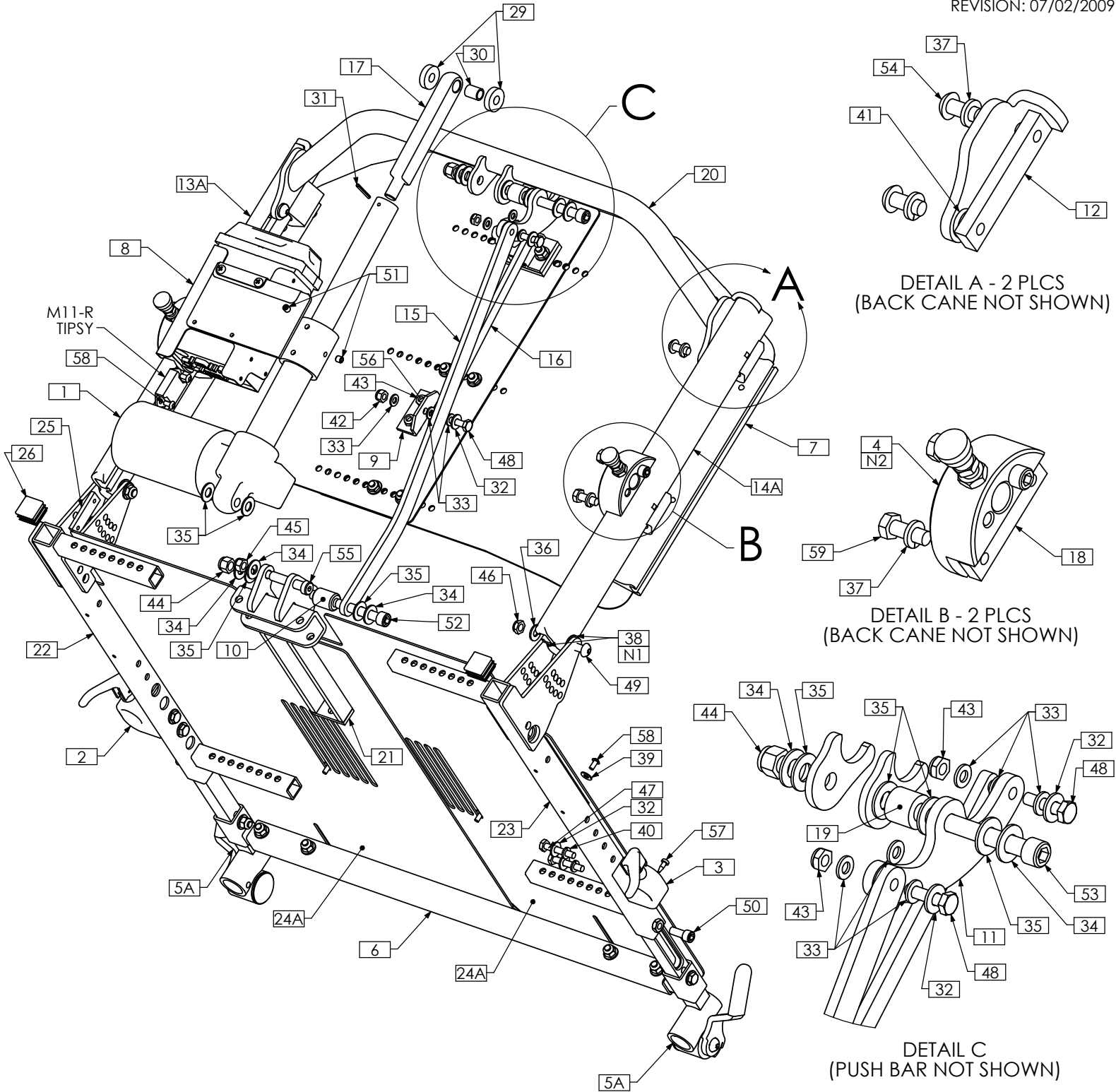


NOTES:
1. N/S = NOT SHOWN

ITEM NO.	QTY.	PART NO.	DESCRIPTION	ITEM NO.	QTY.	PART NO.	DESCRIPTION
1A	1	TRA0660	ACTUATOR, 4" STROKE	26	1	TRX5494	CLAMPING BAR
1B	1	TRA0489	ACTUATOR, 5" STROKE	27	2	TRM0107	SQUARE TUBE CAP
2	1	TRC0243	FRONT ARMREST RECEIVER ASS'Y, LEFT	28 N/S	1	TRM0208	BACK FLAP, VARIOUS SIZES
3	1	TRC0244	FRONT ARMREST RECEIVER ASS'Y, RIGHT	29	2	TRM0648-250	SPACER, 3/8" ID X 1" OD X 1/4" THK
4	2	TRC0329	REAR ARMREST RECEIVER ASS'Y	30	1	TRH0005	3/8" ID x 1/2" OD x 5/8" BRONZE BUSHING
5A	1	TRC0535	LEGREST RECEIVER SELECTION	31	1	TRH0034	SLOTTED SPRING, TENSION PIN 0.125 x 1.125
5B N/S	1	TRC0552	CENTER MOUNT LEGREST RECEIVER SELECTION	32	3	TRH0101	1/4" FLAT WASHER
6 N/S	1	TRC0313	SEAT DEPTH EXTENSION KIT	33	9	TRH0102	1/4" NYLON WASHER
7	1	TRC0607	ADJUSTABLE DEPTH SEAT SIDE FRAME SELECTION	34	5	TRH0104	3/8" FLAT WASHER
8A	1	TRC1031	CURVED REHAB BACK, RECLINE AND ESR	35	8	TRH0105	3/8" NYLON WASHER
8B N/S	1	TRC1048	RECESSED PLANAR MODULAR BACK	36	3	TRH0107	5/16" FLAT WASHER
8C N/S	1	TRC1066	CONTOUR BACK, RECLINE AND ESR	37	8	TRH0108	5/16" LOCK WASHER
9	1	TRC1073	RELAY BOX MOUNT ASS'Y	38	4	TRH0109	5/16" NYLON WASHER
10	1	TRX0194	ESR BRACKET, BACK PAN	39	4	TRH0114	3/16" FLAT WASHER
11	1	TRX0332	SPACER	40	4	TRH0115	1/4" LOCK WASHER
12	1	TRX0613	PIVOT PLATE	41	2	TRH0124	5/16" x 5/8" OD x 0.120" TH FLAT WASHER
13	2	TRX0679	CLAMPING BAR	42	1	TRH0201	1/4-20 NYLOC NUT
14A	1	TRX0709	EXTRUDED BACK CANE ASS'Y, 19"-22", LEFT	43	4	TRH0202	1/4-20 SHALLOW NYLOC NUT
14B N/S	1	TRX0711	EXTRUDED BACK CANE ASS'Y, 23"-27", LEFT	44	2	TRH0204	3/8-16 NYLOC NUT
15A	1	TRX0710	EXTRUDED BACK CANE ASS'Y, 19"-22", RIGHT	45	1	TRH0206	5/16-18 NYLOC NUT
15B N/S	1	TRX0712	EXTRUDED BACK CANE ASS'Y, 23" - 27", RIGHT	46	2	TRH0207	5/16-18 SHALLOW NYLOC NUT
16	1	TRX0716	ESR ANGLED LINK	47	3	TRH0303	1/4-20 x 1" HEX HEAD CAP SCREW
17	1	TRX0717	ESR BACK PAN LINK	48	2	TRH0321	5/16-18 x 1 3/4" BUTTON SOCKET CAP SCREW
18	1	TRX0970	MOUNTING BRACKET, RIGHT	49	2	TRH0336	SET SCREW, 0.25 x 0.25
19	1	TRX0971	MOUNTING BRACKET, LEFT	50	1	TRH0348	3/8-16 x 2 1/4" SOCKET HEAD CAP SCREW GR8
20A	1	TRX1148-450	ROD END	51	1	TRH0387	3/8-16 x 3 1/2" SOCKET HEAD CAP SCREW GR8
20B	1	TRX1148-350	ROD END	52	4	TRH0421	5/16-18 x 3/4" BUTTON SOCKET CAP SCREW
21	1	TRX1184	CROSS TUBE ASS'Y	53	1	TRH0443	3/8 x 1 3/4" SOCKET HEAD SHOULDER BOLT
22	2	TRX1561	CLAMPING BAR	54	2	TRH0445	1/4-20 x 3/4" BUTTON SOCKET CAP SCREW
23	1	TRX1850	SPACER	55	2	TRH0454	1/4-20 x 1/2" PHILLIPS TRUSS MACHINE SCREW
24	1	TRX3082	RECLINE BRACKET WLD	56	4	TRH0459	1/4-20 x 1/2" SOCKET HEAD CAP SCREW GR8
25A	1	TRX3262	SEAT PAN, 16DP - 19DP	57	6	TRH0475	#10-32 x 3/8" BUTTON SOCKET CAP SCREW
25B N/S	1	TRX3261	SEAT PAN, 14DP - 17DP	58	4	TRH0507	5/16-18 x 7/8" HEX HEAD CAP SCREW
25C N/S	1	TRX3357	SEAT PAN, 19DP - 22DP	59	2	TRH0517	5/16-24 x 3/4" SOCKET HEAD CAP SCREW GR8

TRC1012 - UPPER SEAT ASS'Y, RECLINE AND ESR, ADJUSTABLE SEAT DEPTH, BARIATRIC

REVISION: 07/02/2009



1-PIECE SEAT PANS USED UP TO 24W. 2-PIECE SEAT PANS (AS SHOWN) USED FROM 25W UP TO 30W

TRC1012 - UPPER SEAT ASS'Y, RECLINE AND ESR, ADJUSTABLE SEAT DEPTH, BARIATRIC

REVISION: 07/02/2009

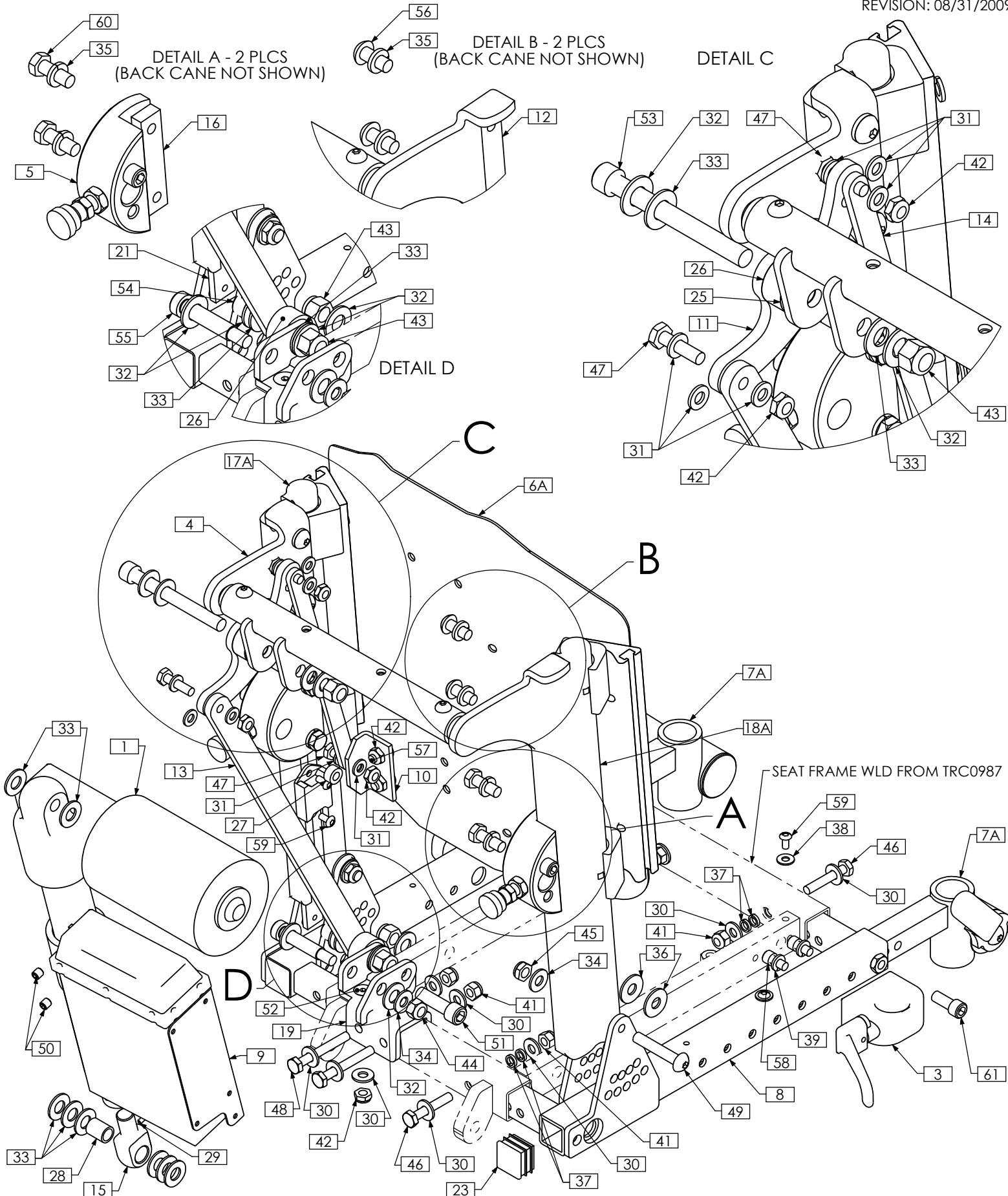
NOTES:

1. N/S = NOT SHOWN
2. SEE TRC0329 FOR EXTENDED REAR RECEIVER ASS'Y USED WITH LATERALS

ITEM NO.	QTY.	PART NO.	DESCRIPTION	ITEM NO.	QTY.	PART NO.	DESCRIPTION
1	1	TRA0660	ACTUATOR, 4" STROKE	28 N/S	1	TRM0215	RECLINE ACTUATOR SHROUD, HELIX
2	1	TRC0243	FRONT ARMREST RECEIVER ASS'Y, LEFT	29	2	TRM0648-250	SPACER, 3/8" ID X 1" OD X 1/4" THK
3	1	TRC0244	FRONT ARMREST RECEIVER ASS'Y, RIGHT	30	1	TRH0005	BUSHING 0.375 I.D X 0.500 O.D X 0.625 LG
4	2	TRC0329	REAR ARMREST RECEIVER ASS'Y	31	1	TRH0034	SLOTTED SPRING, TENSION PIN 0.125 x 1.125
5A	1	TRC0535	LEGREST RECEIVER SELECTION	32	7	TRH0101	1/4" FLAT WASHER
5B N/S	1	TRC0552	CENTER MOUNT LEGREST RECEIVER SELECTION	33	9	TRH0102	1/4" NYLON WASHER
6	1	TRC0313	SEAT DEPTH EXTENSION KIT	34	5	TRH0104	3/8" FLAT WASHER
7	1	TRC1049	CURVED RIGID BACK, RECLINE AND ESR	35	8	TRH0105	3/8" NYLON WASHER
8	1	TRC1073	RELAY BOX MOUNT ASS'Y	36	2	TRH0107	5/16" FLAT WASHER
9	1	TRX0194	ESR BRACKET, BACK PAN	37	8	TRH0108	5/16" LOCK WASHER
10	1	TRX0332	SPACER	38	4	TRH0109	5/16" NYLON WASHER
11	1	TRX0613	PIVOT PLATE	39	4	TRH0114	3/16" FLAT WASHER
12	2	TRX0679	CLAMPING BAR	40	4	TRH0115	1/4" LOCK WASHER
13A	1	TRX0709	EXTRUDED BACK CANE ASS'Y, 19"-22", LEFT	41	2	TRH0124	5/16" x 5/8" OD x 0.120" TH FLAT WASHER
13B N/S	1	TRX0711	EXTRUDED BACK CANE ASS'Y, 23"-27", LEFT	42	1	TRH0201	1/4-20 NYLOC NUT
14A	1	TRX0710	EXTRUDED BACK CANE ASS'Y, 19"-22", RIGHT	43	4	TRH0202	1/4-20 SHALLOW NYLOC NUT
14B N/S	1	TRX0712	EXTRUDED BACK CANE ASS'Y, 23" - 27", RIGHT	44	2	TRH0204	3/8-16 NYLOC NUT
15	1	TRX0716	ESR ANGLED LINK	45	1	TRH0206	5/16-18 NYLOC NUT
16	1	TRX0717	ESR BACK PAN LINK	46	2	TRH0207	5/16-18 SHALLOW NYLOC NUT
17	1	TRX1148-600	ROD END	47	4	TRH0301	1/4-20 x 1 1/2" HEX HEAD CAP SCREW
18	2	TRX1561	CLAMPING BAR	48	3	TRH0303	1/4-20 x 1" HEX HEAD CAP SCREW
19	1	TRX1850	SPACER	49	2	TRH0321	5/16-18 x 1 3/4" BUTTON SOCKET CAP SCREW
20	1	TRX2842	PUSH BAR WLD	50	2	TRH0323	5/16-18 x 3/4" SOCKET HEAD CAP SCREW GR8
21	1	TRX3082	RECLINE BRACKET WLD	51	2	TRH0336	SET SCREW, 0.25 x 0.25
22	1	TRX3285	SEAT SIDE WLD, LEFT	52	1	TRH0348	3/8-16 x 2 1/4" SOCKET HEAD CAP SCREW GR8
23	1	TRX3286	SEAT SIDE WLD, RIGHT	53	1	TRH0387	3/8-16 x 3 1/2" SOCKET HEAD CAP SCREW GR8
24A	2	TRX4743	SEAT PAN HALF, 19DP - 24DP	54	4	TRH0421	5/16-18 x 3/4" BUTTON SOCKET CAP SCREW
24B N/S	2	TRX4742	SEAT PAN HALF, 16DP - 21DP	55	1	TRH0443	3/8 x 1 3/4" SOCKET HEAD SHOULDER BOLT
24C N/S	1	TRX3357	SEAT PAN, 19DP - 22DP	56	2	TRH0454	1/4-20 x 1/2" PHILLIPS TRUSS MACHINE SCREW
24D N/S	1	TRX3262	SEAT PAN, 16DP - 19DP	57	2	TRH0463	#8-18 x 1/2" PAN PHILLIPS TEK SCREW
25	1	TRX5494	CLAMPING BAR	58	6	TRH0475	#10-32 x 3/8" BUTTON SOCKET CAP SCREW
26	2	TRM0107	SQUARE TUBE CAP	59	4	TRH0507	5/16-18 x 7/8" HEX HEAD CAP SCREW
27 N/S	1	TRM0208	BACK FLAP, VARIOUS SIZES				

TRC0871 - UPPER SEAT ASS'Y, RECLINE AND ESR, ADJUSTABLE SEAT DEPTH , PEDIATRIC

REVISION: 08/31/2009



TRC0871 - UPPER SEAT ASS'Y, RECLINE AND ESR, ADJUSTABLE SEAT DEPTH , PEDIATRIC

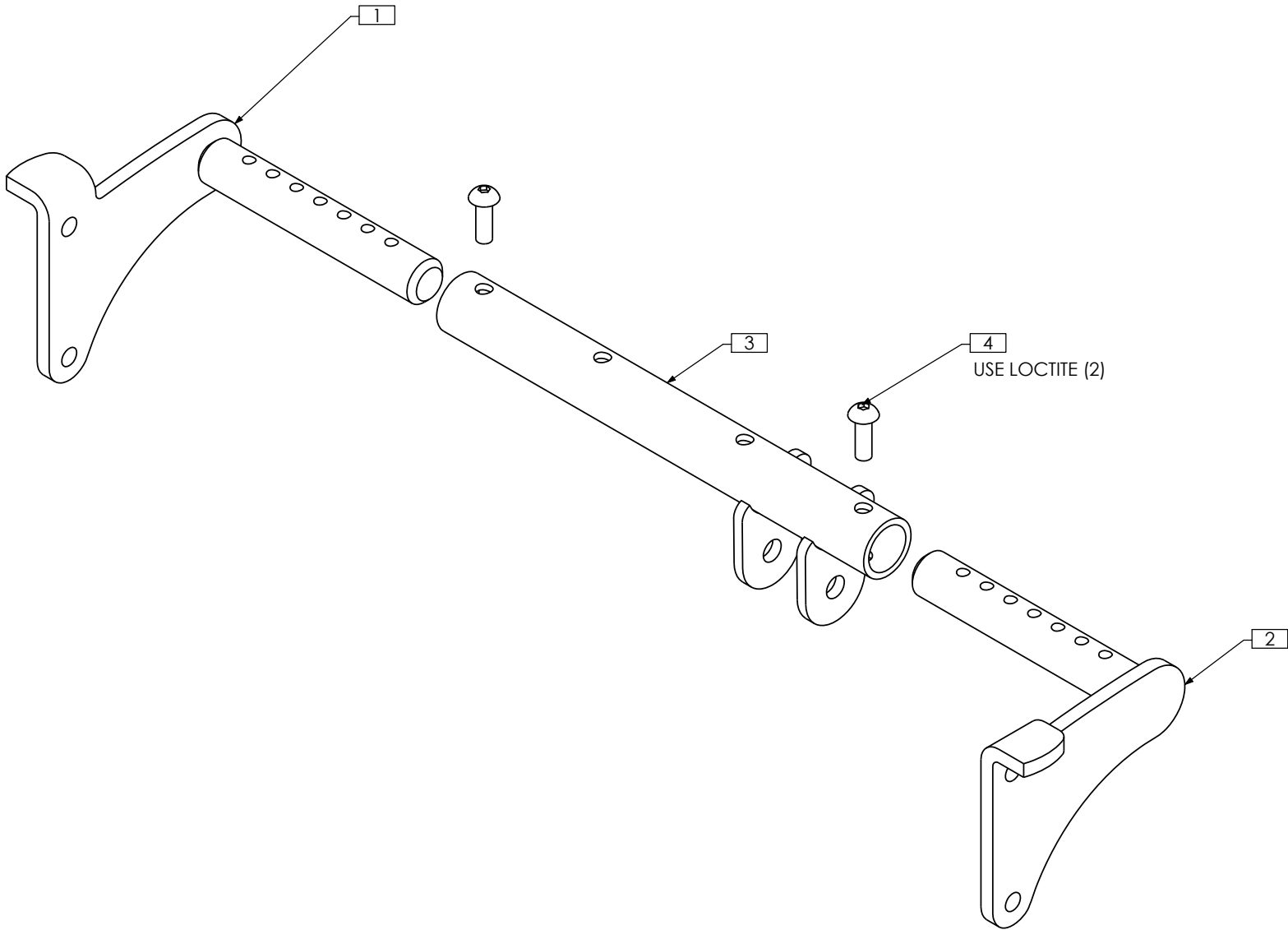
REVISION: 08/31/2009

NOTES:
1. N/S = NOT SHOWN

ITEM NO.	QTY.	PART NO.	DESCRIPTION	ITEM NO.	QTY.	PART NO.	DESCRIPTION
1	1	TRA0548	ACTUATOR, 3" STROKE	29	1	TRH0034	SLOTTED SPRING, TENSION PIN 0.125 x 1.125
2 N/S	1	TRC0243	FRONT ARMREST RECEIVER ASS'Y, LEFT	30	11	TRH0101	1/4" FLAT WASHER
3	1	TRC0244	FRONT ARMREST RECEIVER ASS'Y, RIGHT	31	8	TRH0102	1/4" NYLON WASHER
4	1	TRC0246	PUSH BAR ASS'Y	32	7	TRH0104	3/8" FLAT WASHER
5	2	TRC0329	REAR ARMREST RECEIVER ASS'Y	33	12	TRH0105	3/8" NYLON WASHER
6A	1	TRC1031	CURVED REHAB BACK, RECLINE AND ESR	34	3	TRH0107	5/16" FLAT WASHER
6B N/S	1	TRC1048	RECESSED PLANAR MODULAR BACK	35	8	TRH0108	5/16" LOCK WASHER
7A	1	TRC0535	LEGREST RECEIVER SELECTION	36	4	TRH0109	5/16" NYLON WASHER
7B N/S	1	TRC0552	CENTER MOUNT LEGREST RECEIVER SELECTION	37	6	TRH0113	1/4" HI COLLAR LOCK WASHER
8	1	TRC0607	ADJUSTABLE DEPTH SEAT SIDE FRAME SELECTION	38	4	TRH0114	3/16" FLAT WASHER
9	1	TRC1073	RELAY BOX MOUNT ASS'Y	39	4	TRH0115	1/4" LOCK WASHER
10	1	TRX0194	ESR BRACKET, BACK PAN	40 N/S	2	TRH0124	5/16" x 5/8" OD x 0.120" TH FLAT WASHER
11	1	TRX0613	PIVOT PLATE	41	5	TRH0201	1/4-20 NYLOC NUT
12	2	TRX0679	CLAMPING BAR	42	6	TRH0202	1/4-20 SHALLOW NYLOC NUT
13	1	TRX0975	ESR LINK	43	3	TRH0204	3/8-16 NYLOC NUT
14	1	TRX0994	BACK PAN LINK	44	1	TRH0206	5/16-18 NYLOC NUT
15	1	TRX1148-200	ROD END	45	2	TRH0207	5/16-18 SHALLOW NYLOC NUT
16	2	TRX1561	CLAMPING BAR	46	3	TRH0301	1/4-20 x 1 1/2" HEX HEAD CAP SCREW
17A	1	TRX1075	EXTRUDED BACK CANE ASS'Y, PEDIATRIC, LEFT	47	3	TRH0303	1/4-20 x 1" HEX HEAD CAP SCREW
17B N/S	1	TRX2755	EXTENDED BACK CANE ASSEMBLY, LEFT	48	2	TRH0305	1/4-20 x 2" HEX HEAD CAP SCREW
18A	1	TRX1074	EXTRUDED BACK CANE ASS'Y, PEDIATRIC, RIGHT	49	2	TRH0321	5/16-18 x 1 3/4" BUTTON SOCKET CAP SCREW
18B N/S	1	TRX2757	EXTENDED BACK CANE ASSEMBLY, RIGHT	50	2	TRH0336	SET SCREW, 0.25 x 0.25
19	1	TRX3703	RECLINE BRKT WLD	51	1	TRH0347	3/8-16 x 1 1/4" SOCKET HEAD CAP SCREW GR8
20A N/S	1	TRX3656	SEAT PAN, 10DP - 13DP	52	1	TRH0377	1/4-20 x 1 1/2" FLAT SOCKET CAP SCREW
20B N/S	1	TRX3661	SEAT PAN, 14DP - 17DP	53	1	TRH0387	3/8-16 x 3 1/2" SOCKET HEAD CAP SCREW GR8
20C N/S	1	TRX3662	SEAT PAN, 10DP - 13DP	54	1	TRH0403	3/8-16 x 1 3/4" SOCKET HEAD CAP SCREW GR8
21	1	TRX5494	CLAMPING BAR	55	1	TRH0413	3/8 x 1 1/2" SOCKET HEAD SHOULDER BOLT
22 N/S	1	TRM0010	RECLINE ACTUATOR BOOT	56	4	TRH0421	5/16-18 x 3/4" BUTTON SOCKET CAP SCREW
23	2	TRM0107	SQUARE TUBE CAP	57	2	TRH0454	1/4-20 x 1/2" PHILLIPS TRUSS MACHINE SCREW
24 N/S	1	TRM0208	BACK FLAP, VARIOUS SIZES	58	4	TRH0459	1/4-20 x 1/2" SOCKET HEAD CAP SCREW GR8
25	1	TRM0648-250	SPACER, 3/8" ID X 1" OD X 1/4" THK	59	6	TRH0475	#10-32 x 3/8" BUTTON SOCKET CAP SCREW
26	2	TRM0648-500	SPACER, 3/8" ID X 1" OD X 1/2" LONG	60	4	TRH0507	5/16-18 x 7/8" HEX HEAD CAP SCREW
27	1	TTM0090	1/4" ID X 1/2" OD X 1/4" THK NYLON SPACER	61	2	TRH0517	5/16-24 x 3/4" SOCKET HEAD CAP SCREW GR8
28	1	TRH0005	3/8" ID x 1/2" OD x 5/8" BRONZE BUSHING				

TRC0246 - PUSH BAR ASS'Y, PEDIATRIC

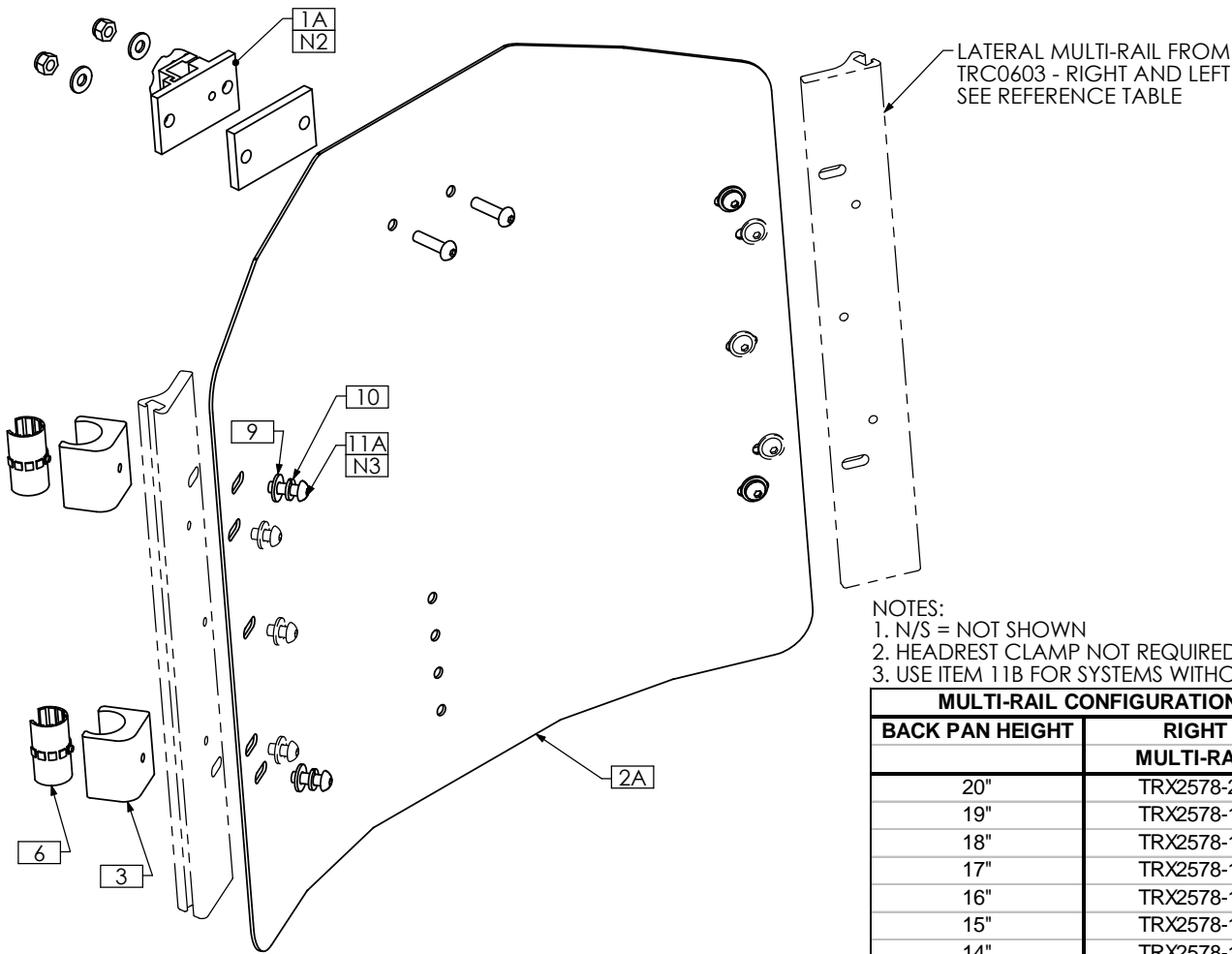
REVISION: 08/31/2009



ITEM NO.	QTY.	PART NO.	DESCRIPTION
1	1	TRX0970	MOUNTING BRACKET, RIGHT
2	1	TRX0971	MOUNTING BRACKET, LEFT
3	1	TRX1988	CROSS TUBE ASS'Y
4	2	TRH0445	1/4"-20 x 3/4" BUTTON SOCKET CAP SCREW

TRC1031 - CURVED REHAB BACK, RECLINE AND ESR

REVISION: 03/23/2009



- NOTES:
 1. N/S = NOT SHOWN
 2. HEADREST CLAMP NOT REQUIRED BASIC ONYX HEADRESTS
 3. USE ITEM 11B FOR SYSTEMS WITHOUT MULTI-RAILS

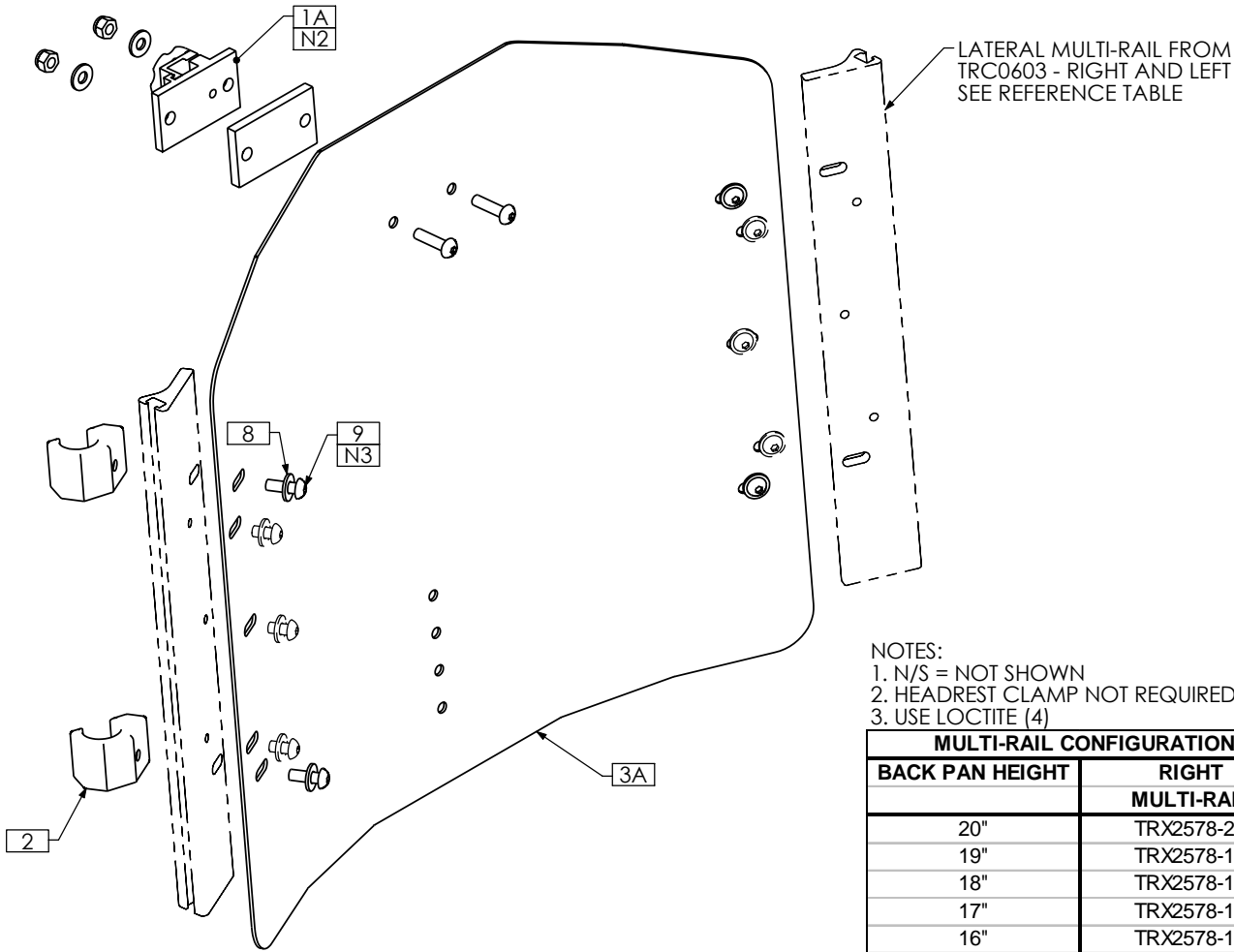
MULTI-RAIL CONFIGURATION HEIGHT REFERENCE		
BACK PAN HEIGHT	RIGHT	LEFT
	MULTI-RAIL	MULTI-RAIL
20"	TRX2578-20	TRX2579-20
19"	TRX2578-19	TRX2579-19
18"	TRX2578-18	TRX2579-18
17"	TRX2578-17	TRX2579-17
16"	TRX2578-16	TRX2579-16
15"	TRX2578-15	TRX2579-15
14"	TRX2578-14	TRX2579-14
13"	TRX3033-13	TRX3033-13
12"	TRX3033-12	TRX3033-12

Steel Curved Back	20" High	19" High	18" High	17" High	16" High	15" High	14" High	13" High	12" High
21" Wide	N/A	N/A	N/A	N/A	N/A	TRX2632-2115	TRX2632-2114	N/A	N/A
20" Wide	TRX2632-2020	TRX2632-2019	TRX2632-2018	TRX2632-2017	TRX2632-2016	TRX2632-2015	TRX2632-2014	N/A	N/A
19" Wide	TRX2632-1920	TRX2632-1919	TRX2632-1918	TRX2632-1917	TRX2632-1916	TRX2632-1915	TRX2632-1914	N/A	N/A
18" Wide	TRX2632-1820	TRX2632-1819	TRX2632-1818	TRX2632-1817	TRX2632-1816	TRX2632-1815	TRX2632-1814	TRX2636-1813	TRX2636-1812
17" Wide	TRX2632-1720	TRX2632-1719	TRX2632-1718	TRX2632-1717	TRX2632-1716	TRX2632-1715	TRX2632-1714	TRX2636-1713	TRX2636-1712
16" Wide	TRX2632-1620	TRX2632-1619	TRX2632-1618	TRX2632-1617	TRX2632-1616	TRX2632-1615	TRX2632-1614	TRX2636-1613	TRX2636-1612
15" Wide	TRX2632-1520	TRX2632-1519	TRX2632-1518	TRX2632-1517	TRX2632-1516	TRX2632-1515	TRX2632-1514	TRX2636-1513	TRX2636-1512
14" Wide	TRX3035-1420	TRX3035-1419	TRX3035-1418	TRX3035-1417	TRX3035-1416	TRX3035-1415	TRX3035-1414	TRX3034-1413	TRX3034-1412
13" Wide	N/A	N/A	N/A	N/A	TRX3037-1316	TRX3037-1315	TRX3037-1314	TRX3036-1313	TRX3036-1312
12" Wide	N/A	N/A	N/A	N/A	TRX3039-1216	TRX3039-1215	TRX3039-1214	TRX3038-1213	TRX3038-1212

ITEM NO.	QTY.	PART NO.	DESCRIPTION	ITEM NO.	QTY.	PART NO.	DESCRIPTION
1A	1	TRC0787	HEADREST CLAMP ASS'Y w/ SHIM	3	4	TRX5236	ESR GLIDE BLOCK
1B N/S	1	TRC0786	HEADREST CLAMP ASS'Y	4 N/S	AS REQ	TRM0603	VELCRO - 1" HOOK
1C N/S	1	TRC0788	HEADREST CLAMP ASS'Y	5 N/S	AS REQ	TRM0604	VELCRO - 2" HOOK
2A	1	TRX2632	BACK PAN, 15W - 21W, 14H - 20H	6	4	TRM0761	DRYLIN SLEEVE, IGUS JUIO-01-12
2B N/S	1	TRX2636	BACK PAN, 15W - 18W, 12H - 13H	7 N/S	1	TRS0029	CURVED STEEL BACK COVER
2C N/S	1	TRX3035	BACK PAN, 14W, 14H - 20H	8 N/S	1	TRS0051	CURVED STEEL BACK FOAM PAD
2D N/S	1	TRX3034	BACK PAN, 14W, 12H - 13H	9	4	TRH0101	1/4" FLAT WASHER
2E N/S	1	TRX3037	BACK PAN, 13W, 14H - 16H	10	4	TRH0115	1/4" LOCK WASHER
2F N/S	1	TRX3036	BACK PAN, 13W, 12H - 13H	11A	4	TRH0445	1/4-20 x 3/4" BUTTON SOCKET CAP SCREW
2G N/S	1	TRX3039	BACK PAN, 12W, 14H - 16H	11B N/S	4	TRH0429	1/4-20 x 1/2" BUTTON SOCKET CAP SCREW
2H N/S	1	TRX3038	BACK PAN, 12W, 12H - 13H				

TRC0491 - CURVED RIGID BACK, RECLINE AND ESR, STEEL

REVISION: 01/07/2008



- NOTES:
 1. N/S = NOT SHOWN
 2. HEADREST CLAMP NOT REQUIRED BASIC ONYX HEADRESTS
 3. USE LOCTITE (4)

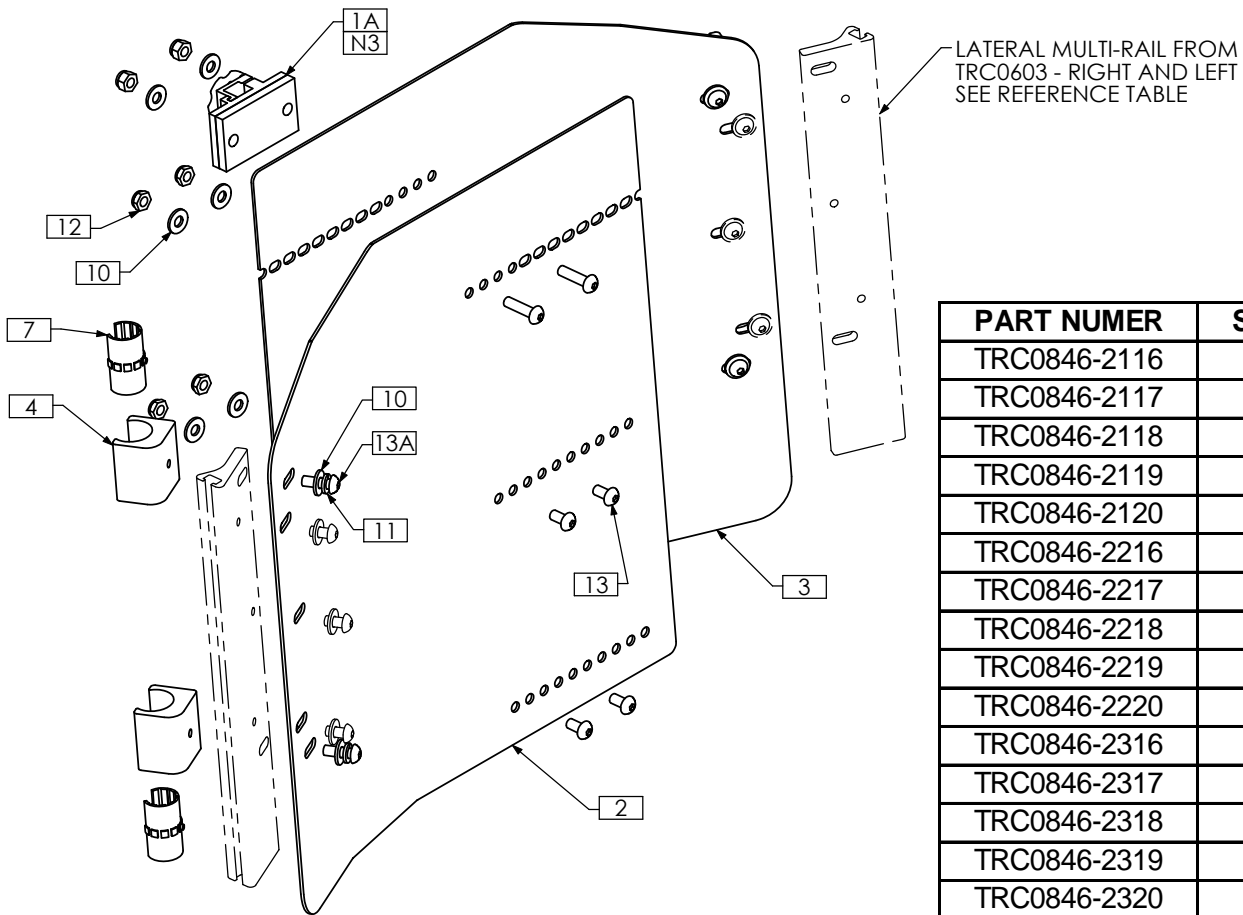
MULTI-RAIL CONFIGURATION HEIGHT REFERENCE		
BACK PAN HEIGHT	RIGHT MULTI-RAIL	LEFT MULTI-RAIL
20"	TRX2578-20	TRX2579-20
19"	TRX2578-19	TRX2579-19
18"	TRX2578-18	TRX2579-18
17"	TRX2578-17	TRX2579-17
16"	TRX2578-16	TRX2579-16
15"	TRX2578-15	TRX2579-15
14"	TRX2578-14	TRX2579-14
13"	TRX3033-13	TRX3033-13
12"	TRX3033-12	TRX3033-12

Steel Curved Back	20" High	19" High	18" High	17" High	16" High	15" High	14" High	13" High	12" High
21" Wide	N/A	N/A	N/A	N/A	N/A	TRX2632-2115	TRX2632-2114	N/A	N/A
20" Wide	TRX2632-2020	TRX2632-2019	TRX2632-2018	TRX2632-2017	TRX2632-2016	TRX2632-2015	TRX2632-2014	N/A	N/A
19" Wide	TRX2632-1920	TRX2632-1919	TRX2632-1918	TRX2632-1917	TRX2632-1916	TRX2632-1915	TRX2632-1914	N/A	N/A
18" Wide	TRX2632-1820	TRX2632-1819	TRX2632-1818	TRX2632-1817	TRX2632-1816	TRX2632-1815	TRX2632-1814	TRX2636-1813	TRX2636-1812
17" Wide	TRX2632-1720	TRX2632-1719	TRX2632-1718	TRX2632-1717	TRX2632-1716	TRX2632-1715	TRX2632-1714	TRX2636-1713	TRX2636-1712
16" Wide	TRX2632-1620	TRX2632-1619	TRX2632-1618	TRX2632-1617	TRX2632-1616	TRX2632-1615	TRX2632-1614	TRX2636-1613	TRX2636-1612
15" Wide	TRX2632-1520	TRX2632-1519	TRX2632-1518	TRX2632-1517	TRX2632-1516	TRX2632-1515	TRX2632-1514	TRX2636-1513	TRX2636-1512
14" Wide	TRX3035-1420	TRX3035-1419	TRX3035-1418	TRX3035-1417	TRX3035-1416	TRX3035-1415	TRX3035-1414	TRX3034-1413	TRX3034-1412
13" Wide	N/A	N/A	N/A	N/A	TRX3037-1316	TRX3037-1315	TRX3037-1314	TRX3036-1313	TRX3036-1312
12" Wide	N/A	N/A	N/A	N/A	TRX3039-1216	TRX3039-1215	TRX3039-1214	TRX3038-1213	TRX3038-1212

ITEM NO.	QTY.	PART NO.	DESCRIPTION	ITEM NO.	QTY.	PART NO.	DESCRIPTION
1A	1	TRC0787	HEADREST CLAMP ASS'Y w/ SHIM	3F N/S	1	TRX3036	BACK PAN, 13W, 12H - 13H
1B N/S	1	TRC0786	HEADREST CLAMP ASS'Y	3G N/S	1	TRX3039	BACK PAN, 12W, 14H - 16H
1C N/S	1	TRC0788	HEADREST CLAMP ASS'Y	3H N/S	1	TRX3038	BACK PAN, 12W, 12H - 13H
2	4	TRX2277	ESR GLIDE BLOCK ASS'Y, MULTI-RAIL, FULL HEIGHT	4 N/S	AS REQ	TRM0603	VELCRO - 1" HOOK
3A	1	TRX2632	BACK PAN, 15W - 21W, 14H - 20H	5 N/S	AS REQ	TRM0604	VELCRO - 2" HOOK
3B N/S	1	TRX2636	BACK PAN, 15W - 18W, 12H - 13H	6 N/S	1	TRS0029	CURVED STEEL BACK COVER
3C N/S	1	TRX3035	BACK PAN, 14W, 14H - 20H	7 N/S	1	TRS0051	CURVED STEEL BACK FOAM PAD
3D N/S	1	TRX3034	BACK PAN, 14W, 12H - 13H	8	4	TRH0101	1/4" FLAT WASHER
3E N/S	1	TRX3037	BACK PAN, 13W, 14H - 16H	9	4	TRH0445	1/4-20 x 3/4" BUTTON SOCKET CAP SCREW

TRC1049 - CURVED RIGID BACK, RECLINE AND ESR, BARIATRIC

REVISION: 03/23/2009



PART NUMBER	SIZE CONFIGURATION
TRC0846-2116	21W X 16H
TRC0846-2117	21W X 17H
TRC0846-2118	21W X 18H
TRC0846-2119	21W X 19H
TRC0846-2120	21W X 20H
TRC0846-2216	22W X 16H
TRC0846-2217	22W X 17H
TRC0846-2218	22W X 18H
TRC0846-2219	22W X 19H
TRC0846-2220	22W X 20H
TRC0846-2316	23W X 16H
TRC0846-2317	23W X 17H
TRC0846-2318	23W X 18H
TRC0846-2319	23W X 19H
TRC0846-2320	23W X 20H
TRC0846-2416	24W X 16H
TRC0846-2417	24W X 17H
TRC0846-2418	24W X 18H
TRC0846-2419	24W X 19H
TRC0846-2420	24W X 20H
TRC0846-2516	25W X 16H
TRC0846-2517	25W X 17H
TRC0846-2518	25W X 18H
TRC0846-2519	25W X 19H
TRC0846-2520	25W X 20H
TRC0846-2616	26W X 16H
TRC0846-2617	26W X 17H
TRC0846-2618	26W X 18H
TRC0846-2619	26W X 19H
TRC0846-2620	26W X 20H

MULTI-RAIL CONFIGURATION HEIGHT REFERENCE

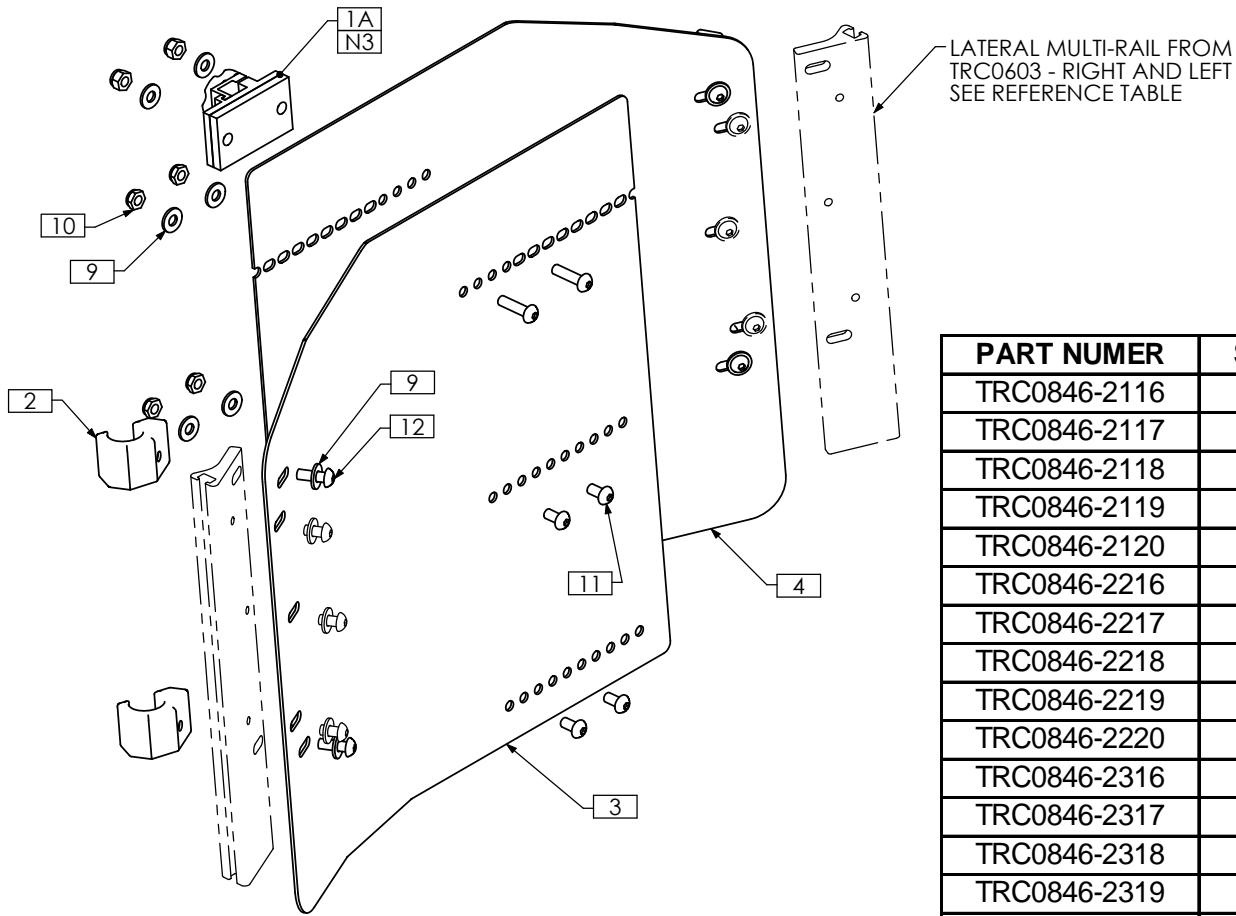
BACK PAN HEIGHT	RIGHT	LEFT
	MULTI-RAIL	MULTI-RAIL
20"	TRX2578-20	TRX2579-20
19"	TRX2578-19	TRX2579-19
18"	TRX2578-18	TRX2579-18
17"	TRX2578-17	TRX2579-17
16"	TRX2578-16	TRX2579-16

- NOTES:
 1. N/S = NOT SHOWN
 2. PARTS IN ASSEMBLY SHOWN FOR KITTING PURPOSES ONLY. MOUNTING BRACKETS ARE LOCATED DURING THE UPPER SEAT ASSEMBLY. LOCATIONS DEPEND ON BACK SIZE.
 3. HEADREST CLAMP NOT REQUIRED FOR BASIC HEADRESTS

ITEM NO.	QTY.	PART NO.	DESCRIPTION	ITEM NO.	QTY.	PART NO.	DESCRIPTION
1A	1	TRC0787	HEADREST CLAMP ASS'Y w/ SHIM	7	4	TRM0761	DRYLIN SLEEVE, IGUS JUIO-01-12
1B N/S	1	TRC0786	HEADREST CLAMP ASS'Y	8 N/S	1	TRS0029	CURVED STEEL BACK COVER
1C N/S	1	TRC0788	HEADREST CLAMP ASS'Y	9 N/S	1	TRS0051	CURVED STEEL BACK FOAM PAD
2	1	TRX4472	CURVED RIGID BACK PAN, RIGHT	10	8	TRH0101	1/4" FLAT WASHER
3	1	TRX4473	CURVED RIGID BACK PAN, LEFT	11	4	TRH0115	1/4" LOCK WASHER
4	4	TRX5236	ESR GLIDE BLOCK	12	4	TRH0202	1/4-20 SHALLOW NYLOC NUT
5 N/S	1	TRM0603	VELCRO - 1" HOOK	13A	4	TRH0445	1/4-20 x 3/4" BUTTON SOCKET CAP SCREW
6 N/S	1	TRM0604	VELCRO - 2" HOOK	13B N/S	4	TRH0429	1/4-20 x 1/2" BUTTON SOCKET CAP SCREW

TRC0846 - CURVED RIGID BACK, RECLINE AND ESR, BARIATRIC

REVISION: 11/26/2008



PART NUMBER	SIZE CONFIGURATION
TRC0846-2116	21W X 16H
TRC0846-2117	21W X 17H
TRC0846-2118	21W X 18H
TRC0846-2119	21W X 19H
TRC0846-2120	21W X 20H
TRC0846-2216	22W X 16H
TRC0846-2217	22W X 17H
TRC0846-2218	22W X 18H
TRC0846-2219	22W X 19H
TRC0846-2220	22W X 20H
TRC0846-2316	23W X 16H
TRC0846-2317	23W X 17H
TRC0846-2318	23W X 18H
TRC0846-2319	23W X 19H
TRC0846-2320	23W X 20H
TRC0846-2416	24W X 16H
TRC0846-2417	24W X 17H
TRC0846-2418	24W X 18H
TRC0846-2419	24W X 19H
TRC0846-2420	24W X 20H
TRC0846-2516	25W X 16H
TRC0846-2517	25W X 17H
TRC0846-2518	25W X 18H
TRC0846-2519	25W X 19H
TRC0846-2520	25W X 20H
TRC0846-2616	26W X 16H
TRC0846-2617	26W X 17H
TRC0846-2618	26W X 18H
TRC0846-2619	26W X 19H
TRC0846-2620	26W X 20H

MULTI-RAIL CONFIGURATION HEIGHT REFERENCE

BACK PAN HEIGHT	RIGHT	LEFT
	MULTI-RAIL	MULTI-RAIL
20"	TRX2578-20	TRX2579-20
19"	TRX2578-19	TRX2579-19
18"	TRX2578-18	TRX2579-18
17"	TRX2578-17	TRX2579-17
16"	TRX2578-16	TRX2579-16

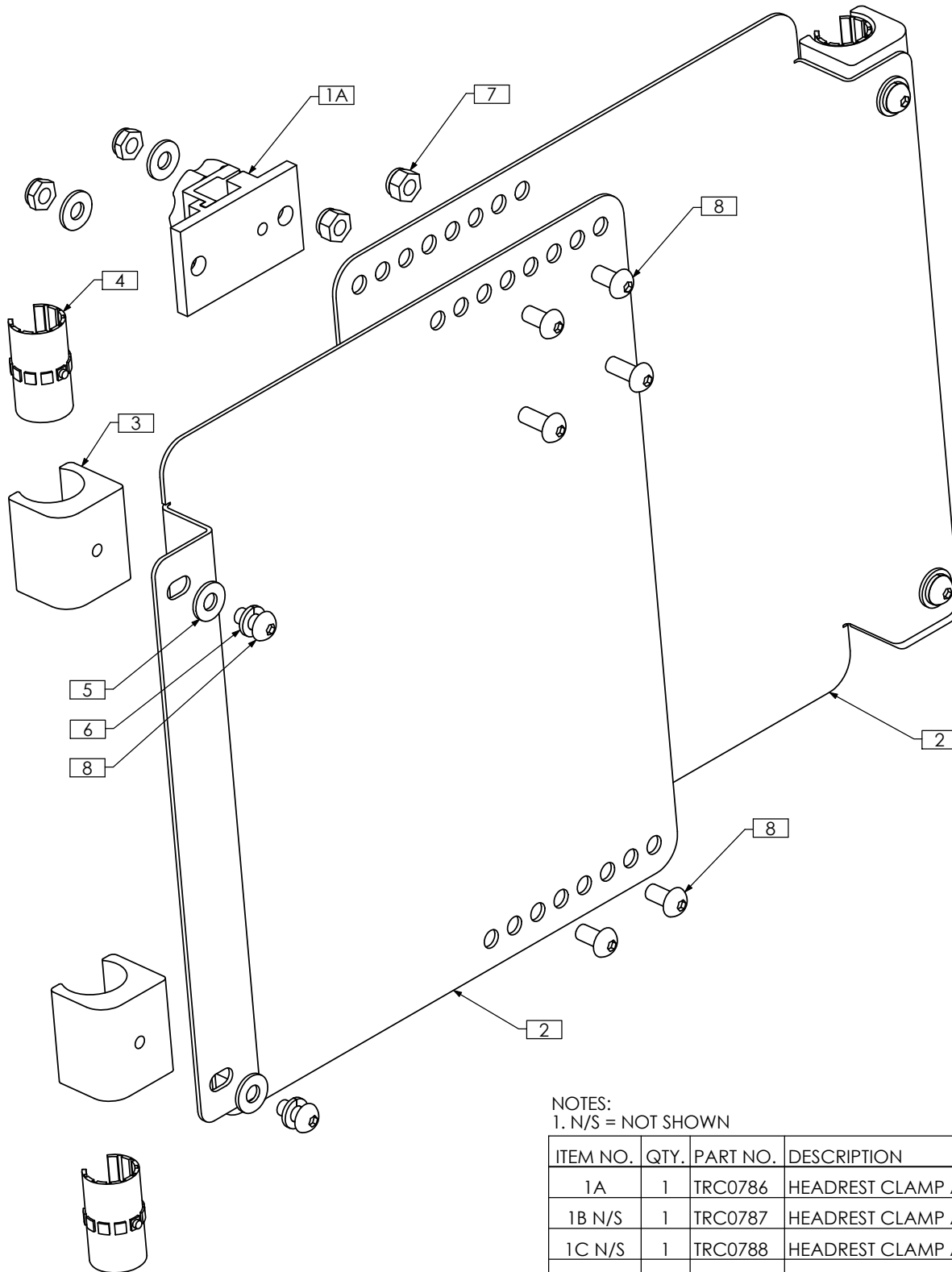
NOTES:

1. N/S = NOT SHOWN
2. PARTS IN ASSEMBLY SHOWN FOR KITTING PURPOSES ONLY. MOUNTING BRACKETS ARE LOCATED DURING THE UPPER SEAT ASSEMBLY. LOCATIONS DEPEND ON BACK SIZE.
3. HEADREST CLAMP NOT REQUIRED FOR BASIC HEADRESTS

ITEM NO.	QTY.	PART NO.	DESCRIPTION	ITEM NO.	QTY.	PART NO.	DESCRIPTION
1A	1	TRC0787	HEADREST CLAMP ASS'Y w/ SHIM	6 N/S	1	TRM0604	VELCRO - 2" HOOK
1B N/S	1	TRC0786	HEADREST CLAMP ASS'Y	7 N/S	1	TRS0029	CURVED STEEL BACK COVER
1C N/S	1	TRC0788	HEADREST CLAMP ASS'Y	8 N/S	1	TRS0051	CURVED STEEL BACK FOAM PAD
2	4	TRX2277	ESR GLIDE BLOCK ASS'Y, MULTI-RAIL, FULL HEIGHT	9	8	TRH0101	1/4" FLAT WASHER
3	1	TRX4472	CURVED RIGID BACK PAN, RIGHT	10	4	TRH0202	1/4-20 SHALLOW NYLOC NUT
4	1	TRX4473	CURVED RIGID BACK PAN, LEFT	11	4	TRH0429	1/4-20 x 1/2" BUTTON SOCKET CAP SCREW
5 N/S	1	TRM0603	VELCRO - 1" HOOK	12	4	TRH0445	1/4-20 x 3/4" BUTTON SOCKET CAP SCREW

TRC1048 - RECESSED PLANAR MODULAR BACK, RECLINE AND ESR

REVISION: 03/023/2009

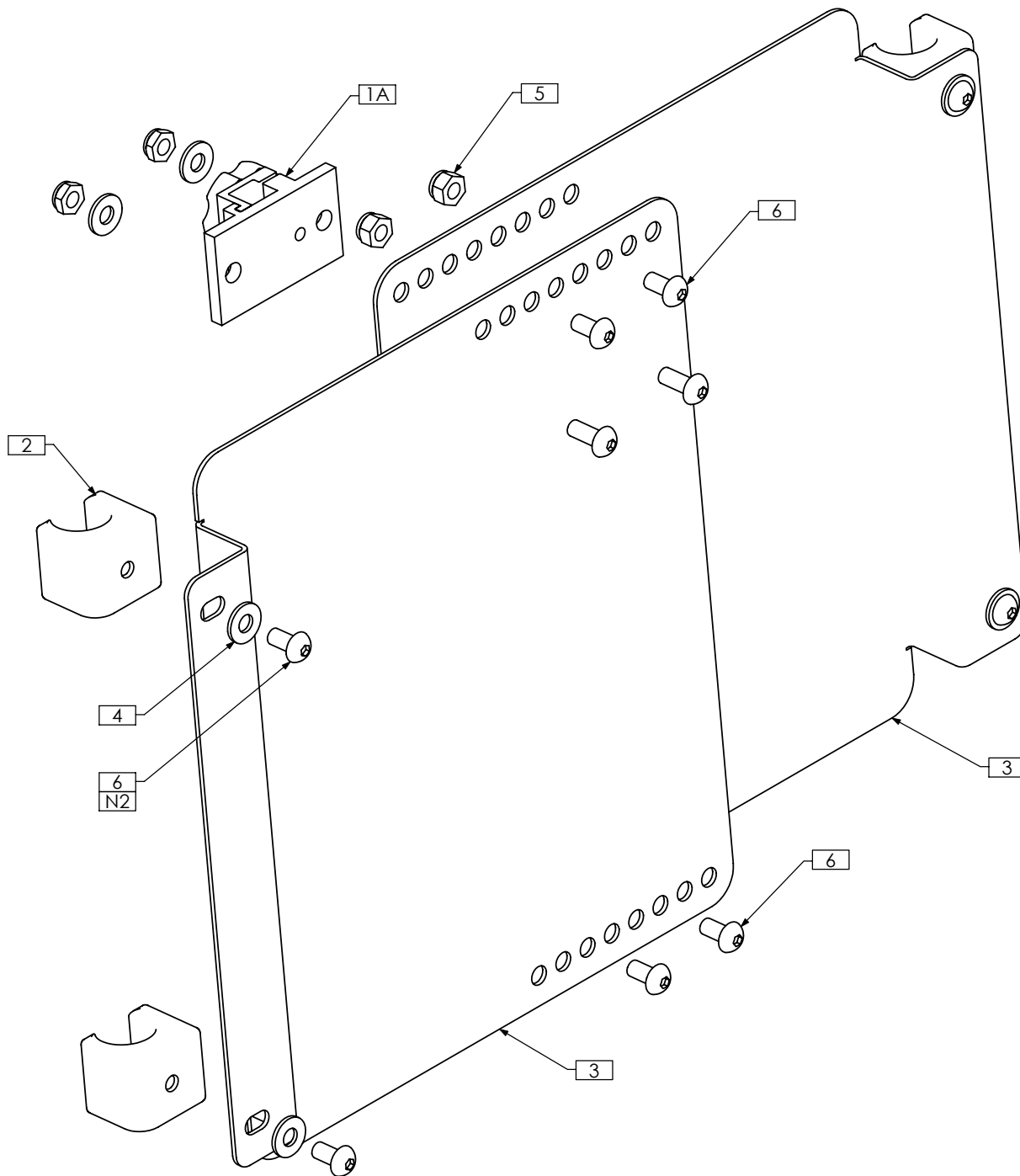


NOTES:
1. N/S = NOT SHOWN

ITEM NO.	QTY.	PART NO.	DESCRIPTION
1A	1	TRC0786	HEADREST CLAMP ASS'Y
1B	N/S	TRC0787	HEADREST CLAMP ASS'Y w/ SHIM
1C	N/S	TRC0788	HEADREST CLAMP ASS'Y
2	2	TRX4251	MODULAR BACK PAN, 16W-20W
3	4	TRX5236	ESR GLIDE BLOCK
4	4	TRM0761	DRYLIN SLEEVE, IGUS JUIO-01-12
5	4	TRH0101	1/4" FLAT WASHER
6	4	TRH0115	1/4" LOCK WASHER
7	4	TRH0201	1/4-20 NYLOC NUT
8	8	TRH0429	1/4-20 x 1/2" BUTTON SOCKET CAP SCREW

TRC0847 - RECESSED PLANAR MODULAR BACK, RECLINE AND ESR

REVISION: 08/02/2007

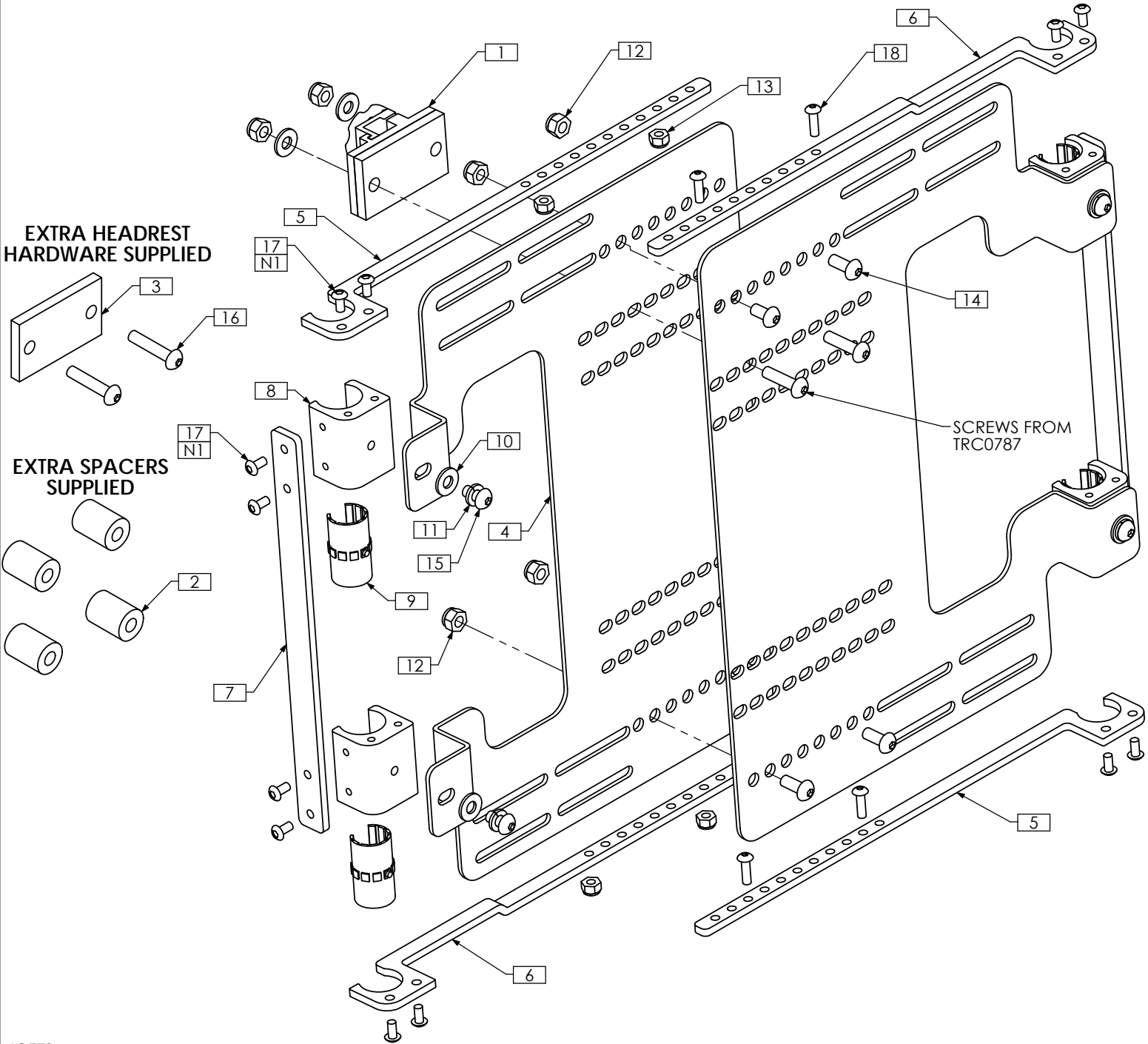


NOTES:
 1. N/S = NOT SHOWN
 2. USE LOCTITE (4)

ITEM NO.	QTY.	PART NO.	DESCRIPTION
1A	1	TRC0786	HEADREST CLAMP ASS'Y
1B N/S	1	TRC0787	HEADREST CLAMP ASS'Y w/ SHIM
1C N/S	1	TRC0788	HEADREST CLAMP ASS'Y
2	4	TRX2580	ESR GLIDE BLOCK ASS'Y, MULTI-RAIL, 65 DEG
3	2	TRX4251	MODULAR BACK PAN, 16W-20W
4	4	TRH0101	1/4" FLAT WASHER
5	4	TRH0201	1/4-20 NYLOC NUT
6	8	TRH0429	1/4-20 x 1/2" BUTTON SOCKET CAP SCREW

TRC1065 - MODULAR BACK ASS'Y (I-BACK), RECLINE AND ESR

REVISION: 03/23/2009

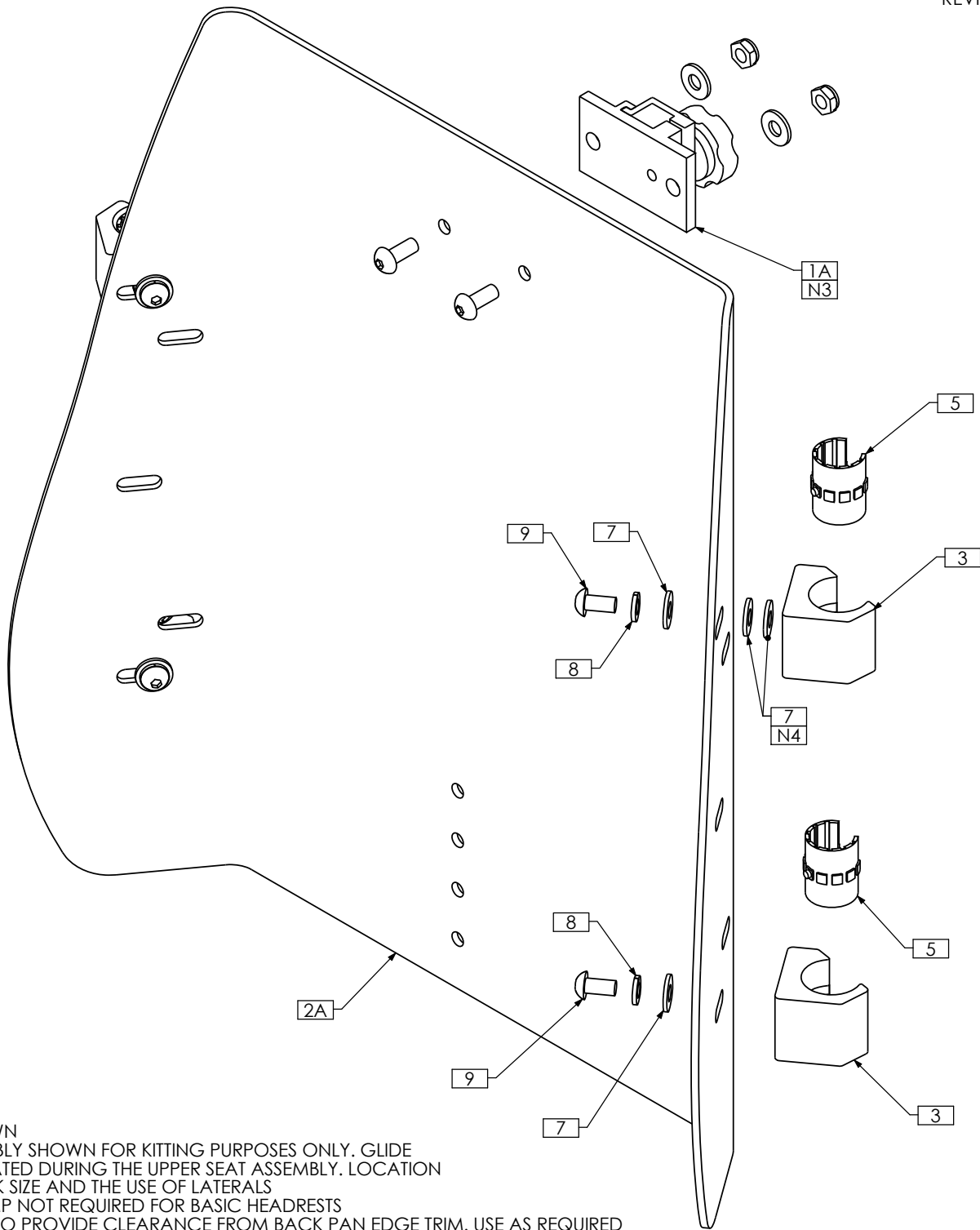


NOTES:
1. N/S = NOT SHOWN

ITEM NO.	QTY.	PART NO.	DESCRIPTION	ITEM NO.	QTY.	PART NO.	DESCRIPTION
1	1	TRC0787	HEADREST CLAMP ASS'Y w/ SHIM	10	4	TRH0101	1/4" FLAT WASHER
2	4	TRX1256-100	SPACER, 5/16 X 3/4	11	4	TRH0115	1/4" LOCK WASHER
3	1	TRX2685	SHIM	12	4	TRH0201	1/4-20 NYLOC NUT
4	2	TRX5401	MODULAR I-BACK PAN, 16W-20W	13	4	TRH0235	#10-32 NYLOC NUT
5	2	TRX5402	CROSS SUPPORT	14	3	TRH0308	1/4-20 x 5/8" BUTTON SOCKET CAP SCREW
6	2	TRX5403	CROSS SUPPORT, JOGGED	15	5	TRH0429	1/4-20 x 1/2" BUTTON SOCKET CAP SCREW
7	2	TRX5404	VERTICAL SUPPORT BAR	16	2	TRH0451	1/4-20 x 1 1/4" BUTTON SOCKET CAP SCREW
8	4	TRX5405	ESR GLIDE BLOCK	17	16	TRH0475	#10-32 x 3/8" BUTTON SOCKET CAP SCREW
9	4	TRM0761	DRYLIN SLEEVE, IGUS JUIO-01-12	18	4	TRH0543	#10-32 x 5/8" BUTTON SOCKET CAP SCREW

TRC1066 - CONTOUR BACK, RECLINE AND ESR

REVISION: 04/14/2009

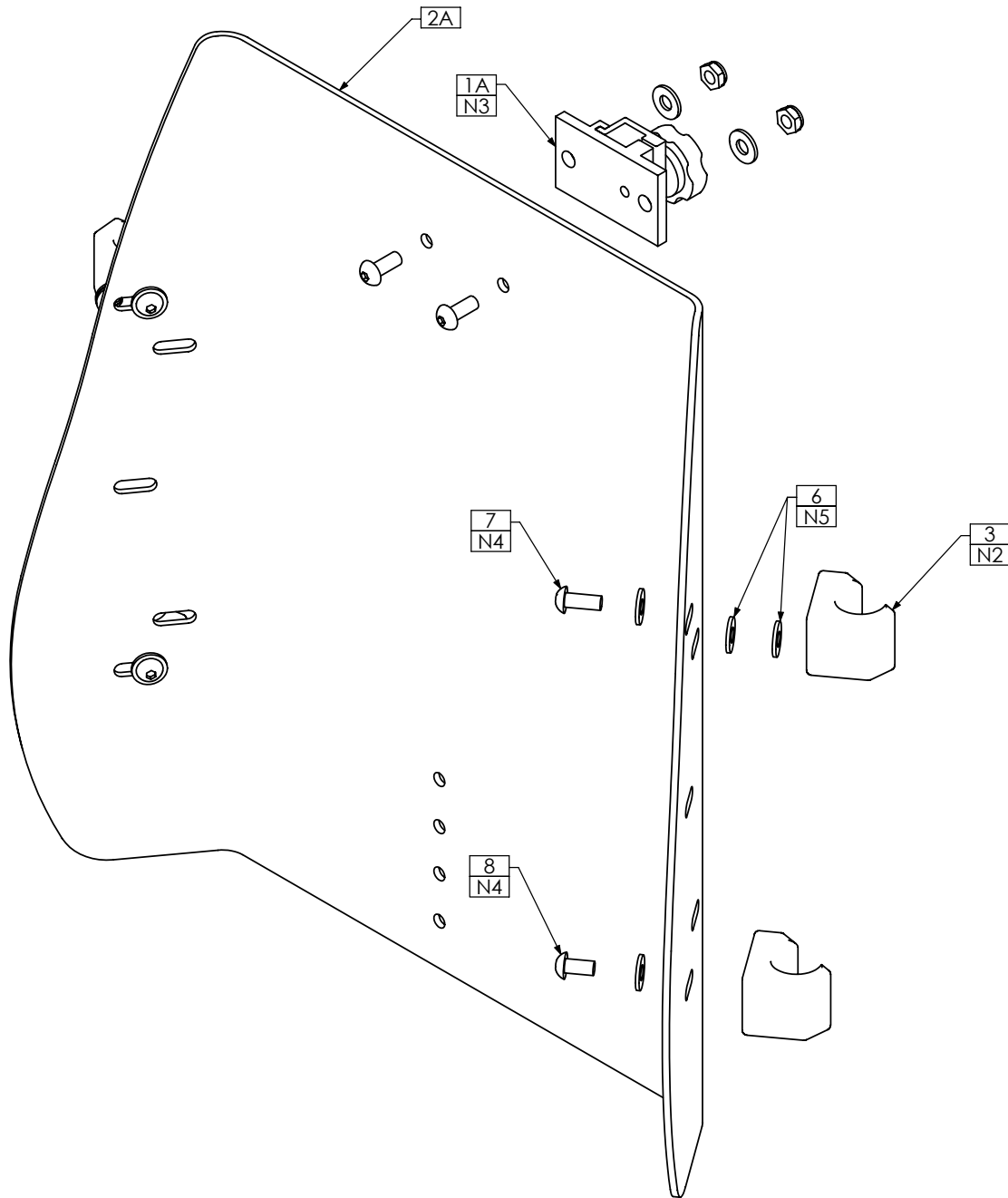


- NOTES:
 1. N/S = NOT SHOWN
 2. PARTS IN ASSEMBLY SHOWN FOR KITTING PURPOSES ONLY. GLIDE BLOCKS ARE LOCATED DURING THE UPPER SEAT ASSEMBLY. LOCATION DEPENDS ON BACK SIZE AND THE USE OF LATERALS
 3. HEADREST CLAMP NOT REQUIRED FOR BASIC HEADRESTS
 4. WASHERS USED TO PROVIDE CLEARANCE FROM BACK PAN EDGE TRIM. USE AS REQUIRED

ITEM NO.	QTY.	PART NO.	DESCRIPTION	ITEM NO.	QTY.	PART NO.	DESCRIPTION
1A	1	TRC0786	HEADREST CLAMP ASS'Y	4 N/S	1	TRM0568	RUBBER EDGE TRIM, SMALL PROFILE
1B N/S	1	TRC0787	HEADREST CLAMP ASS'Y w/ SHIM	5	4	TRM0792	DRYLIN SLEEVE, IGUS JUMO-02-20
1C N/S	1	TRC0788	HEADREST CLAMP ASS'Y	6A N/S	1	TRS0020	CONTOUR BACK CUSHION ASS'Y
2A	1	TRX1195	CONTOUR BACK PAN, 17H	6B N/S	1	TRS0022	CONTOUR BACK CUSHION ASS'Y, ONYX
2B N/S	1	TRX2740	CONTOUR BACK PAN, 12H	7	8	TRH0101	1/4" FLAT WASHER
2C N/S	1	TRX2741	CONTOUR BACK PAN, 15H	8	4	TRH0115	1/4" LOCK WASHER
2D N/S	1	TRX5312	HIGH CONTOUR BACK PAN, 21H	9	4	TRH0429	1/4-20 x 1/2" BUTTON SOCKET CAP SCREW
3	4	TRX5269	ESR GLIDE BLOCK, CONTOUR BACK				

TRC0340 - CONTOUR BACK, RECLINE AND ESR

REVISION: 05/24/2007



NOTES:

1. N/S = NOT SHOWN
2. PARTS IN ASSEMBLY SHOWN FOR KITTING PURPOSES ONLY. GLIDE BLOCKS ARE LOCATED DURING THE UPPER SEAT ASSEMBLY. LOCATION DEPENDS ON BACK SIZE AND THE USE OF LATERALS
3. HEADREST CLAMP NOT REQUIRED FOR BASIC HEADRESTS
4. USE LOCTITE (2)
5. WASHERS USED TO PROVIDE CLEARANCE FROM BACK PAN EDGE TRIM. USE AS REQUIRED

ITEM NO.	QTY.	PART NO.	DESCRIPTION	ITEM NO.	QTY.	PART NO.	DESCRIPTION
1A	1	TRC0786	HEADREST CLAMP ASS'Y	4 N/S	5ft	TRM0568	RUBBER EDGE TRIM, SMALL PROFILE
1B N/S	1	TRC0787	HEADREST CLAMP ASS'Y w/ SHIM	5A N/S	1	TRS0020	CONTOUR BACK CUSHION ASS'Y
1C N/S	1	TRC0788	HEADREST CLAMP ASS'Y	5B N/S	1	TRS0022	CONTOUR BACK CUSHION ASS'Y, ONYX
2A	1	TRX1195	CONTOUR BACK PAN, 17H	6	8	TRH0101	1/4" FLAT WASHER
2B N/S	1	TRX2741	CONTOUR BACK PAN, 15H	7	2	TRH0308	1/4-20 x 5/8" BUTTON SOCKET CAP SCREW
2C N/S	1	TRX2740	CONTOUR BACK PAN, 12H	8	2	TRH0429	1/4-20 x 1/2" BUTTON SOCKET CAP SCREW
3	4	TRX1728	ESR GLIDE BLOCK ASS'Y, CONTOUR BACK				

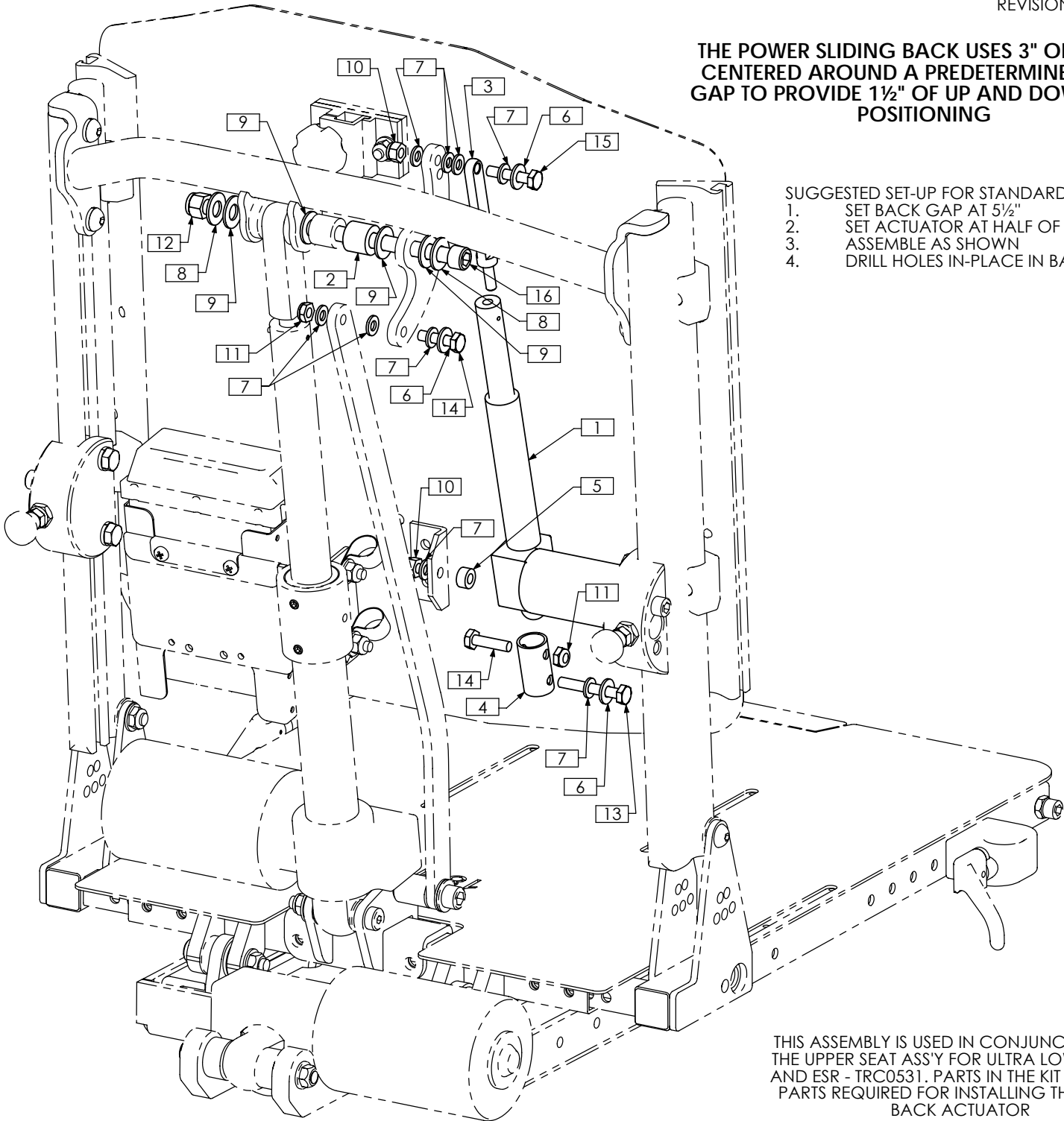
TRC0857 - POWER BACK ASS'Y, ULTRA LOW CGT, RECLINE AND ESR

REVISION: 09/19/2007

THE POWER SLIDING BACK USES 3" OF STROKE
CENTERED AROUND A PREDETERMINED BACK
GAP TO PROVIDE 1½" OF UP AND DOWN BACK
POSITIONING

SUGGESTED SET-UP FOR STANDARD CANES:

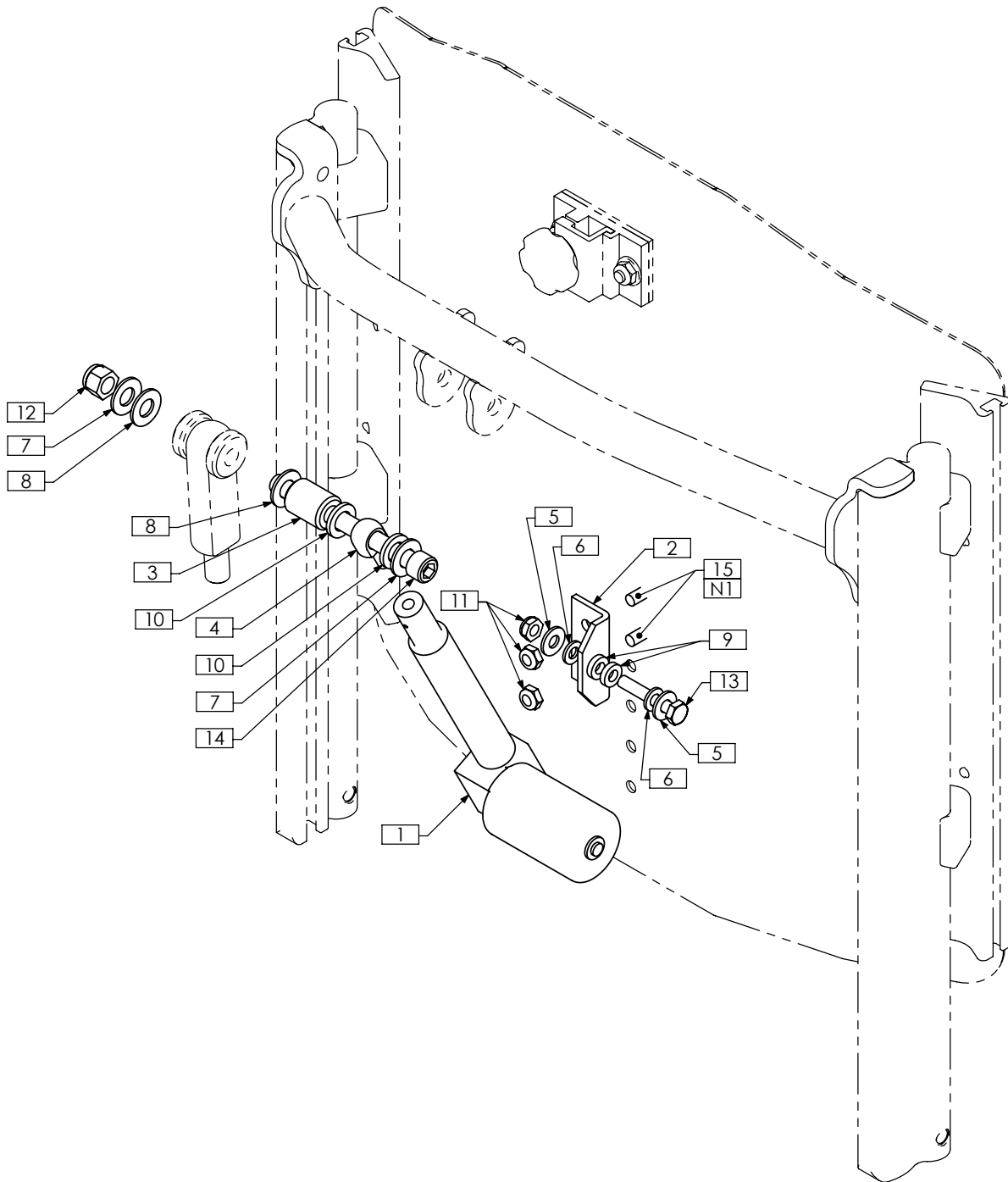
1. SET BACK GAP AT 5½"
2. SET ACTUATOR AT HALF OF TRAVEL - 1½"
3. ASSEMBLE AS SHOWN
4. DRILL HOLES IN-PLACE IN BACK



THIS ASSEMBLY IS USED IN CONJUNCTION WITH
THE UPPER SEAT ASS'Y FOR ULTRA LOW RECLINE
AND ESR - TRC0531. PARTS IN THE KIT ARE EXTRA
PARTS REQUIRED FOR INSTALLING THE POWER
BACK ACTUATOR

ITEM NO.	QTY.	PART NO.	DESCRIPTION	ITEM NO.	QTY.	PART NO.	DESCRIPTION
1	1	TRA0208	ACTUATOR, 3" STROKE	9	4	TRH0105	3/8" NYLON WASHER
2	1	TRX1850	SPACER	10	2	TRH0201	¼-20 NYLOC NUT
3	1	TRX4388	ROD END	11	2	TRH0202	¼-20 SHALLOW NYLOC NUT
4	1	TRX4389	ACTUATOR EXTENSION	12	1	TRH0204	3/8-16 NYLOC NUT
5	1	TTM0090	¼"ID X ½"OD X ¼"THK NYLON SPACER	13	1	TRH0302	¼-20 x 1¼" HEX HEAD CAP SCREW
6	3	TRH0101	¼" FLAT WASHER	14	2	TRH0303	¼-20 x 1" HEX HEAD CAP SCREW
7	9	TRH0102	¼" NYLON WASHER	15	1	TRH0353	¼-20 x 1¼" HEX HEAD CAP SCREW
8	2	TRH0104	3/8" FLAT WASHER	16	1	TRH0361	3/8-16 x 4" SOCKET HEAD CAP SCREW GR8

TRC0449 - POWER SLIDING BACK

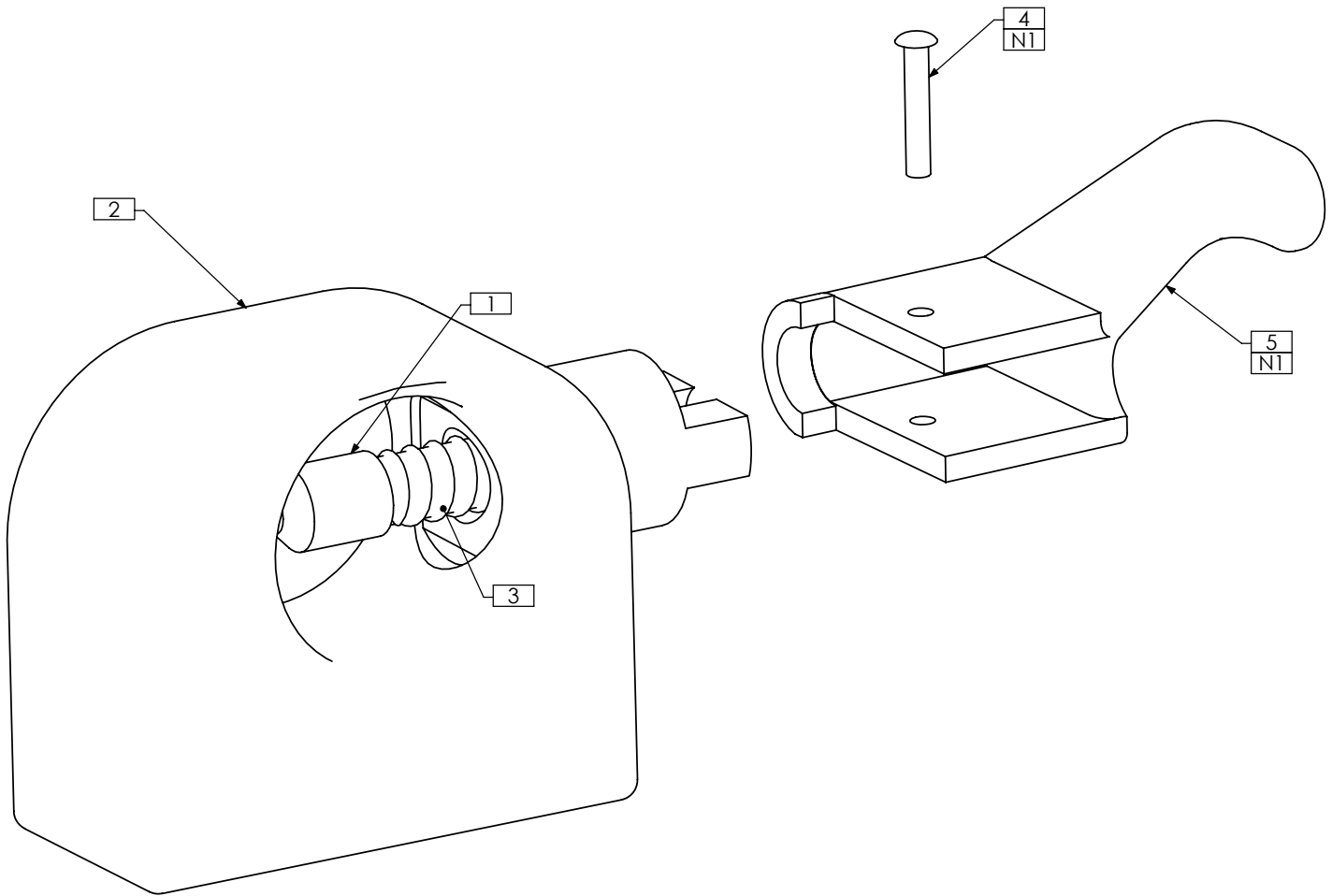


NOTES:
 1. SET BACK AT DESIRED UPPER HEIGHT. FULLY RETRACT ACTUATOR
 DRILL HOLES FOR MACHINE SCREWS

ITEM NO.	QTY.	PART NO.	DESCRIPTION	ITEM NO.	QTY.	PART NO.	DESCRIPTION
1	1	TRA0208	ACTUATOR, 3" STROKE	9	2	TRH0133	1/4"ID x 1/2"OD x 0.125" NYLON WASHER
2	1	TRX0194	ESR BRACKET, BACK PAN	10	2	TRH0140	7/16" NYLON WASHER, THICK
3	1	TRX0332	SPACER	11	3	TRH0202	1/4-20 SHALLOW NYLOC NUT
4	1	TRX2758	3/8 ROD END	12	1	TRH0204	3/8-16 NYLOC NUT
5	2	TRH0101	1/4" FLAT WASHER	13	1	TRH0301	1/4-20 x 1 1/2" HEX HEAD CAP SCREW
6	2	TRH0102	1/4" NYLON WASHER	14	1	TRH0361	3/8-16 x 4" SOCKET HEAD CAP SCREW GR8
7	2	TRH0104	3/8" FLAT WASHER	15	2	TRH0454	1/4-20 x 1/2" PHILLIPS TRUSS MACHINE SCREW
8	2	TRH0105	3/8" NYLON WASHER				

TRC0243 - FRONT ARMREST RECEIVER ASS'Y, LEFT, RECLINE

REVISION: 10/20/2006

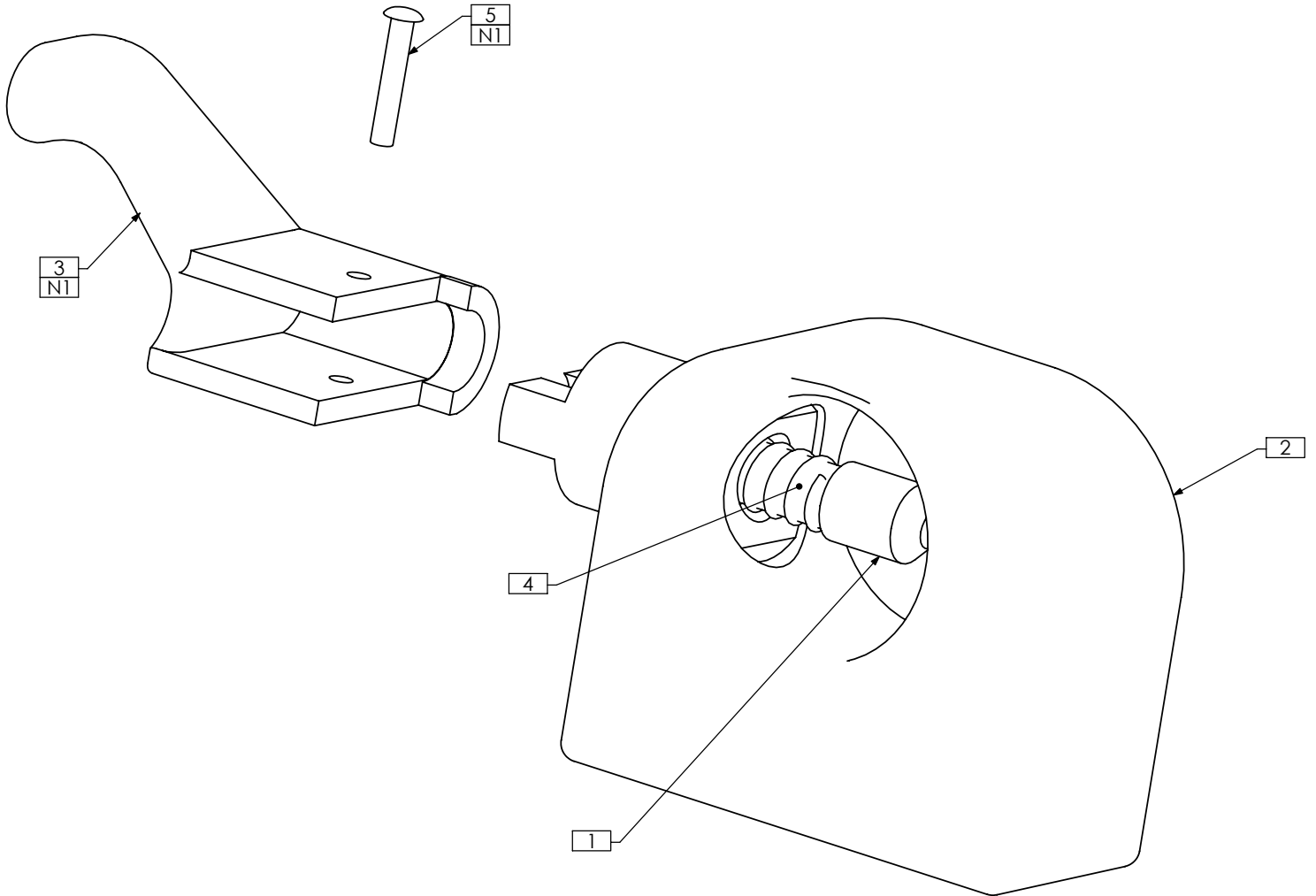


NOTES:
1. FROM KIT TRM0196

ITEM NO.	QTY.	PART NO.	DESCRIPTION
1	1	TRX0320	PLUNGER
2	1	TRX0626	FRONT RECEIVER WLD
3	1	TRM0097	SPRING
4	1	TRM0098	ARM REST PIN
5	1	TRM0105	LEFT ARM REST LEVER

TRC0244 - FRONT ARMREST RECEIVER ASS'Y, RIGHT, RECLINE

REVISION: 10/20/2006

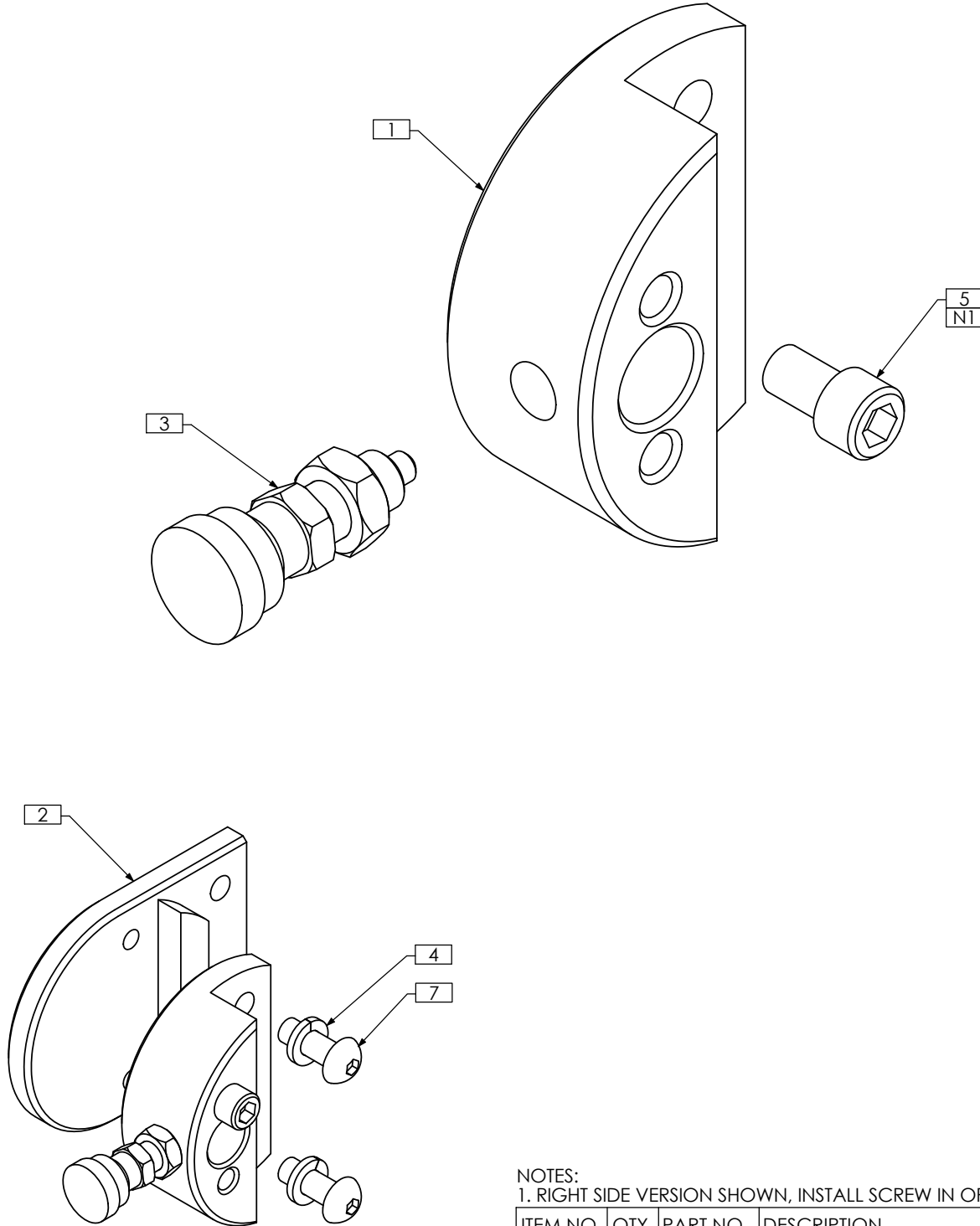


NOTES:
1. FROM KIT TRM0196

ITEM NO.	QTY.	PART NO.	DESCRIPTION
1	1	TRX0320	PLUNGER
2	1	TRX0626	FRONT RECEIVER WLD
3	1	TRM0096	RIGHT ARM REST LEVER
4	1	TRM0097	SPRING
5	1	TRM0098	ARM REST PIN

TRC0329 - REAR ARMREST RECEIVER ASS'Y, RECLINE

REVISION: 07/22/2009



WITH EXTENSION WHEN USED WITH LATERALS

NOTES:

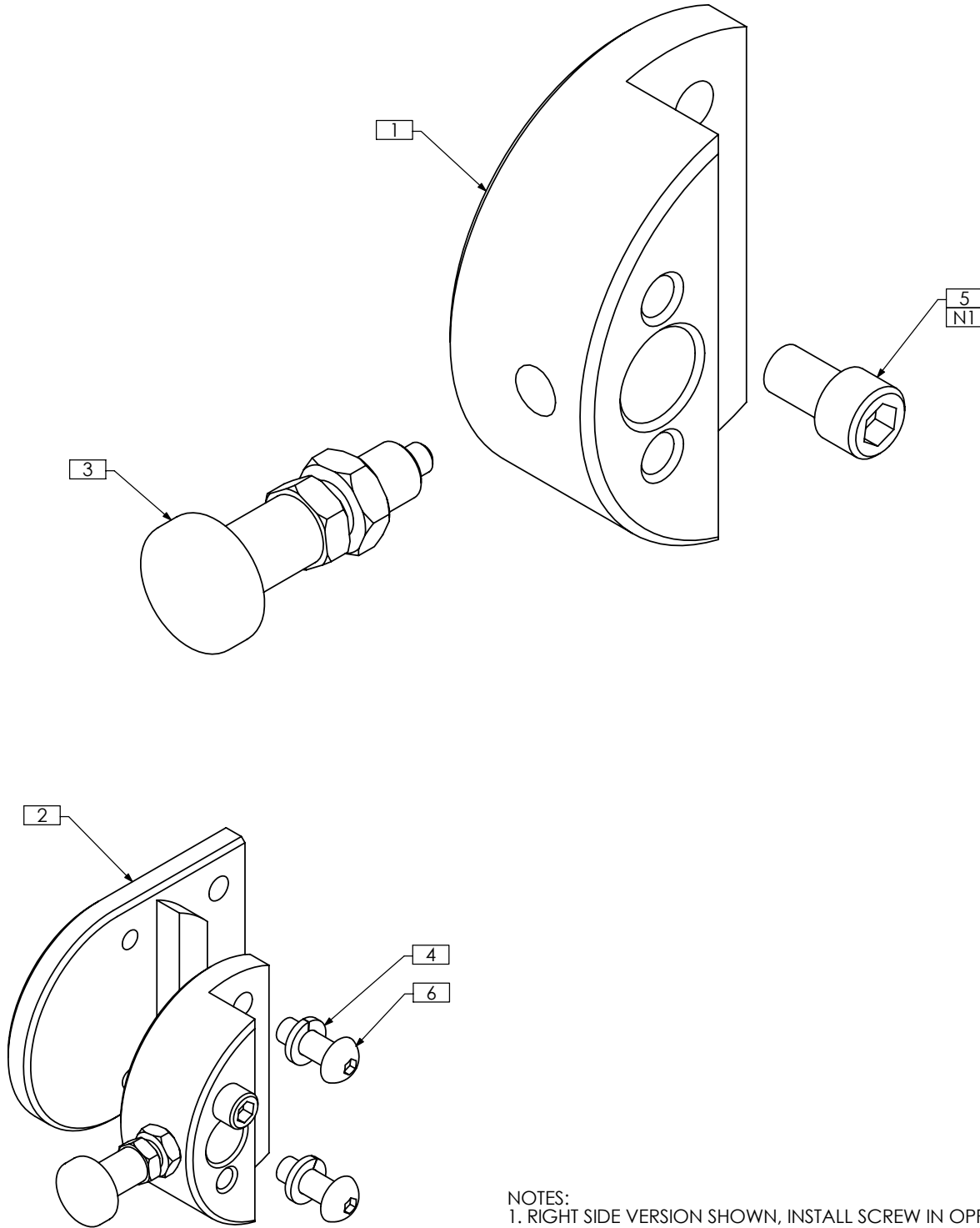
1. RIGHT SIDE VERSION SHOWN, INSTALL SCREW IN OPPOSITE HOLE FOR LEFT SIDE

ITEM NO.	QTY.	PART NO.	DESCRIPTION
1	1	TRX1387	ARMREST REAR RECEIVER
2	1	TRX1463	EXTENSION, ARMREST RECEIVER
3	1	TRM0755	PLUNGER, INDEXING
4	2	TRH0108	5/16" LOCK WASHER
5	1	TRH0422	5/16-18 x 1/2" SOCKET HEAD CAP SCREW GR8
6	2	TRH0430	5/16-18 x 7/8" BUTTON SOCKET CAP SCREW

TRC0690 - REAR ARMREST RECEIVER ASS'Y w/ PLUNGER LOCK, RECLINE

DISCONTINUED - SEE TRC0329

REVISION: 08/21/2006



WITH EXTENSION WHEN USED WITH LATERALS

NOTES:

1. RIGHT SIDE VERSION SHOWN, INSTALL SCREW IN OPPOSITE HOLE FOR LEFT SIDE

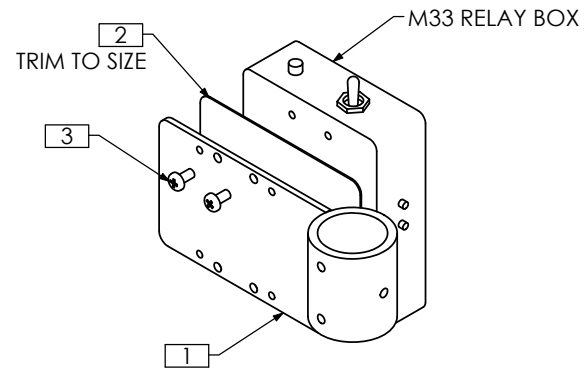
ITEM NO.	QTY.	PART NO.	DESCRIPTION
1	1	TRX1387	ARMREST REAR RECEIVER
2	1	TRX1463	EXTENSION, ARMREST RECEIVER
3	1	TRM0628	PLUNGER, INDEXING
4	2	TRH0108	5/16" LOCK WASHER
5	1	TRH0422	5/16-18 x 1/2" SOCKET HEAD CAP SCREW GR8
6	2	TRH0430	5/16-18 x 7/8" BUTTON SOCKET CAP SCREW

TRC1073 - RELAY BOX MOUNT ASS'Y, RECLINE

REVISION: 06/30/2009

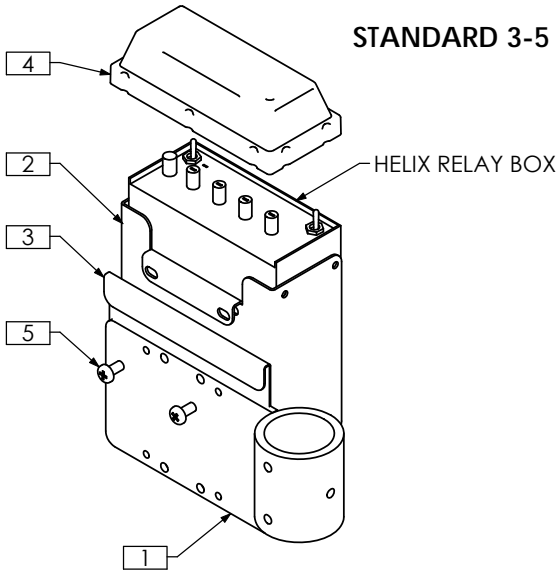
ITEM NO.	QTY.	PART NO.	DESCRIPTION
1	1	TRX2530	RELAY BRACKET WLD
2	1	TRX3510	RELAY BOX MTG BRKT, TWO WAY
3	1	TRX4345	INSULATOR
4	1	TRM0495	HELIX COVER
5	2	TRH0621	#10-32 x 3/8" PAN PHILLIPS NYLON MACHINE SCREW

STANDARD 1-2 FUNCTION



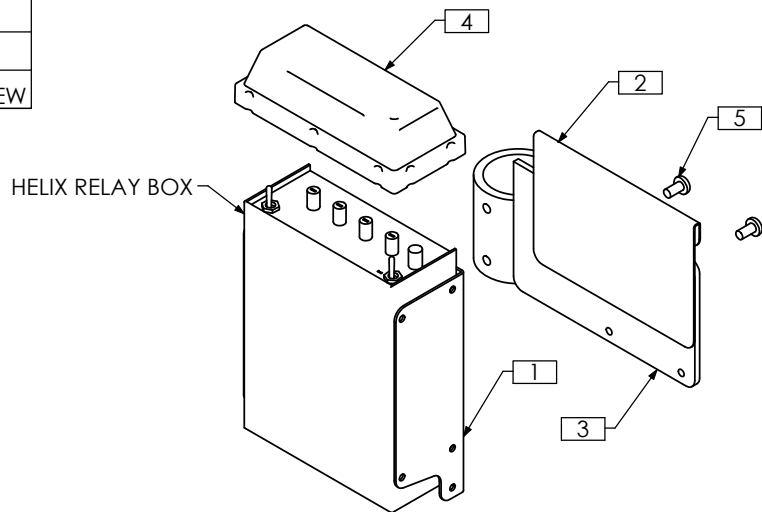
ITEM NO.	QTY.	PART NO.	DESCRIPTION
1	1	TRX2530	RELAY BRACKET WLD
2	1	TRX4345	INSULATOR
3	2	TRH0621	#10-32 x 3/8" PAN PHILLIPS NYLON MACHINE SCREW

STANDARD 3-5 FUNCTION

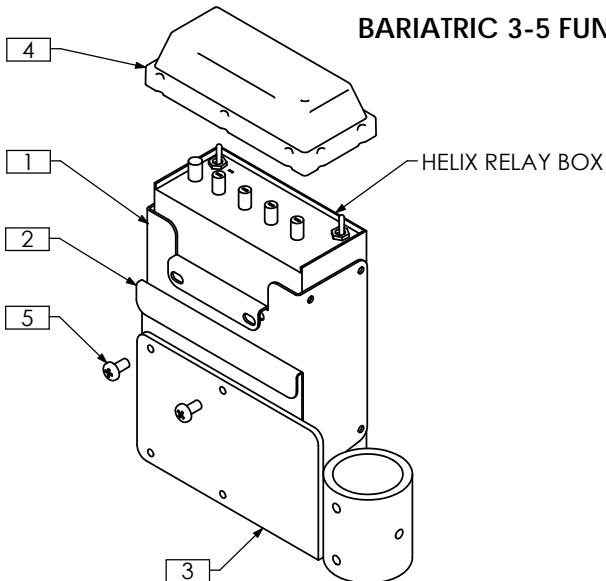


ITEM NO.	QTY.	PART NO.	DESCRIPTION
1	1	TRX3510	RELAY BOX MTG BRKT, TWO WAY
2	1	TRX4345	INSULATOR
3	1	TRX5516	RELAY BRACKET WLD, BARIATRIC
4	1	TRM0495	HELIX COVER
5	2	TRH0621	#10-32 x 3/8" PAN PHILLIPS NYLON MACHINE SCREW

PEDIATRIC 3-5 FUNCTION



BARIATRIC 3-5 FUNCTION



ITEM NO.	QTY.	PART NO.	DESCRIPTION
1	1	TRX3510	RELAY BOX MTG BRKT, TWO WAY
2	1	TRX4345	INSULATOR
3	1	TRX4906	RELAY BRACKET WLD, PEDIATRIC
4	1	TRM0495	HELIX COVER
5	2	TRH0621	#10-32 x 3/8" PAN PHILLIPS NYLON MACHINE SCREW

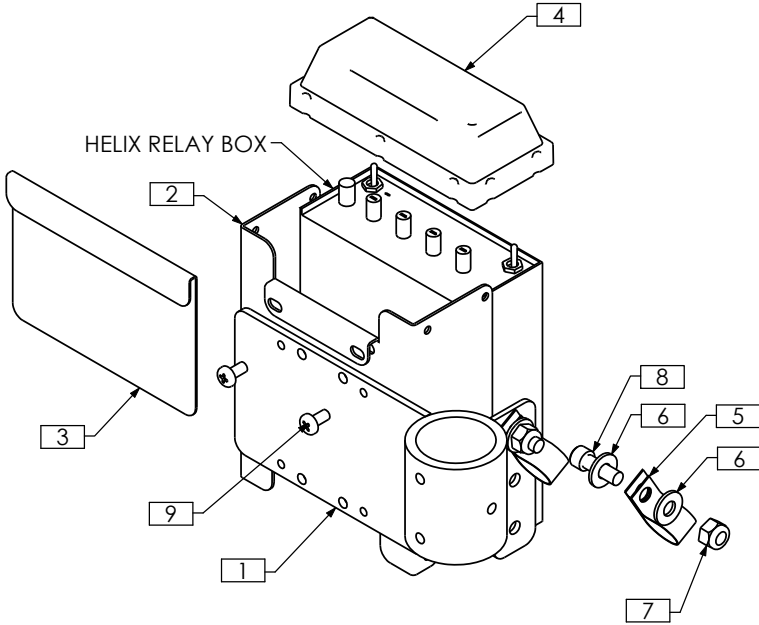
TRC0524 - RELAY BOX MOUNT ASS'Y, RECLINE

DISCONTINUED - SEE TRC1073

REVISION: 11/07/2008

3-5 FUNCTION RELAY BOX - RECLINE

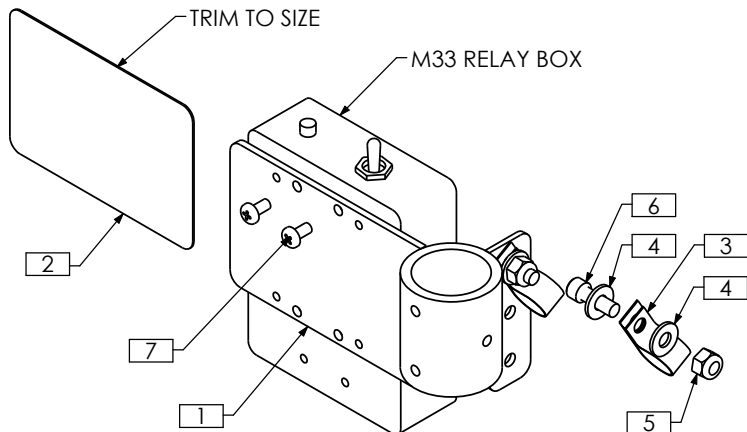
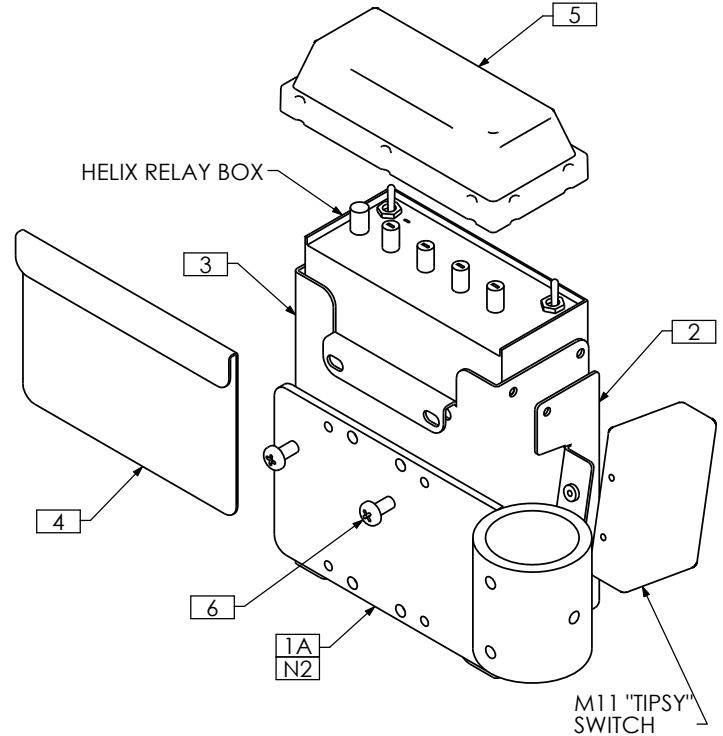
ITEM NO.	QTY.	PART NO.	DESCRIPTION
1	1	TRX0670	RELAY BRACKET WLD
2	1	TRX3510	RELAY BOX MTG BRKT, TWO WAY
3	1	TRX4345-1	INSULATOR
4	1	TRM0495	HELIX COVER
5	2	TRH0001	CLAMP
6	4	TRH0101	1/4" FLAT WASHER
7	2	TRH0201	1/4-20 NYLOC NUT
8	2	TRH0401	1/4-20 x 3/4" SOCKET HEAD CAP SCREW GR8
9	2	TRH0621	#10-32 x 3/8" PAN PHILLIPS NYLON MACHINE SCREW



3-5 FUNCTION RELAY BOX WITH M11 "TIPSY" SWITCH - RECLINE

ITEM NO.	QTY.	PART NO.	DESCRIPTION
1A	1	TRX2530	RELAY BRACKET WLD
1B N/S	1	TRX4906	RELAY BRACKET WLD, PEDIATRIC
2	1	TRX2612	VERTICAL TIPSY BRACKET ASSY
3	1	TRX3510	RELAY BOX MTG BRKT, TWO WAY
4	1	TRX4345-1	INSULATOR
5	1	TRM0495	HELIX COVER
6	2	TRH0621	#10-32 x 3/8" PAN PHILLIPS NYLON MACHINE SCREW

- NOTES:
 1. N/S = NOT SHOWN
 2. ITEM 1B USED FOR PEDIATRIC APPLICATIONS



1-2 FUNCTION RELAY BOX - RECLINE

ITEM NO.	QTY.	PART NO.	DESCRIPTION
1	1	TRX0670	RELAY BRACKET WLD
2	1	TRX4345-1	INSULATOR
3	2	TRH0001	CLAMP
4	4	TRH0101	1/4" FLAT WASHER
5	2	TRH0201	1/4-20 NYLOC NUT
6	2	TRH0401	1/4-20 x 3/4" SOCKET HEAD CAP SCREW GR8
7	2	TRH0621	#10-32 x 3/8" PAN PHILLIPS NYLON MACHINE SCREW