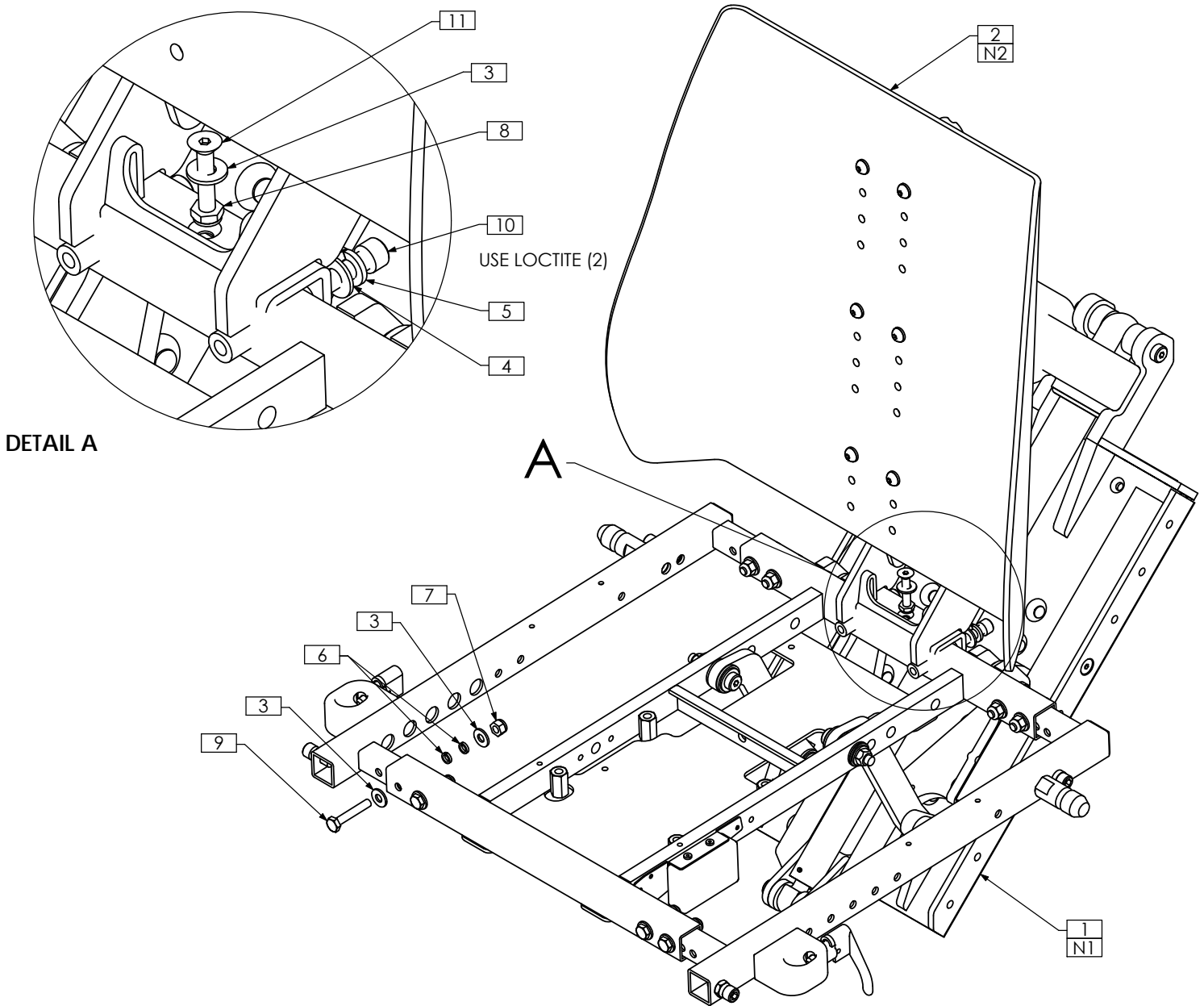


U P P E R S E A T I N G
S I N G L E P O S T
B A C K

TRC0611 - MAIN ASS'Y, ULTRA LOW CGT, SINGLE POST BACK

REVISION: 04/22/2009



NOTES:

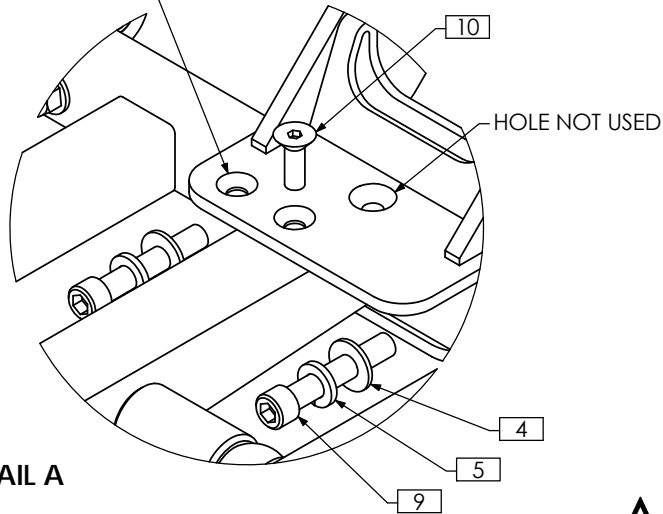
1. IMPORTANT: FOR SINGLE POST BACK APPLICATIONS, ULTRA LOW SYSTEM MUST BE LIMITED TO 45° TILT - REFER TO TRC0982. SHOWN WITH STANDARD DEPTH SEAT FRAME
2. ENSURE PROPER PIVOT MOUNT WLD IS USED FOR ULTRA LOW - TRX3337

ITEM NO.	QTY.	PART NO.	DESCRIPTION
1	1	TRC0982	POSITIONING SYSTEM, 7" SHIFT
2	1	TRC0553	UPPER SEAT ASS'Y, SINGLE POST BACK
3	17	TRH0101	1/4" FLAT WASHER
4	2	TRH0107	5/16" FLAT WASHER
5	2	TRH0108	5/16" LOCK WASHER
6	16	TRH0113	1/4" HI COLLAR LOCK WASHER
7	8	TRH0201	1/4-20 NYLOC NUT
8	1	TRH0202	1/4-20 SHALLOW NYLOC NUT
9	8	TRH0301	1/4-20 x 1 1/2" HEX HEAD CAP SCREW
10	2	TRH0358	5/16-18 x 2" SOCKET HEAD CAP SCREW GR8
11	1	TRH0377	1/4-20 x 1 1/2" FLAT SOCKET CAP SCREW

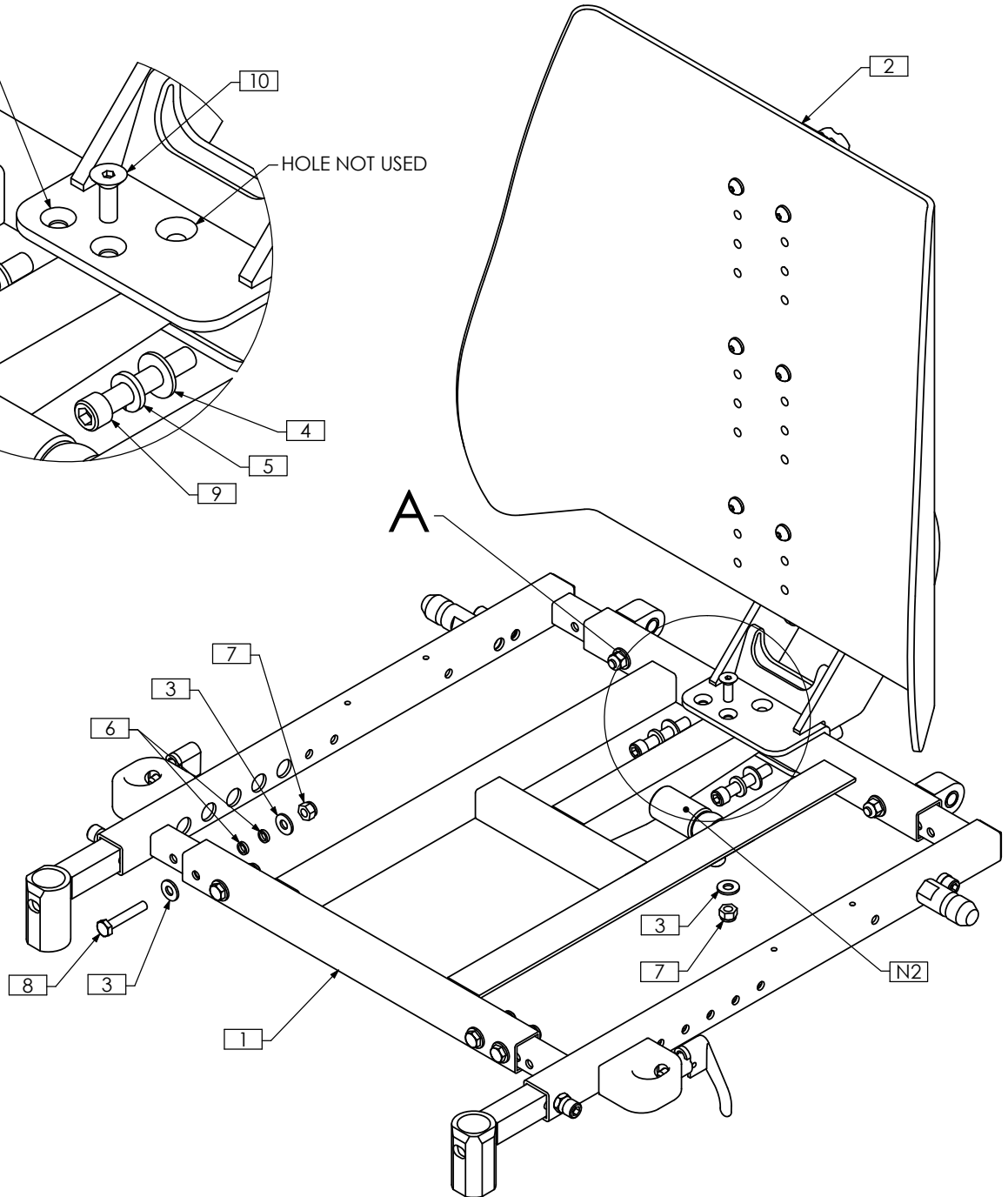
TRC0364 - MAIN ASS'Y, SL/SP, SINGLE POST BACK

REVISION: 04/22/2009

HOLE USED FOR STORM SL SEAT FRAME



DETAIL A

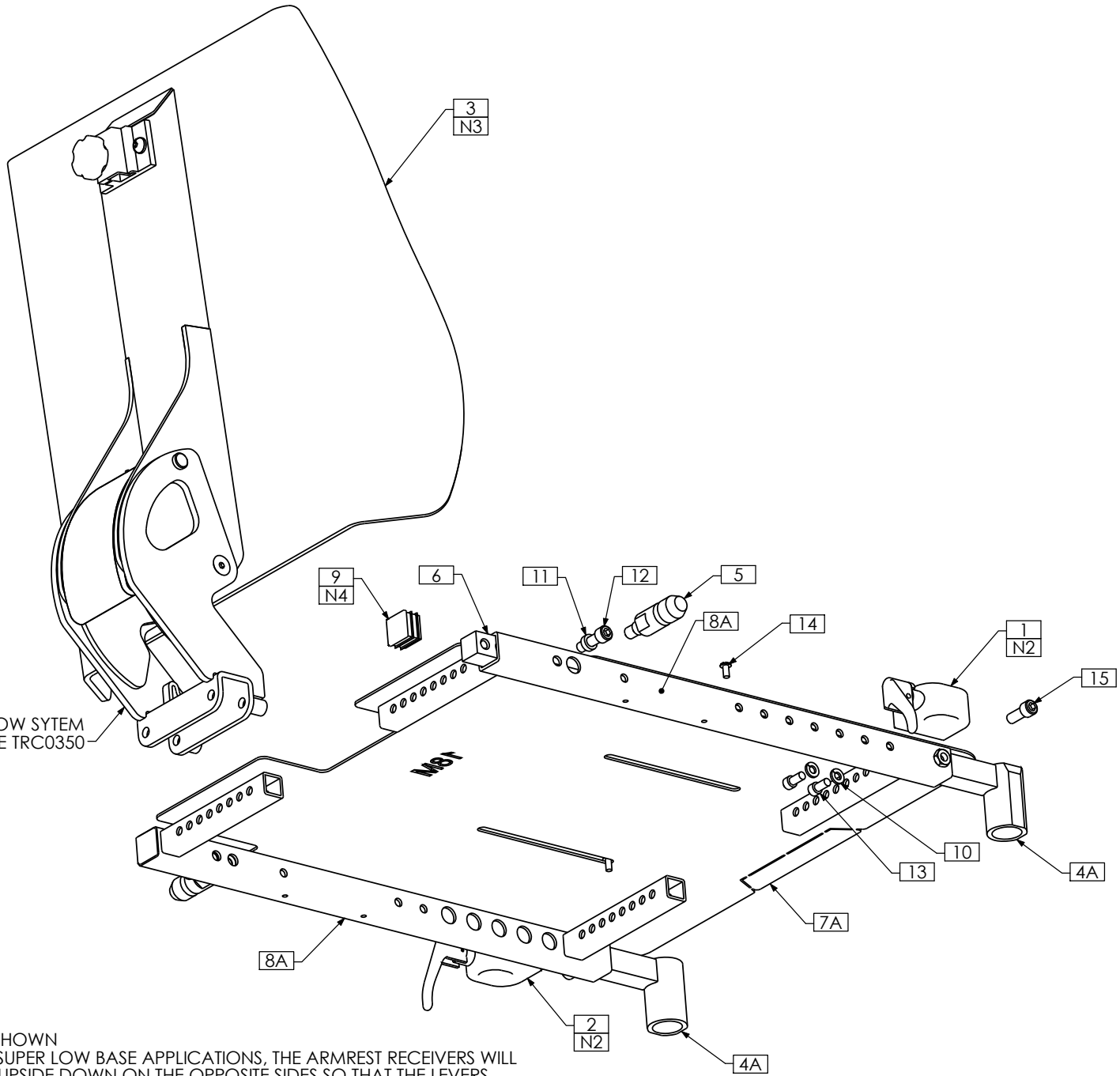


- NOTES:
 1. N/S = NOT SHOWN
 2. REFER TO TRC0189 FOR SPECIFIC BASE ROD END/SPACER CONFIGURATIONS AND ROD END HARDWARE
 3. SEAT PAN NOT SHOWN

ITEM NO.	QTY.	PART NO.	DESCRIPTION	ITEM NO.	QTY.	PART NO.	DESCRIPTION
1	1	TRC0189	SEAT FRAME ASS'Y	6	12	TRH0113	1/4" HI COLLAR LOCK WASHER
2	1	TRC0553	UPPER SEAT ASS'Y, SINGLE POST BACK	7	7	TRH0201	1/4-20 NYLOC NUT
3	13	TRH0101	1/4" FLAT WASHER	8	6	TRH0301	1/4-20 x 1 1/2" HEX HEAD CAP SCREW
4	2	TRH0107	5/16" FLAT WASHER	9	2	TRH0315	5/16-18 x 1 3/4" SOCKET HEAD CAP SCREW GR8
5	2	TRH0108	5/16" LOCK WASHER	10	1	TRH0409	1/4-20 x 3/4" FLAT SOCKET CAP SCREW

TRC0553 - UPPER SEAT ASS'Y, SINGLE POST BACK, ADJUSTABLE SEAT DEPTH

REVISION: 06/24/2009



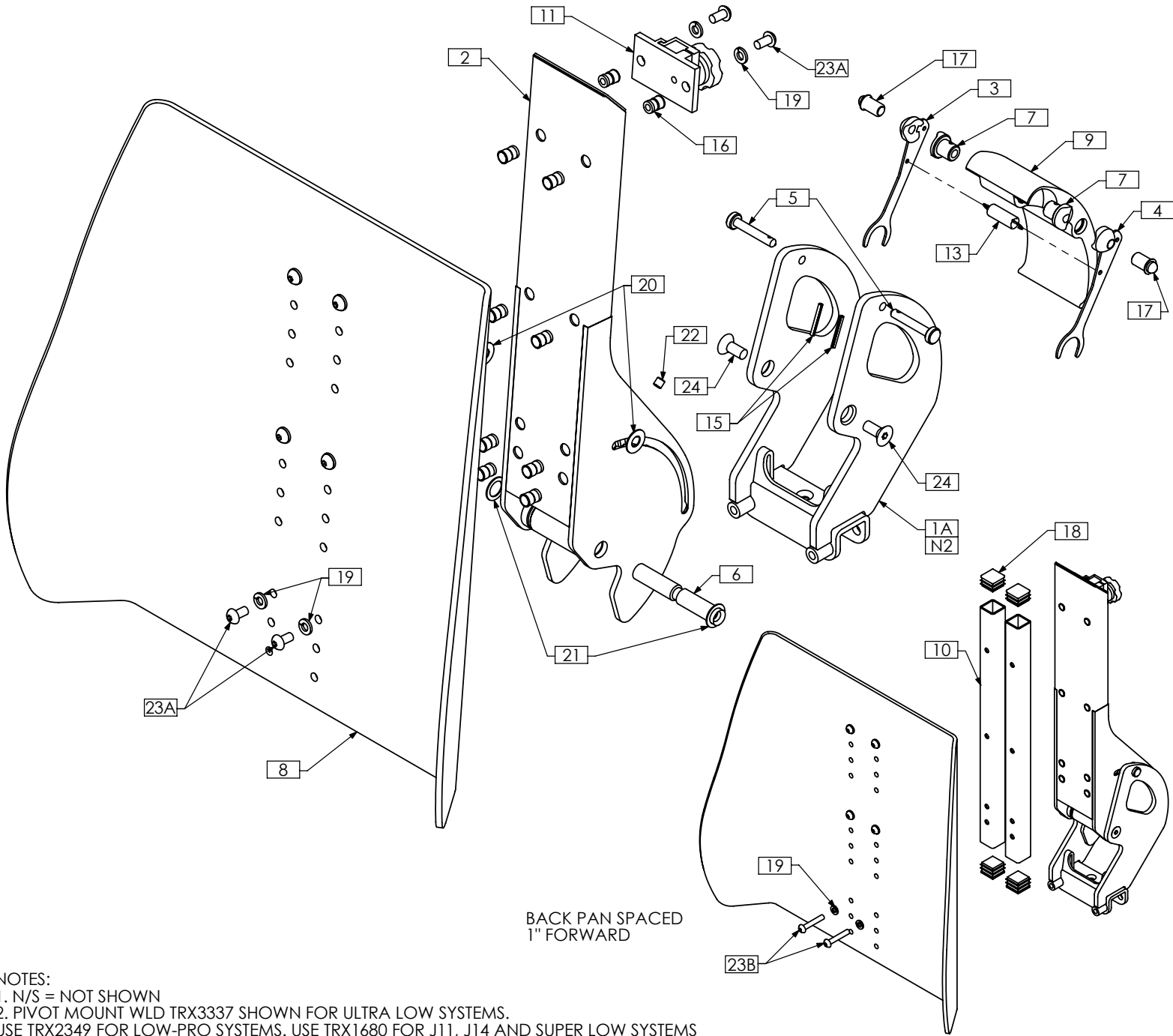
FOR ULTRA LOW SYTEM
SEE TRC0350

NOTES:

1. N/S = NOT SHOWN
2. FOR SOME SUPER LOW BASE APPLICATIONS, THE ARMREST RECEIVERS WILL BE MOUNTED UPSIDE DOWN ON THE OPPOSITE SIDES SO THAT THE LEVERS WILL POINT UP WHEN ENGAGED TO AVOID COLLIDING WITH THE BASE COWL
3. SHOWN FOR KIT ONLY. FOR FASTENING HARDWARE, SEE TRC0363 FOR CGT APPLICATIONS AND TRC0364 FOR SUPER LOW APPLICATIONS
4. ITEM 9 NOT USED WITH MEDIUM DEPTH SEAT SIDE FRAMES

ITEM NO.	QTY.	PART NO.	DESCRIPTION	ITEM NO.	QTY.	PART NO.	DESCRIPTION	
1	1	TRC0126	FRONT ARMREST RECEIVER ASS'Y, RIGHT	8A	2	TRX3414	SEAT SIDE WLD	
2	1	TRC0127	FRONT ARMREST RECEIVER ASS'Y, LEFT	8B	N/S	2	TRX3413	MEDIUM SEAT SIDE WLD
3	1	TRC0350	SINGLE POST BACK ASS'Y	9	2	TRM0107	SQUARE TUBE CAP	
4A	1	TRC0535	LEGREST RECEIVER SELECTION	10	4	TRH0115	1/4" LOCK WASHER	
4B	N/S	1	TRC0552	CENTER MOUNT LEGREST RECEIVER SELECTION	11	2	TRH0135	0.32"ID x 1/2"OD x 0.170" NYLON WASHER
5	2	TRX1722	SHORT MOUNTING PIN	12	2	TRH0317	5/16-18 x 1" SOCKET HEAD CAP SCREW GR8	
6	2	TRX1742	MOUNTING PIN INSERT	13	4	TRH0459	1/4-20 x 1/2" SOCKET HEAD CAP SCREW GR8	
7A	1	TRX3262	SEAT PAN, 16DP - 19DP	14	4	TRH0475	#10-32 x 3/8" BUTTON SOCKET CAP SCREW	
7B	N/S	1	TRX3261	SEAT PAN, 14DP - 17DP	15	2	TRH0517	5/16-24 x 3/4" SOCKET HEAD CAP SCREW GR8
7C	N/S	1	TRX3357	SEAT PAN, 19DP - 22DP				

TRC0350 - SINGLE POST BACK ASS'Y



NOTES:

- 1. N/S = NOT SHOWN
- 2. PIVOT MOUNT WLD TRX3337 SHOWN FOR ULTRA LOW SYSTEMS.
USE TRX2349 FOR LOW-PRO SYSTEMS. USE TRX1680 FOR J11, J14 AND SUPER LOW SYSTEMS

ITEM NO.	QTY.	PART NO.	DESCRIPTION	ITEM NO.	QTY.	PART NO.	DESCRIPTION
1A	1	TRX3337	PIVOT MOUNT WLD	13	1	TRM0494	EXTENSION SPRING
1B N/S	1	TRX2349	PIVOT MOUNT WLD	14A N/S	1	TRS0020	CONTOUR BACK CUSHION ASS'Y
1C N/S	1	TRX1680	PIVOT MOUNT WLD	14B N/S	1	TRS0022	CONTOUR BACK CUSHION ASS'Y, ONYX
2	1	TRX1684	PIVOT BACK WLD	15	2	TRH0003	SPLIT PIN
3	1	TRX1690	CAM WLD, RIGHT	16	10	TRH0054	1/4-20 THREADED INSERT
4	1	TRX1691	CAM WLD, LEFT	17	2	TRH0059	BULLET PLUNGER
5	2	TRX1695	CAM PIN	18	4	TRM0107	SQUARE TUBE CAP
6	1	TRX1696	PIVOT PIN	19	8	TRH0115	1/4" LOCK WASHER
7	2	TRX1702	CAM INSERT	20	2	TRH0132	0.35"ID x 3/4"OD x 0.032" NYLON WASHER
8	1	TRX1809	BACK PAN, RECESSED	21	2	TRH0136	1/2"ID x 3/4"OD x 0.032" NYLON WASHER
9	1	TRX2467	LOCKING HANDLE	22	1	TRH0336	SET SCREW, 0.25 x 0.25
10	2	TRX2905	SPACER POST	23A	8	TRH0429	1/4-20 x 1/2" BUTTON SOCKET CAP SCREW
11	1	TRM0036	HEADREST CLAMP ASS'Y	23B	6	TRH0420	1/4-20 x 1 1/2" BUTTON SOCKET CAP SCREW
12 N/S	5ft	TRM0306	RUBBER EDGE TRIM	24	2	TRH0448	5/16-18 x 3/4" FLAT SOCKET CAP SCREW