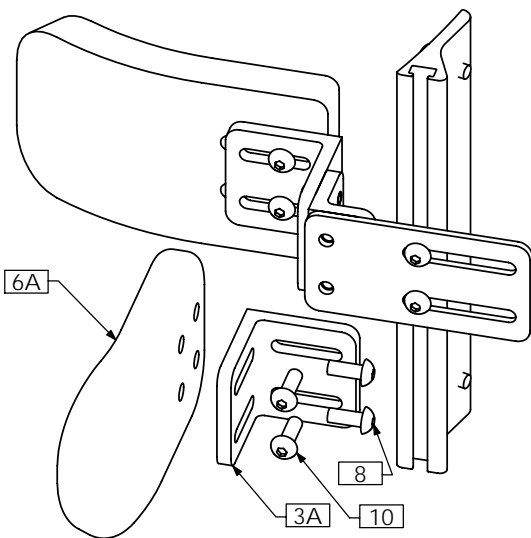
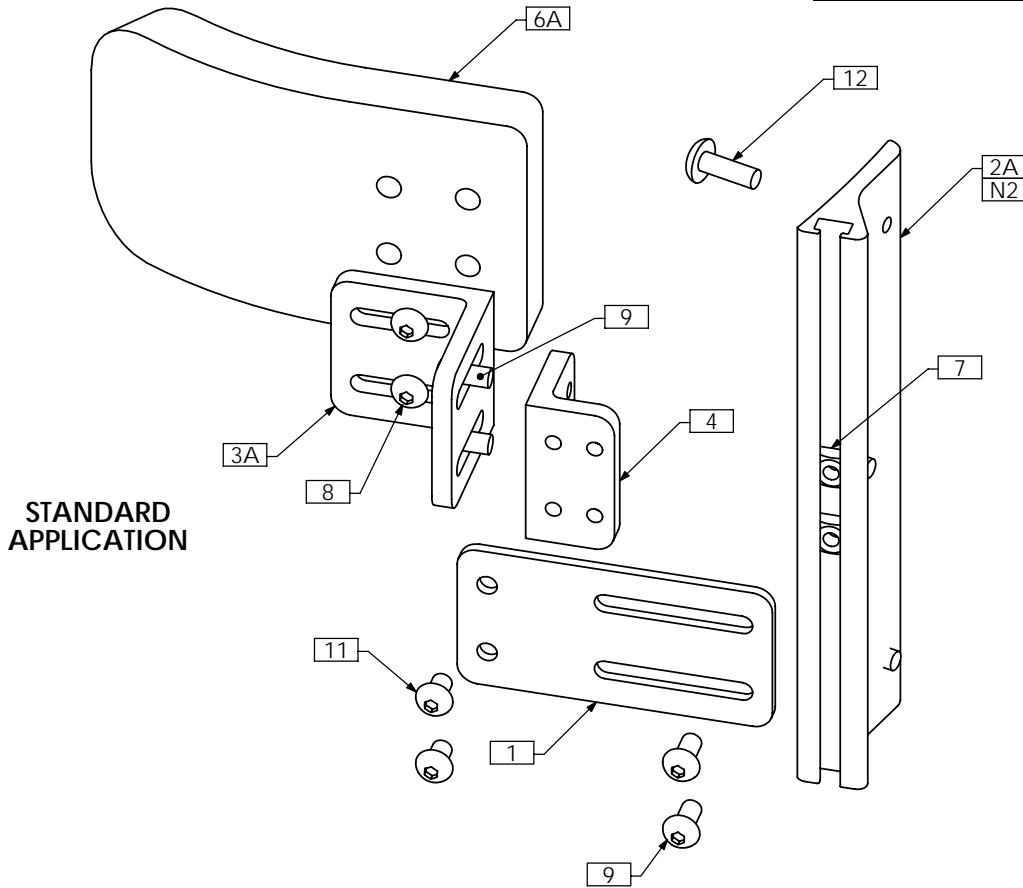


TRC0602 - FIXED LATERALS ASS'Y

PART NUMBER	CONFIGURATION NAME
TRC0602-R	RIGHT SIDE
TRC0602-L	LEFT SIDE



NOTES:

1. N/S = NOT SHOWN
2. SHIM STOCK TO BE USED FOR CERTAIN APPLICATIONS

ITEM NO.	QTY.	PART NO.	DESCRIPTION
1	1	TRX1199	4 INCH EXTENSION PLATE
2A	1	TRX1452	MULTI - RAIL, CURVED RIGID BACK
2B N/S	1	TRX1444	MULTI - RAIL, CONTOUR BACK
2C N/S	1	TRX0714	MULTI-RAIL
3A	1(2)	TRX2273	ADAPTER BRKT, SLOTTED
3B N/S	1	TRX2413	4 INCH "L" BRACKET
4	1	TRX2274	ADAPTER BRKT, 1/4-20
5 N/S	1	TRM0308	NEOPRENE SLEEVE
6A	1(2)	TRM0337	PAD, MEDIUM
6B N/S	1	TRM0336	PAD, SMALL
6C N/S	1	TRM0338	PAD, LARGE
6D N/S	1	TRM0542	PAD, EXTRA SMALL
7	2	TRH0232	1/4-20 SQUARE NUT
8	2(4)	TRH0308	1/4-20 x 5/8" BUTTON SOCKET CAP SCREW
9	4	TRH0429	1/4-20 x 1/2" BUTTON SOCKET CAP SCREW
10	0(2)	TRH0445	1/4-20 x 3/4" BUTTON SOCKET CAP SCREW
11	2	TRH0457	1/4-20 x 3/8" BUTTON SOCKET CAP SCREW
12	3	TRH0467	1/4-20 x 3/4" PHILLIPS TRUSS MACHINE SCREW