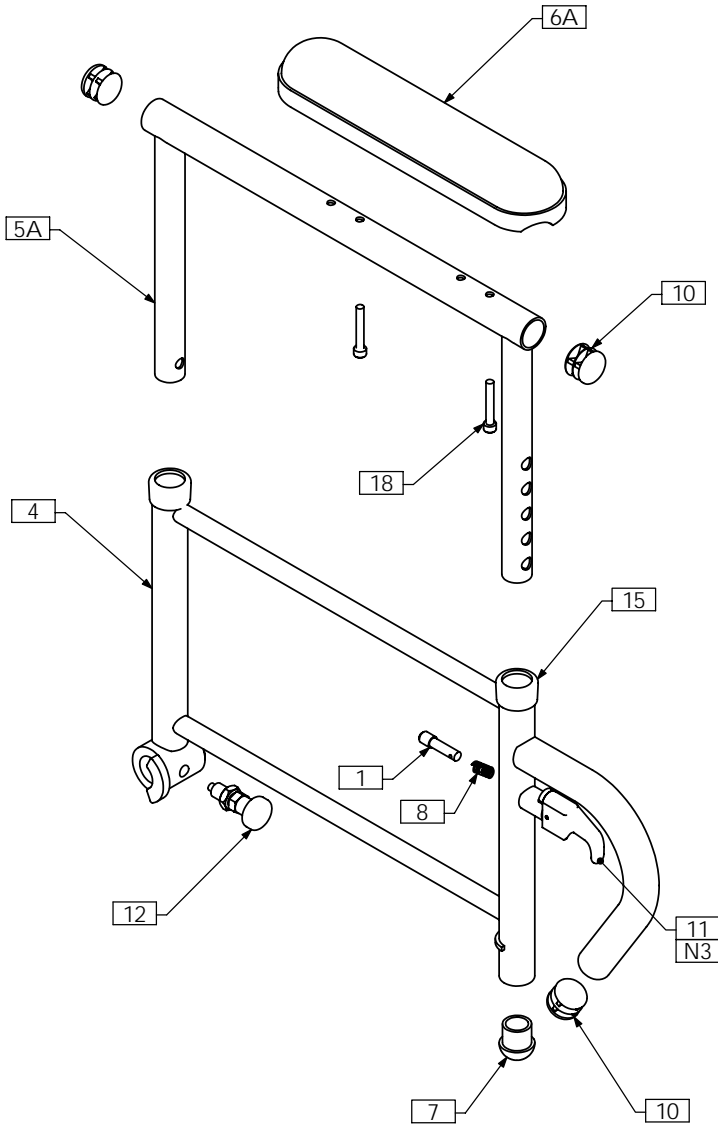
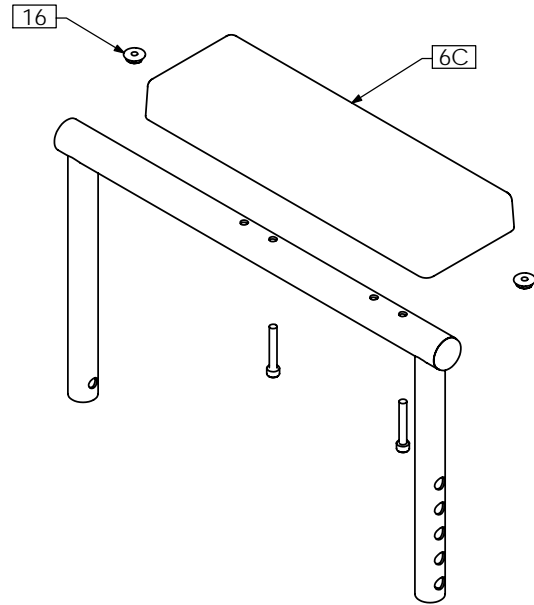


TRC0413 - TILT ARM REST ASS'Y, LEFT, LEVER LOCK

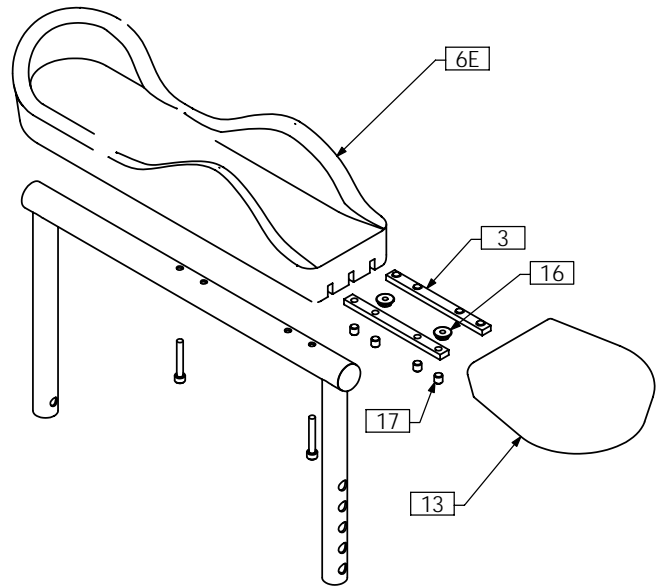
STANDARD ARM PAD



FLAT ARM PAD - NOTE 2



CONTOUR ARM TROUGH - NOTE 2



- NOTES:
 1. N/S = NOT SHOWN
 2. OPTIONAL - AS PER ORDER
 3. KIT INCLUDES - TRM0096, TRM0098, TRM0105. TRM0105 NOT USED

ITEM NO.	QTY.	PART NO.	DESCRIPTION	ITEM NO.	QTY.	PART NO.	DESCRIPTION
1	1	TRX0320	PLUNGER	7	1	TRM0012	ROD CAP
2A N/S	1	TRX0352	ARMREST EXTENSION	8	1	TRM0097	SPRING
2B N/S	1	TRX1549	ARMREST EXTENSION	9 N/S	1	TRM0100	FOAM GRIP 8"
3	2	TRX1644	CLAMPING BAR	10	3	TRM0130	7/8" ROUND FLAT ROD CAP
4	1	TRX2379	LOWER FRAME WLD	11	1	TRM0196	FLIP ARM LEVER KIT
5A	1	TRX2381	UPPER FRAME WLD	12	1	TRM0214	PLUNGER
5B N/S	1	TRX2822	MEDIUM UPPER FRAME WLD	13	1	TRM0325	FLAT HAND PAD
5C N/S	1	TRX2825	EXTENDED UPPER FRAME WLD	14 N/S	1	TRM0390	LARGE ARM COVER WRAP
6A	1	TRM0019	STANDARD ARM PAD - DESK LENGTH	15	2	TRM0431	REDUCER CAP, 7/8" - 3/4"
6B N/S	1	TRM0013	STANDARD ARM PAD - FULL LENGTH	16	2	TRH0209	#10-32 HEX FLANGE NUT
6C	1	TRM0002	FLAT ARM PAD - DESK LENGTH	17	8	TRH0336	SET SCREW, 0.25 x 0.25
6D N/S	1	TRM0003	FLAT ARM PAD - FULL LENGTH	18	2	TRH0337	#10-32 x 1/4" SOCKET HEAD CAP SCREW GR8
6E	1	TRM0323	CONTOUR ARM TROUGH - LEFT				