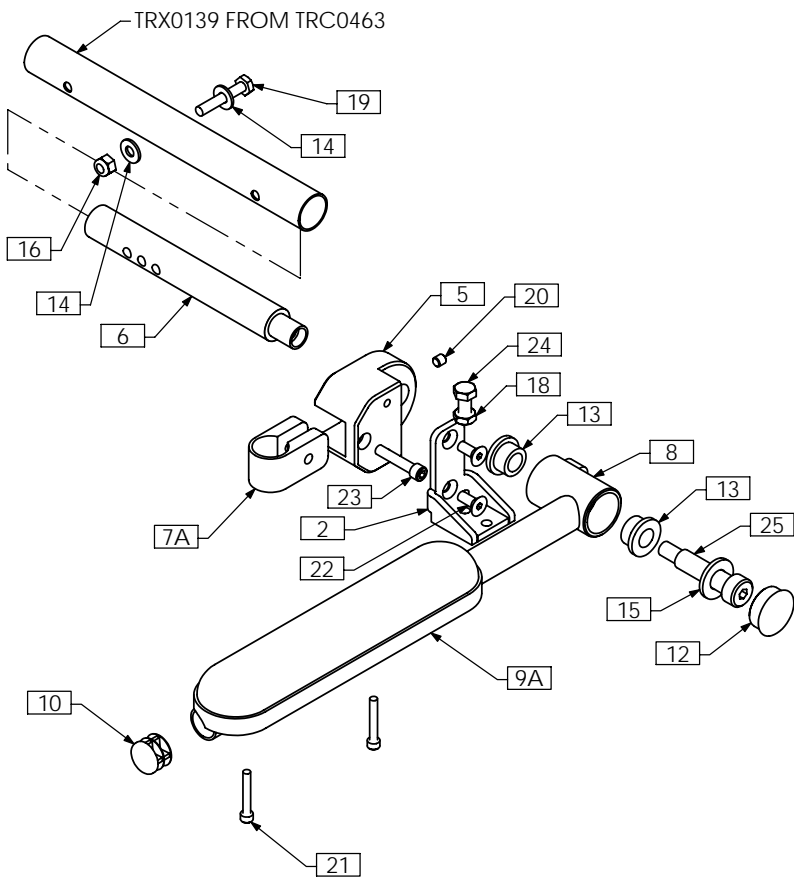
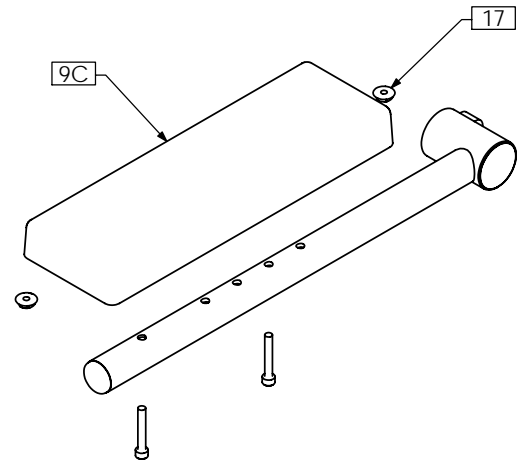


TRC0464 - CANTI-LEVER ARM REST ASS'Y, LEFT, TILT-ONLY

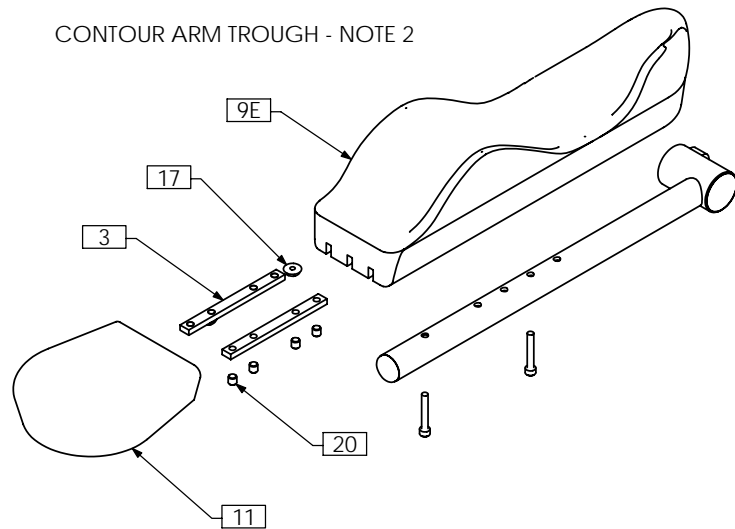
STANDARD ARM PAD



FLAT ARM PAD - NOTE 2



CONTOUR ARM TROUGH - NOTE 2



NOTES:
 1. N/S = NOT SHOWN
 2. OPTIONAL AS PER ORDER

ITEM NO.	QTY.	PART NO.	DESCRIPTION	ITEM NO.	QTY.	PART NO.	DESCRIPTION
1A N/S	1	TRX0352	ARMREST EXTENSION	11	1	TRM0325	FLAT HAND PAD
1B N/S	1	TRX1549	ARMREST EXTENSION	12	1	TRM0493	1" ROUND DOMED ROD CAP
2	1	TRX1396	CANTILEVER ARMREST SUPPORT	13	2	TRH0052	1/2"ID x 3/4"OD x 0.5" FLANGED BRONZE BUSHING
3	2	TRX1644	CLAMPING BAR	14	2	TRH0101	1/4" FLAT WASHER
5	1	TRX2600	CANTILEVER ARMREST REAR RECEIVER	15	1	TRH0127	1/2" FLAT WASHER
6	1	TRX2601	CROSS SUPPORT BAR	16	1	TRH0201	1/4-20 NYLOC NUT
7A	1	TRX3220	CLAMPING BLOCK 0.875 TUBE	17	2	TRH0209	#10-32 HEX FLANGE NUT
7B N/S	1	TRX2684	CLAMPING BLOCK	18	1	TRH0236	5/16-18 SHALLOW HEX JAM NUT
8	1	TRX2722	CANTILEVER ARMREST WLD	19	1	TRH0301	1/4-20 x 1 1/2" HEX HEAD CAP SCREW
9A	1	TRM0019	STANDARD ARM PAD - DESK LENGTH	20	1(9)	TRH0336	SET SCREW, 0.25 x 0.25
9B N/S	1	TRM0013	STANDARD ARM PAD - FULL LENGTH	21	2	TRH0337	#10-32 x 1 1/4" SOCKET HEAD CAP SCREW GR8
9C	1	TRM0002	FLAT ARM PAD - DESK LENGTH	22	2	TRH0349	1/4-20 x 5/8" FLAT SOCKET CAP SCREW
9D N/S	1	TRM0003	FLAT ARM PAD - FULL LENGTH	23	1	TRH0419	1/4-20 x 1 1/4" SOCKET HEAD CAP SCREW GR8
9E	1	TRM0323	CONTOUR ARM TROUGH - LEFT	24	1	TRH0493	5/16-18 x 3/4" HEX HEAD CAP SCREW
10	1	TRM0130	7/8" ROUND FLAT ROD CAP	25	1	TRH0535	1/2 x 1 3/4" SOCKET HEAD SHOULDER BOLT