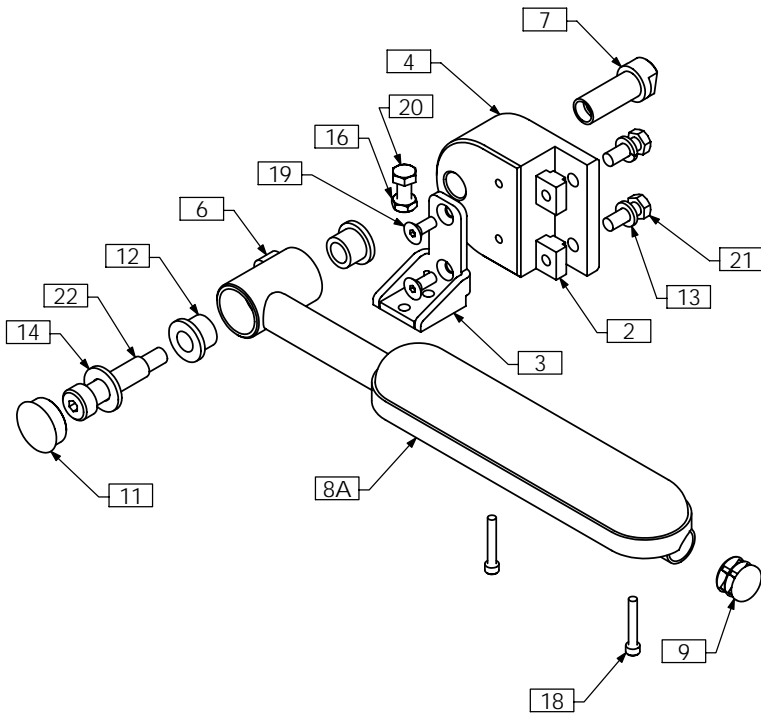
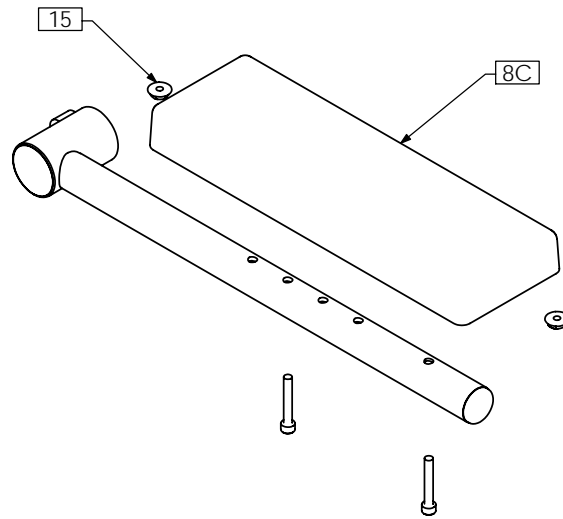


TRC0465 - CANTI-LEVER ARM REST ASS'Y, RIGHT, RECLINE

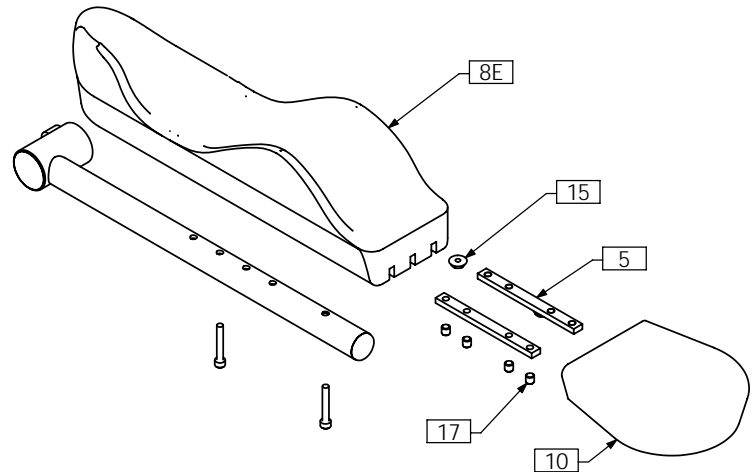
STANDARD ARM PAD



FLAT ARM PAD - NOTE 2



CONTOUR ARM TROUGH - NOTE 2



NOTES:
 1. N/S = NOT SHOWN
 2. OPTIONAL AS PER ORDER

ITEM NO.	QTY.	PART NO.	DESCRIPTION	ITEM NO.	QTY.	PART NO.	DESCRIPTION
1A N/S	1	TRX0352	ARMREST EXTENSION	10	1	TRM0325	FLAT HAND PAD
1B N/S	1	TRX1549	ARMREST EXTENSION	11	1	TRM0493	1" ROUND DOMED ROD CAP
2	2	TRX0571	T-NUT, 5/16-18	12	2	TRH0032	1/2"ID x 3/4"OD x 5/8" FLANGED BRONZE BUSHING
3	1	TRX1396	CANTILEVER ARMREST SUPPORT	13	2	TRH0108	5/16" LOCK WASHER
4	1	TRX1457	CANTILEVER ARMREST REAR RECEIVER	14	1	TRH0127	1/2" FLAT WASHER
5	2	TRX1644	CLAMPING BAR	15	2	TRH0209	#10-32 HEX FLANGE NUT
6	1	TRX2722	CANTILEVER ARMREST WLD	16	1	TRH0236	5/16-18 SHALLOW HEX JAM NUT
7	1	TRX2745	ADAPTER SLEEVE	17	8	TRH0336	SET SCREW, 0.25 x 0.25
8A	1	TRM0019	STANDARD ARM PAD - DESK LENGTH	18	2	TRH0337	#10-32 x 1 1/4" SOCKET HEAD CAP SCREW GR8
8B N/S	1	TRM0013	STANDARD ARM PAD - FULL LENGTH	19	2	TRH0349	1/4-20 x 5/8" FLAT SOCKET CAP SCREW
8C	1	TRM0002	FLAT ARM PAD - DESK LENGTH	20	1	TRH0493	5/16-18 x 3/4" HEX HEAD CAP SCREW
8D N/S	1	TRM0003	FLAT ARM PAD - FULL LENGTH	21	2	TRH0507	5/16-18 x 7/8" HEX HEAD CAP SCREW
8E	1	TRM0324	CONTOUR ARM TROUGH - RIGHT	22	1	TRH0535	1/2 x 1 3/4" SOCKET HEAD SHOULDER BOLT
9	1	TRM0130	7/8" ROUND FLAT ROD CAP				