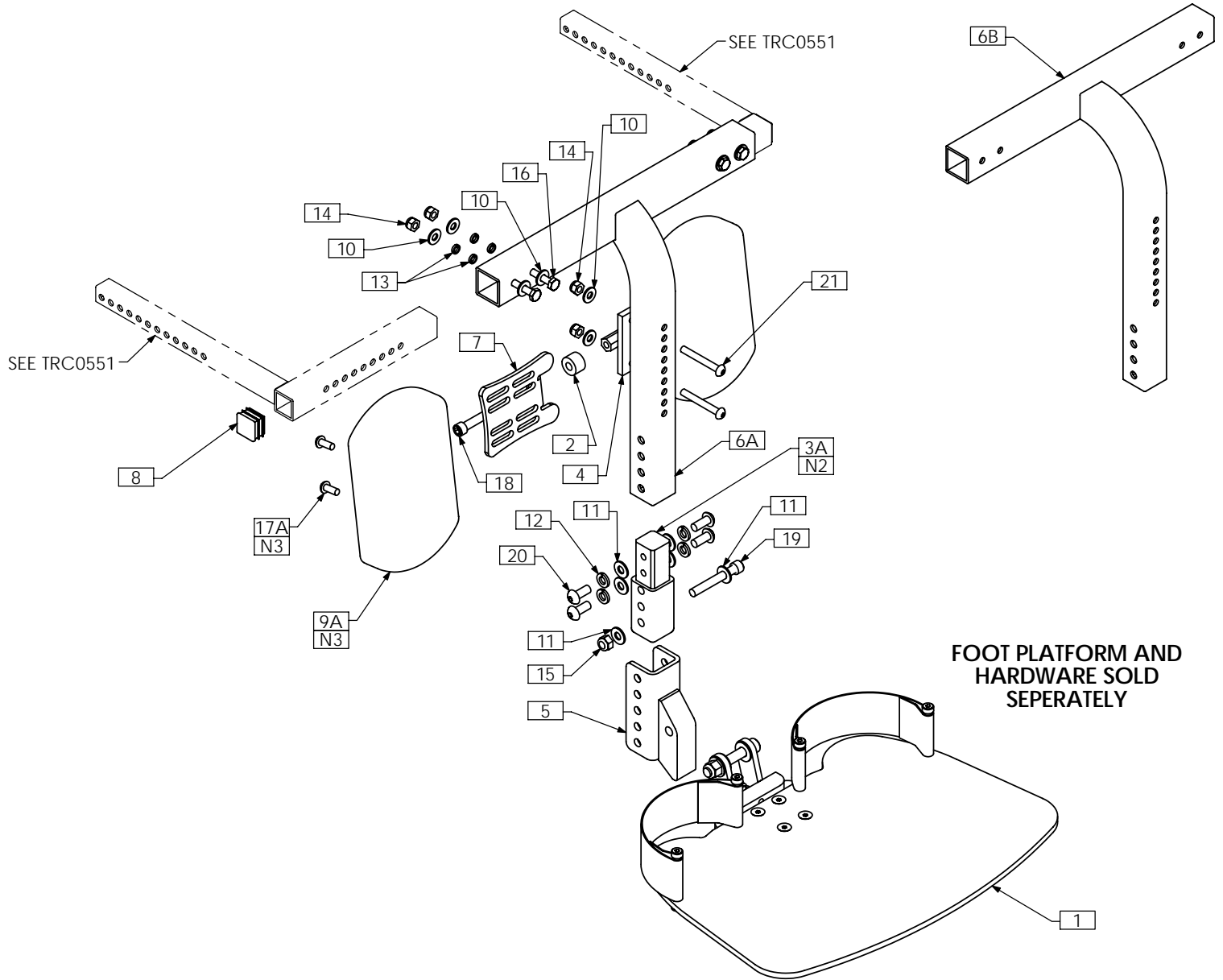


TRC0389 - FIXED CENTER MOUNT, FOOT PLATFORM ASS'Y



- NOTES:
 1. N/S = NOT SHOWN
 2. ASSEMBLY SHOWN WITH 2.5" EXTENSION.
 3. USE ITEM 17B TO FASTEN P210 CALF PAD - ITEM 9B - NOT SHOWN

ITEM NO.	QTY.	PART NO.	DESCRIPTION	ITEM NO.	QTY.	PART NO.	DESCRIPTION
1	1	TRC0518	CENTER FOOTPLATE ASS'Y	11	6	TRH0107	5/16" FLAT WASHER
2	2	TRX1256-050	SPACER, 5/16 X 3/4	12	4	TRH0108	5/16" LOCK WASHER
3A	1	TRX1450	2.5" EXTENSION TUBE	13	8	TRH0113	1/4" HI COLLAR LOCK WASHER
3B N/S	1	TRX1451	6.5" EXTENSION TUBE	14	6	TRH0201	1/4-20 NYLOC NUT
4	1	TRX1455	CALF PAD MOUNTING PLATE WLD	15	1	TRH0206	5/16-18 NYLOC NUT
5	1	TRX1537	FOOTPLATE ADAPTER WLD	16	4	TRH0302	1/4-20 x 1 3/4" HEX HEAD CAP SCREW
6A	1	TRX1667	CENTER RECEIVER WLD	17A	4	TRH0308	1/4-20 x 5/8" BUTTON SOCKET CAP SCREW
6B	1	TRX1449	CENTER RECEIVER WLD	17B N/S	4	TRH0445	1/4-20 x 3/4" BUTTON SOCKET CAP SCREW
7	2	TRX3198	CALF PAD MOUNTING BRKT	18	2	TRH0334	5/16-18 x 1 1/4" SOCKET HEAD CAP SCREW GR8
8	2	TRM0107	SQUARE TUBE CAP	19	1	TRH0367	5/16-18 x 2 1/4" SOCKET HEAD CAP SCREW GR8
9A	2	TRM0496	CALF PAD	20	4	TRH0421	5/16-18 x 3/4" BUTTON SOCKET CAP SCREW
9B N/S	2	TRM0249	P210 CALF PAD	21	2	TRH0431	1/4-20 x 2" BUTTON SOCKET CAP SCREW
10	10	TRH0101	1/4" FLAT WASHER				