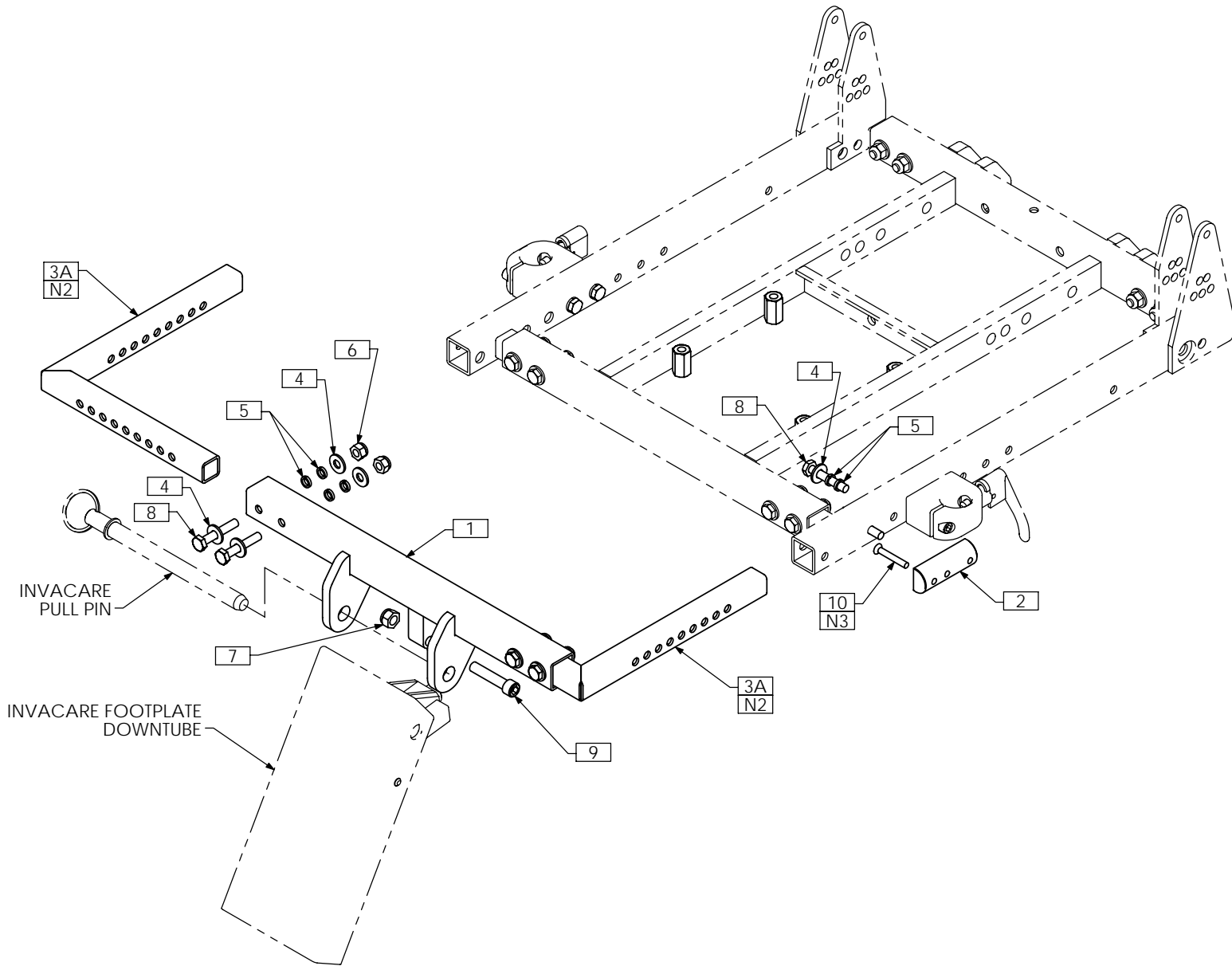


TRC0477 - INVACARE FLIP-UP FOOTPLATE, INTERFACE ASS'Y



NOTES:

1. N/S = NOT SHOWN
2. USE TRX2961 FOR INVACARE ASBA SEAT
3. SECURE INVACARE RELEASE HANDLE TO MOUNT USING EXISTING INVACARE NUT

ITEM NO.	QTY.	PART NO.	DESCRIPTION
1	1	TRX2354	FOOTREST BRACE WLD
2	1	TRX2352	MOUNT BLOCK
3A	2	TRX2528	FRAME INTERFACE WLD
3B N/S	2	TRX2961	CM FOOTPLATE HANGER WLD
4	10	TRH0101	¼" FLAT WASHER
5	12	TRH0113	¼" HI COLLAR LOCK WASHER
6	4	TRH0201	¼-20 NYLOC NUT
7	1	TRH0206	5/16-18 NYLOC NUT
8	6	TRH0301	¼-20 x 1½" HEX HEAD CAP SCREW
9	1	TRH0332	5/16-18 x 1½" SOCKET HEAD CAP SCREW GR8
10	1	TRH0516	#10-32 x 1¼" FLAT PHILIPS MACHINE SCREW