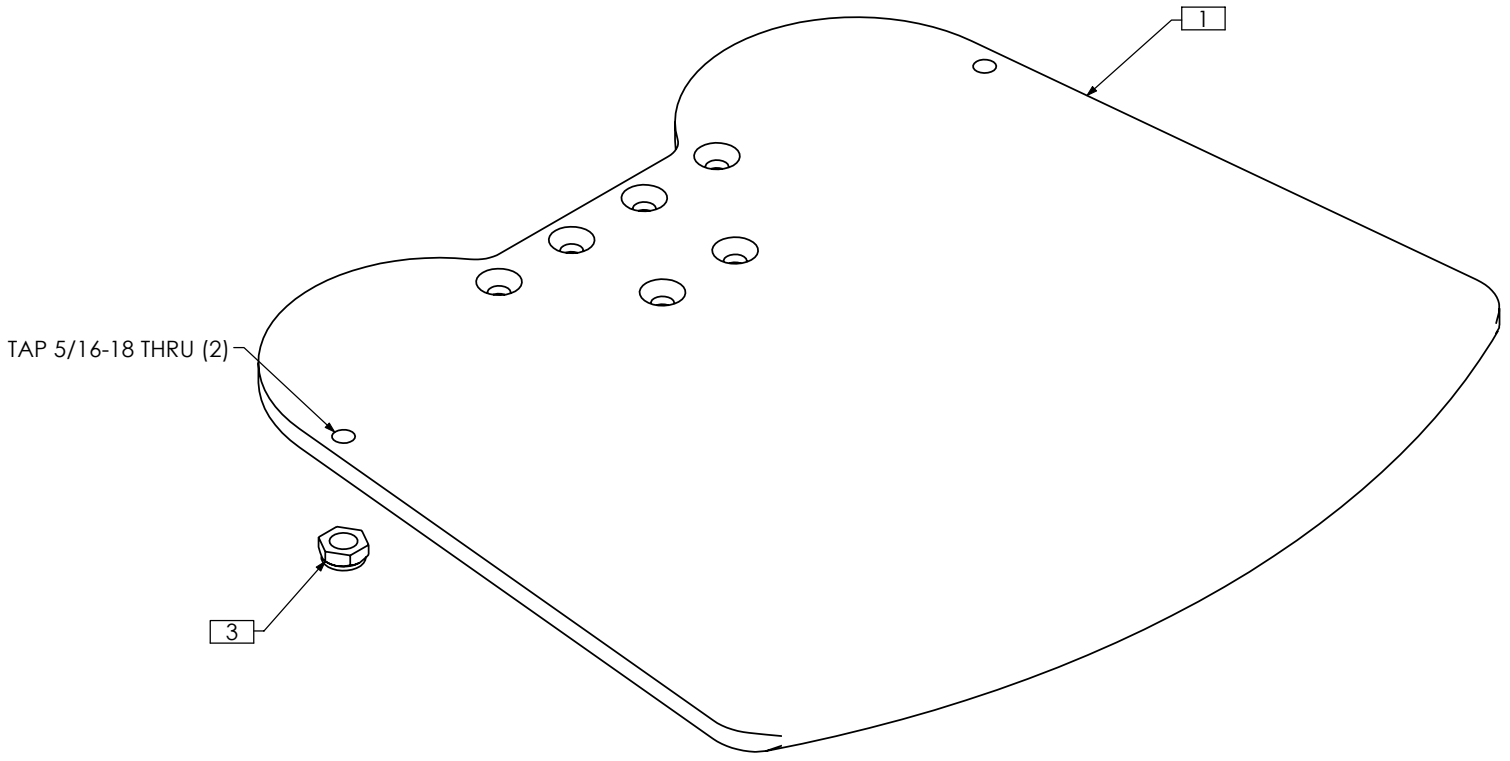
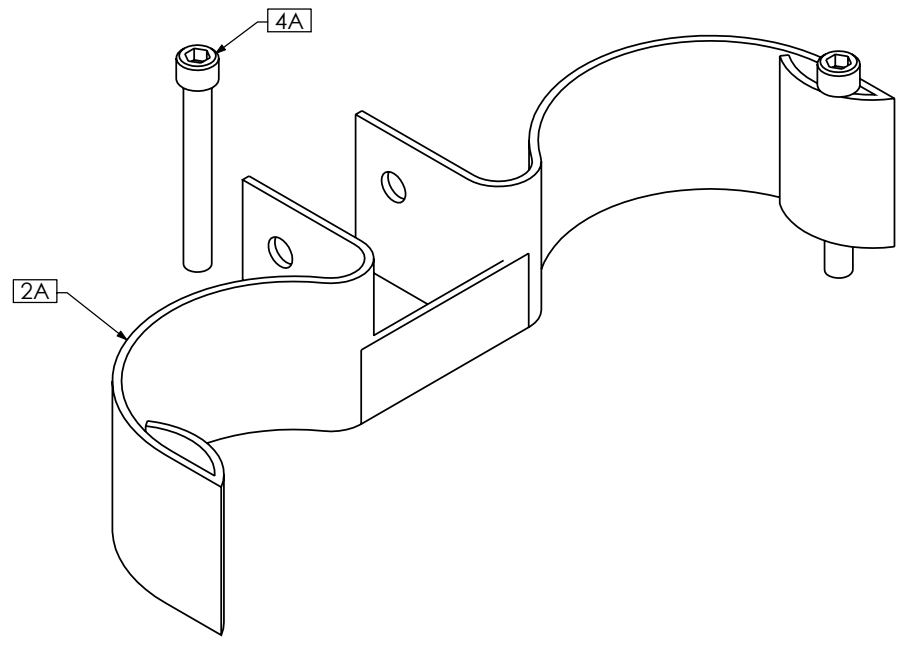


TRC0571 - CENTER FOOTPLATE ASS'Y, 12" X 10"

REVISION: 02/27/2008



NOTES:
 1. N/S = NOT SHOWN
 2. USE ITEMS 3, 4B AND 5 WITH LOW PROFILE STRAP ITEM 2B

ITEM NO.	QTY.	PART NO.	DESCRIPTION
1	1	TRX3126	ALUMINUM FOOTPLATE
2A	1	TRM0537	HEEL STRAP
2B N/S	2	TRM0691	HEEL STRAP, LOW PROFILE
3	2 (4)	TRH0207	5/16-18 SHALLOW NYLOC NUT
4A	2	TRH0356	5/16-18 x 2½" SOCKET HEAD CAP SCREW GR8
4B N/S	2	TRH0332	5/16-18 x 1½" SOCKET HEAD CAP SCREW GR8
5 N/S	2	TRH0315	5/16-18 x 1¾" SOCKET HEAD CAP SCREW GR8