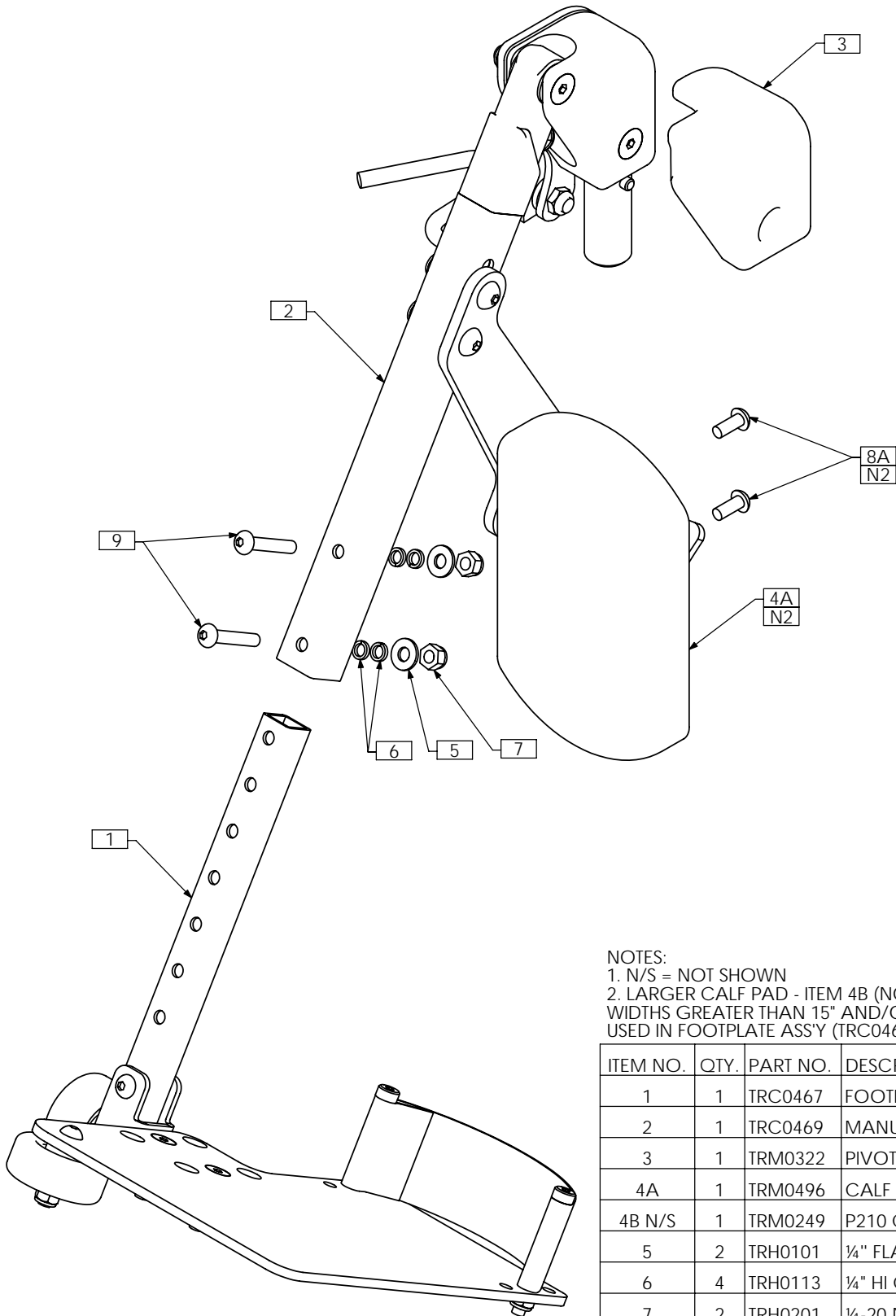


I N D E P E N D E N T



# TRC0320 - MANUAL ELEVATING LEGREST ASS'Y, RIGHT

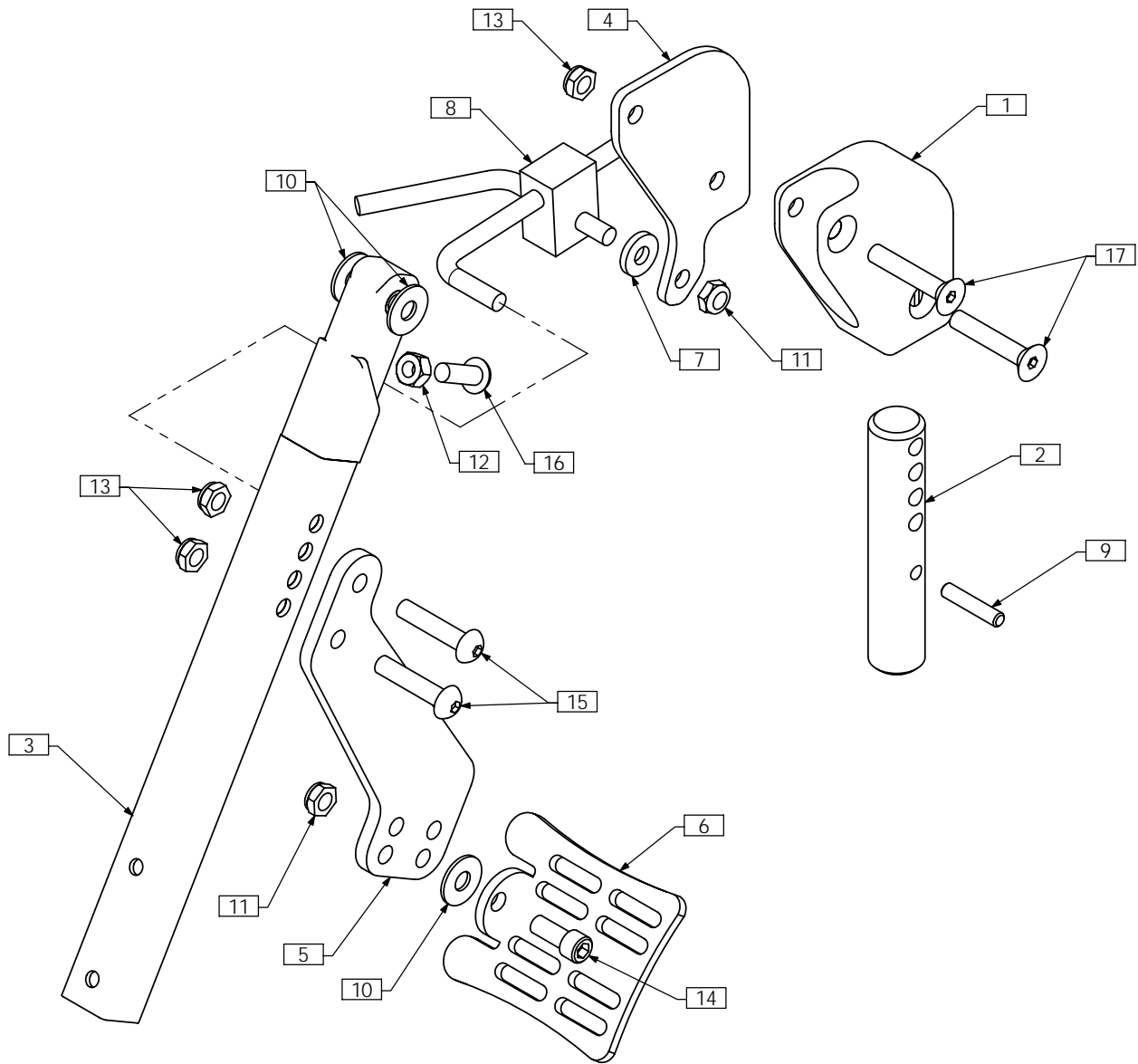


**NOTES:**

1. N/S = NOT SHOWN
2. LARGER CALF PAD - ITEM 4B (NOT SHOWN) - IS USED FOR SYSTEMS WITH WIDTHS GREATER THAN 15" AND/OR WHEN LONG EXTENSION TUBES ARE USED IN FOOTPLATE ASS'Y (TRC0467). USE ITEM 8B TO FASTEN ITEM 4B

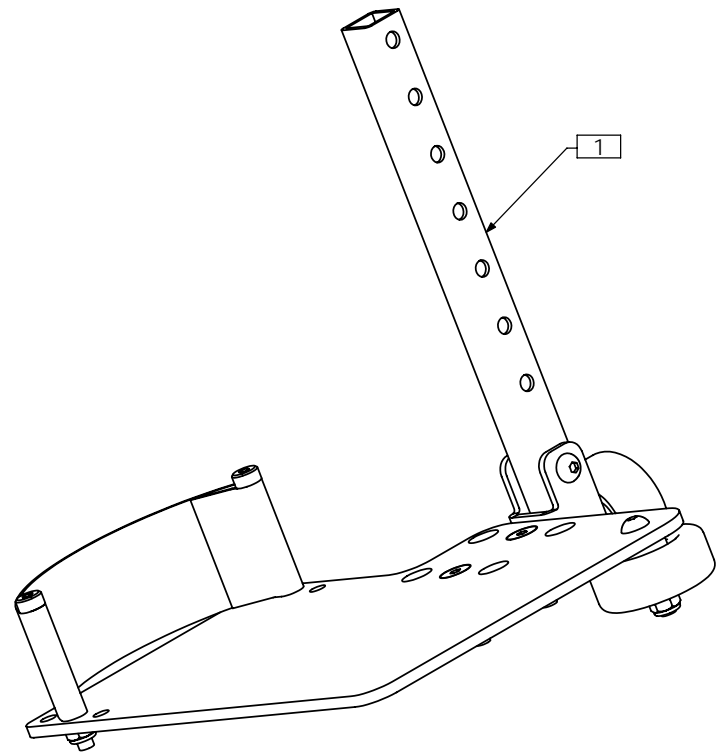
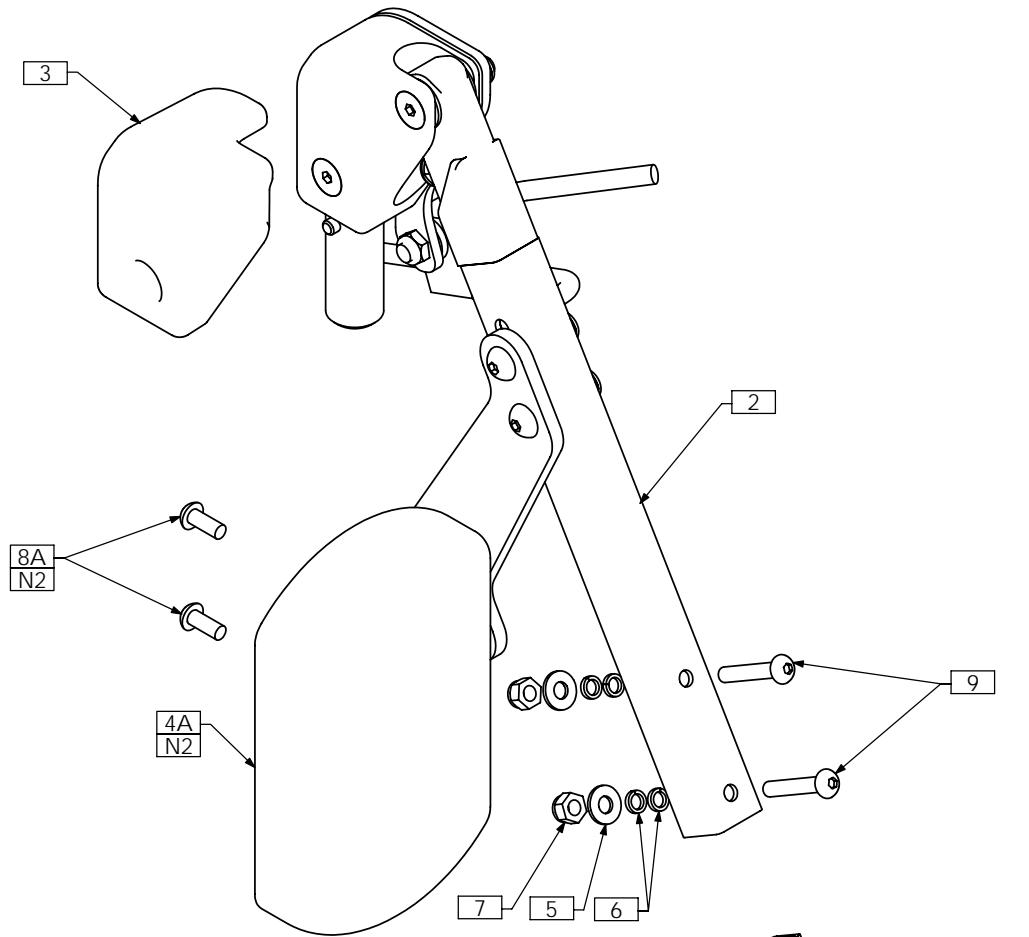
ITEM NO.	QTY.	PART NO.	DESCRIPTION
1	1	TRC0467	FOOTPLATE ASS'Y, RIGHT
2	1	TRC0469	MANUAL ELEVATING DOWNTUBE ASS'Y, RIGHT
3	1	TRM0322	PIVOT PLUS LEG PAD, RIGHT
4A	1	TRM0496	CALF PAD
4B N/S	1	TRM0249	P210 CALF PAD
5	2	TRH0101	¼" FLAT WASHER
6	4	TRH0113	¼" HI COLLAR LOCK WASHER
7	2	TRH0201	¼-20 NYLOC NUT
8A	2	TRH0308	¼-20 x 5/8" BUTTON SOCKET CAP SCREW
8B N/S	2	TRH0445	¼-20 x ¾" BUTTON SOCKET CAP SCREW
9	2	TRH0420	¼-20 x 1½" BUTTON SOCKET CAP SCREW

# TRC0469 - MANUAL ELEVATING DOWNTUBE ASS'Y, RIGHT



ITEM NO.	QTY.	PART NO.	DESCRIPTION	ITEM NO.	QTY.	PART NO.	DESCRIPTION
1	1	TRX0696	PIVOT BLOCK, RIGHT	10	3	TRH0109	5/16" NYLON WASHER
2	1	TRX0697	PIN	11	2	TRH0207	5/16-18 SHALLOW NYLOC NUT
3	1	TRX1155	DOWN TUBE ASS'Y	12	1	TRH0212	5/16-18 HEX NUT
4	1	TRX1264	ADAPTER PLATE	13	4	TRH0230	5/16-24 SHALLOW NYLOC NUT
5	1	TRX1265	CALF PAD MOUNTING BRACKET	14	1	TRH0323	5/16-18 x 3/4" SOCKET HEAD CAP SCREW GR8
6	1	TRX3198	CALF PAD MOUNTING BRKT	15	2	TRH0391	5/16-24 x 1 1/2" BUTTON SOCKET CAP SCREW
7	1	TRM0378	SPACER	16	1	TRH0430	5/16-18 x 7/8" BUTTON SOCKET CAP SCREW
8	1	TRB0367	CAM LOCK KIT	17	2	TRH0494	5/16-24 x 1 3/4" FLAT SOCKET CAP SCREW
9	1	TRH0022	DOWEL PIN, STAINLESS STEEL				

# TRC0319 - MANUAL ELEVATING LEGREST ASS'Y, LEFT

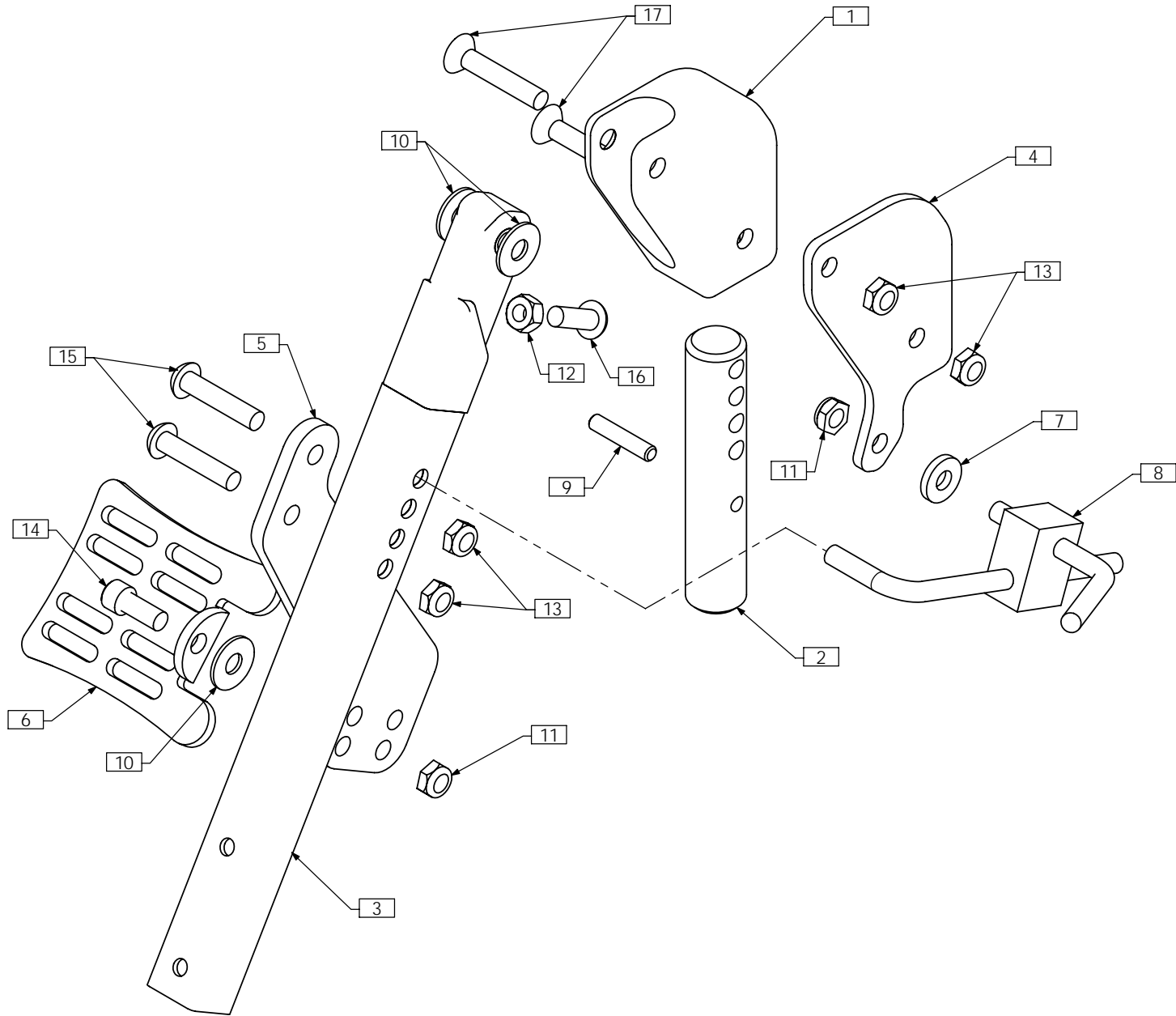


**NOTES:**

- 1. N/S = NOT SHOWN
- 2. LARGER CALF PAD - ITEM 4B (NOT SHOWN) - IS USED FOR SYSTEMS WITH WIDTHS GREATER THAN 15" AND/OR WHEN LONG EXTENSION TUBES ARE USED IN FOOTPLATE ASS'Y (TRC0468). USE ITEM 8B TO FASTEN ITEM 4B

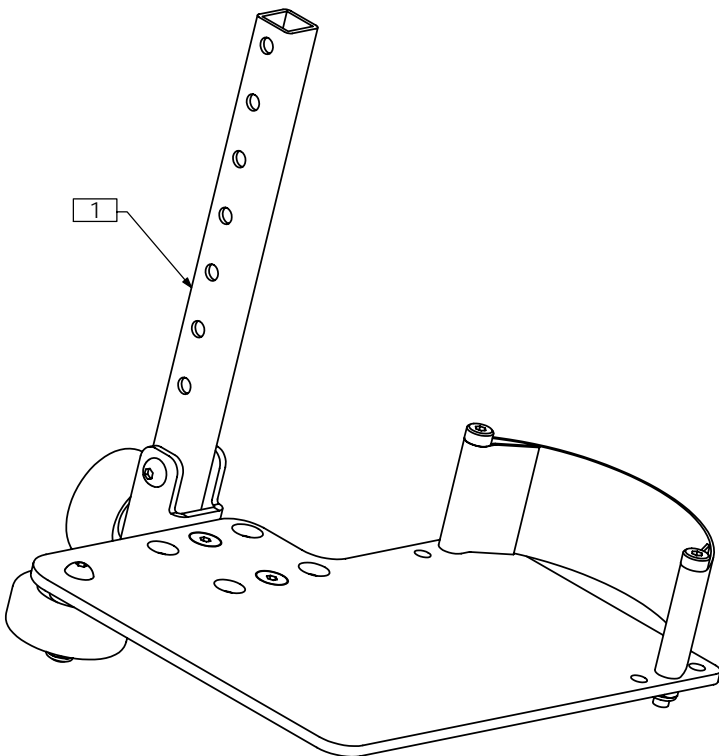
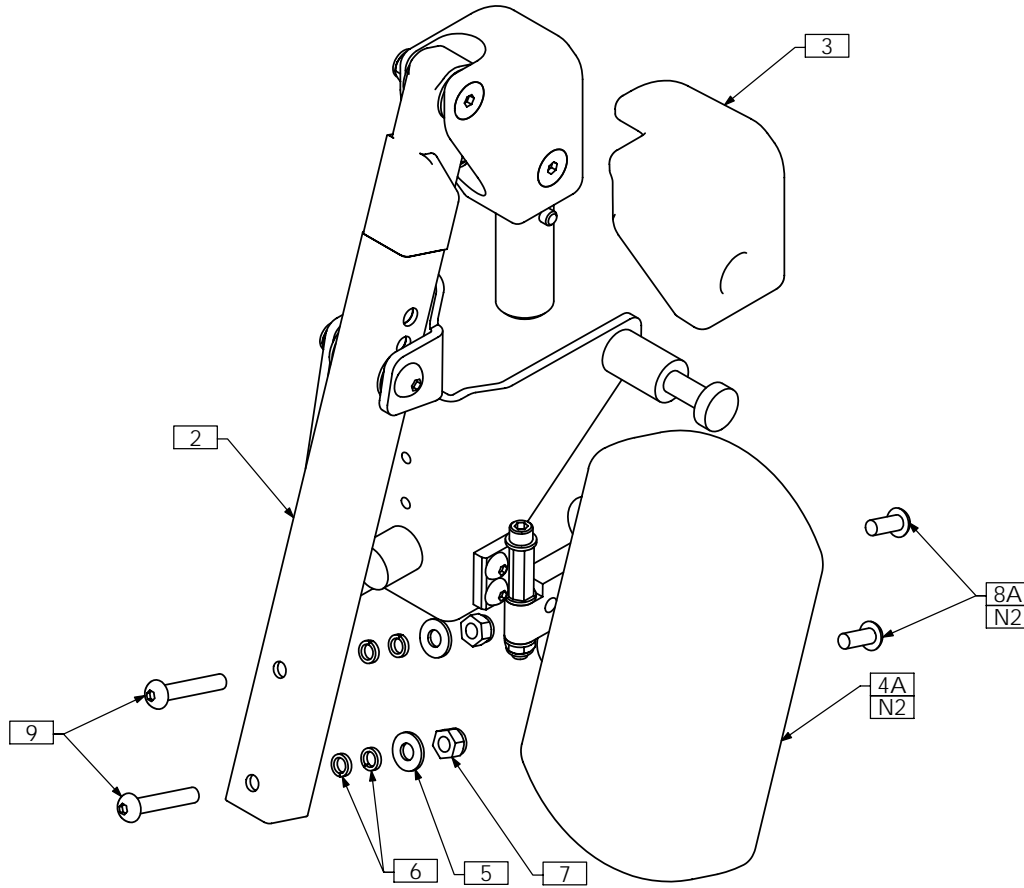
ITEM NO.	QTY.	PART NO.	DESCRIPTION
1	1	TRC0468	FOOTPLATE ASS'Y, LEFT
2	1	TRC0470	MANUAL ELEVATING DOWNTUBE ASS'Y, LEFT
3	1	TRM0321	PIVOT PLUS LEG PAD, LEFT
4A	1	TRM0496	CALF PAD
4B N/S	1	TRM0249	P210 CALF PAD
5	2	TRH0101	¼" FLAT WASHER
6	4	TRH0113	¼" HI COLLAR LOCK WASHER
7	2	TRH0201	¼-20 NYLOC NUT
8A	2	TRH0308	¼-20 x 5/8" BUTTON SOCKET CAP SCREW
8B N/S	2	TRH0445	¼-20 x ¾" BUTTON SOCKET CAP SCREW
9	2	TRH0420	¼-20 x 1½" BUTTON SOCKET CAP SCREW

# TRC0470 - MANUAL ELEVATING DOWNTUBE ASS'Y, LEFT



ITEM NO.	QTY.	PART NO.	DESCRIPTION	ITEM NO.	QTY.	PART NO.	DESCRIPTION
1	1	TRX1395	PIVOT BLOCK, LEFT	10	3	TRH0109	5/16" NYLON WASHER
2	1	TRX0697	PIN	11	2	TRH0207	5/16-18 SHALLOW NYLOC NUT
3	1	TRX1155	DOWN TUBE ASS'Y	12	1	TRH0212	5/16-18 HEX NUT
4	1	TRX1264	ADAPTER PLATE	13	4	TRH0230	5/16-24 SHALLOW NYLOC NUT
5	1	TRX1265	CALF PAD MOUNTING BRACKET	14	1	TRH0323	5/16-18 x 3/4" SOCKET HEAD CAP SCREW GR8
6	1	TRX3198	CALF PAD MOUNTING BRKT	15	2	TRH0391	5/16-24 x 1 1/2" BUTTON SOCKET CAP SCREW
7	1	TRM0378	SPACER	16	1	TRH0430	5/16-18 x 7/8" BUTTON SOCKET CAP SCREW
8	1	TRB0367	CAM LOCK KIT	17	2	TRH0494	5/16-24 x 1 3/4" FLAT SOCKET CAP SCREW
9	1	TRH0022	DOWEL PIN, STAINLESS STEEL				

# TRC0179 - PIVOT PLUS LEGREST ASS'Y, RIGHT

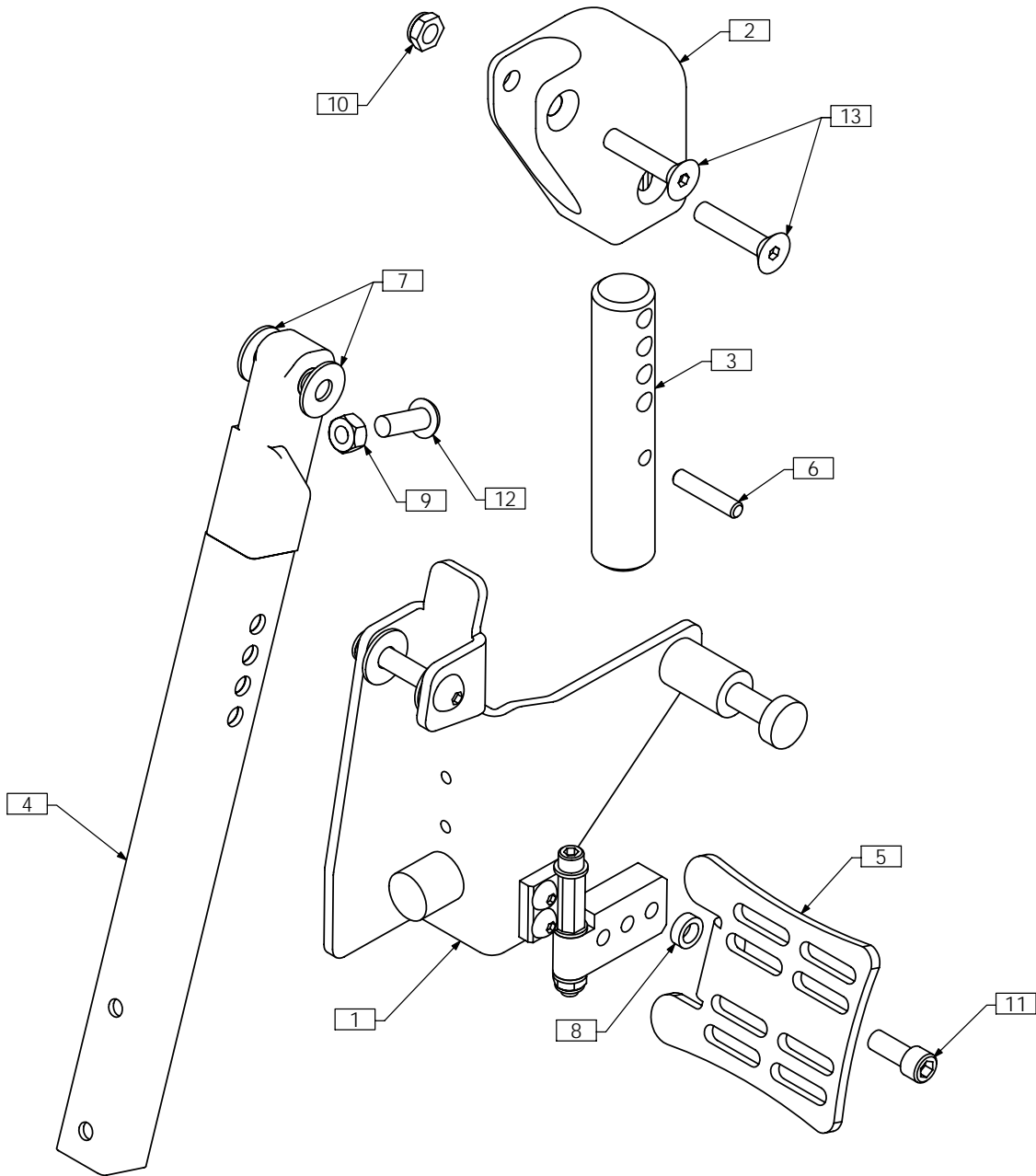


**NOTES:**

1. N/S = NOT SHOWN
2. LARGER CALF PAD - ITEM 4B (NOT SHOWN) - IS USED FOR SYSTEMS WITH WIDTHS GREATER THAN 15" AND/OR WHEN LONG EXTENSION TUBES ARE USED IN FLOORPLATE ASS'Y (TRC0467). USE ITEM 8B TO FASTEN ITEM 4B

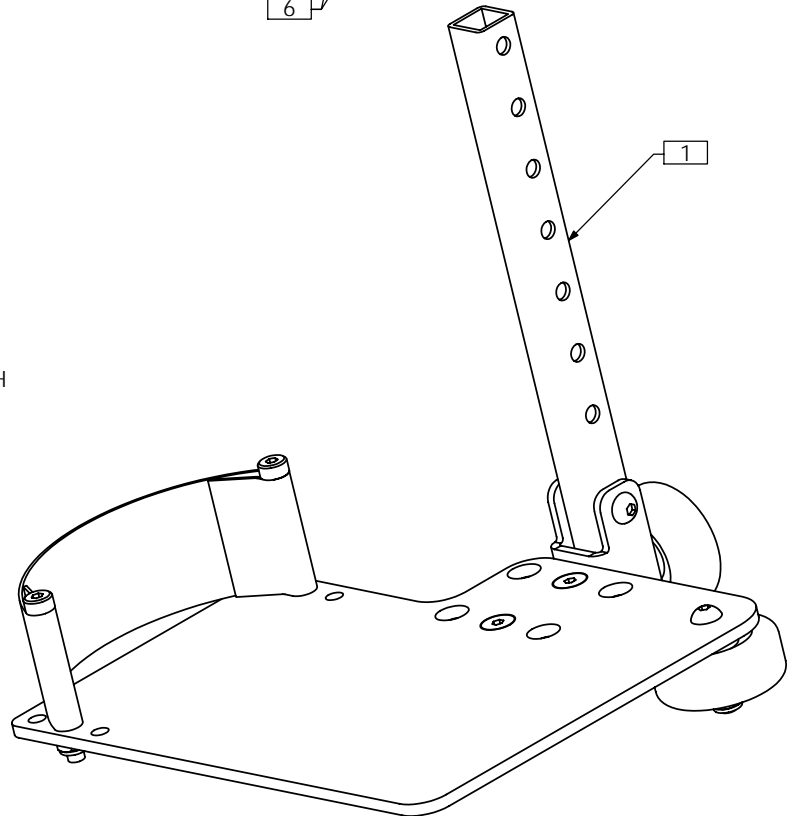
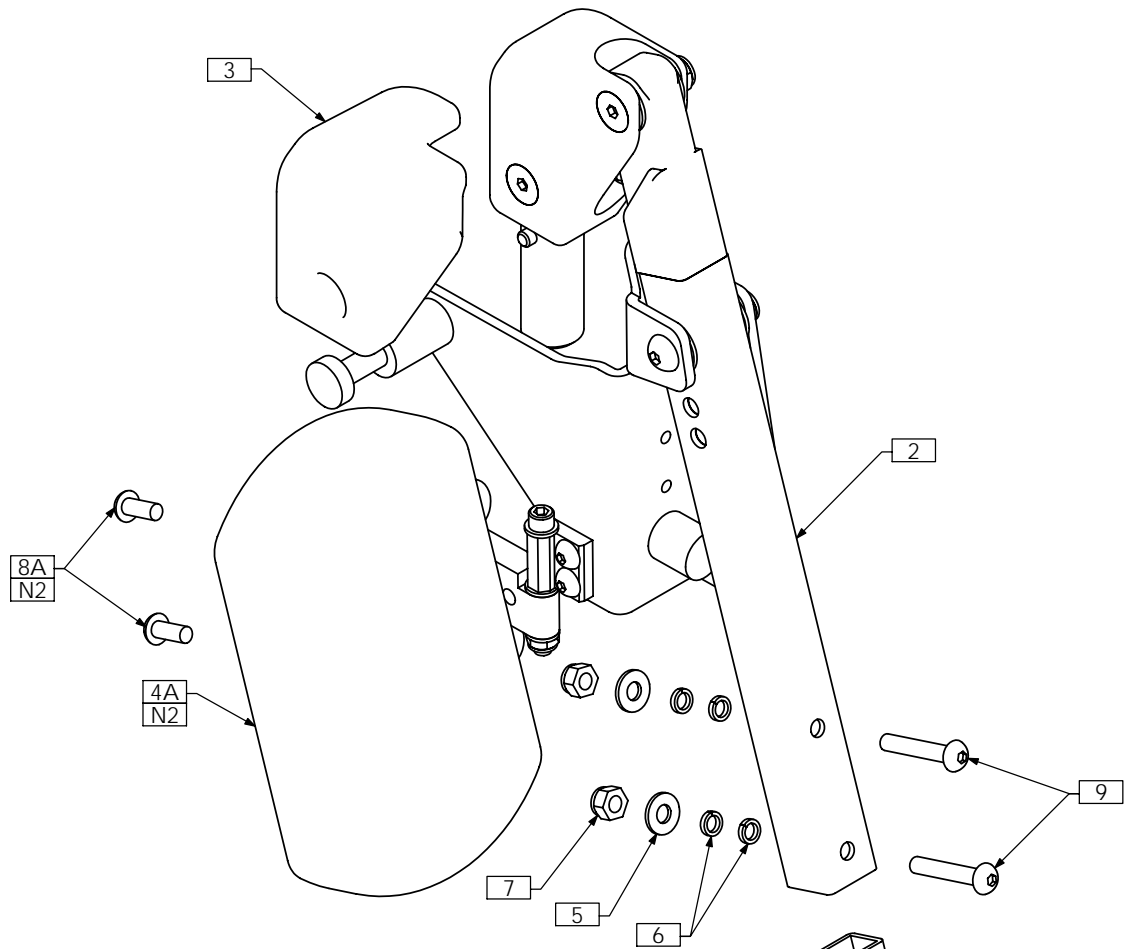
ITEM NO.	QTY.	PART NO.	DESCRIPTION
1	1	TRC0467	FOOTPLATE ASS'Y, RIGHT
2	1	TRC0471	PIVOT PLUS DOWNTUBE ASS'Y, RIGHT
3	1	TRM0322	PIVOT PLUS LEG PAD, RIGHT
4A	1	TRM0496	CALF PAD
4B N/S	1	TRM0249	P210 CALF PAD
5	2	TRH0101	¼" FLAT WASHER
6	4	TRH0113	¼" HI COLLAR LOCK WASHER
7	2	TRH0201	¼-20 NYLOC NUT
8A	2	TRH0308	¼-20 x 5/8" BUTTON SOCKET CAP SCREW
8B N/S	2	TRH0445	¼-20 x ¾" BUTTON SOCKET CAP SCREW
9	2	TRH0420	¼-20 x 1½" BUTTON SOCKET CAP SCREW

# TRC0471 - PIVOT PLUS DOWNTUBE ASS'Y, RIGHT



ITEM NO.	QTY.	PART NO.	DESCRIPTION
1	1	TRC0495	PUSH PLATE ASS'Y, RIGHT
2	1	TRX0696	PIVOT BLOCK, RIGHT
3	1	TRX0697	PIN
4	1	TRX1155	DOWN TUBE ASS'Y
5	1	TRX3198	CALF PAD MOUNTING BRKT
6	1	TRH0022	DOWEL PIN, STAINLESS STEEL
7	2	TRH0109	5/16" NYLON WASHER
8	1	TRH0135	0.32"ID x 1/2"OD x 0.170" NYLON WASHER
9	1	TRH0212	5/16-18 HEX NUT
10	2	TRH0230	5/16-24 SHALLOW NYLOC NUT
11	1	TRH0323	5/16-18 x 3/4" SOCKET HEAD CAP SCREW GR8
12	1	TRH0430	5/16-18 x 7/8" BUTTON SOCKET CAP SCREW
13	2	TRH0495	5/16-24 x 1 1/2" FLAT SOCKET CAP SCREW

# TRC0274 - PIVOT PLUS LEGREST ASS'Y, LEFT

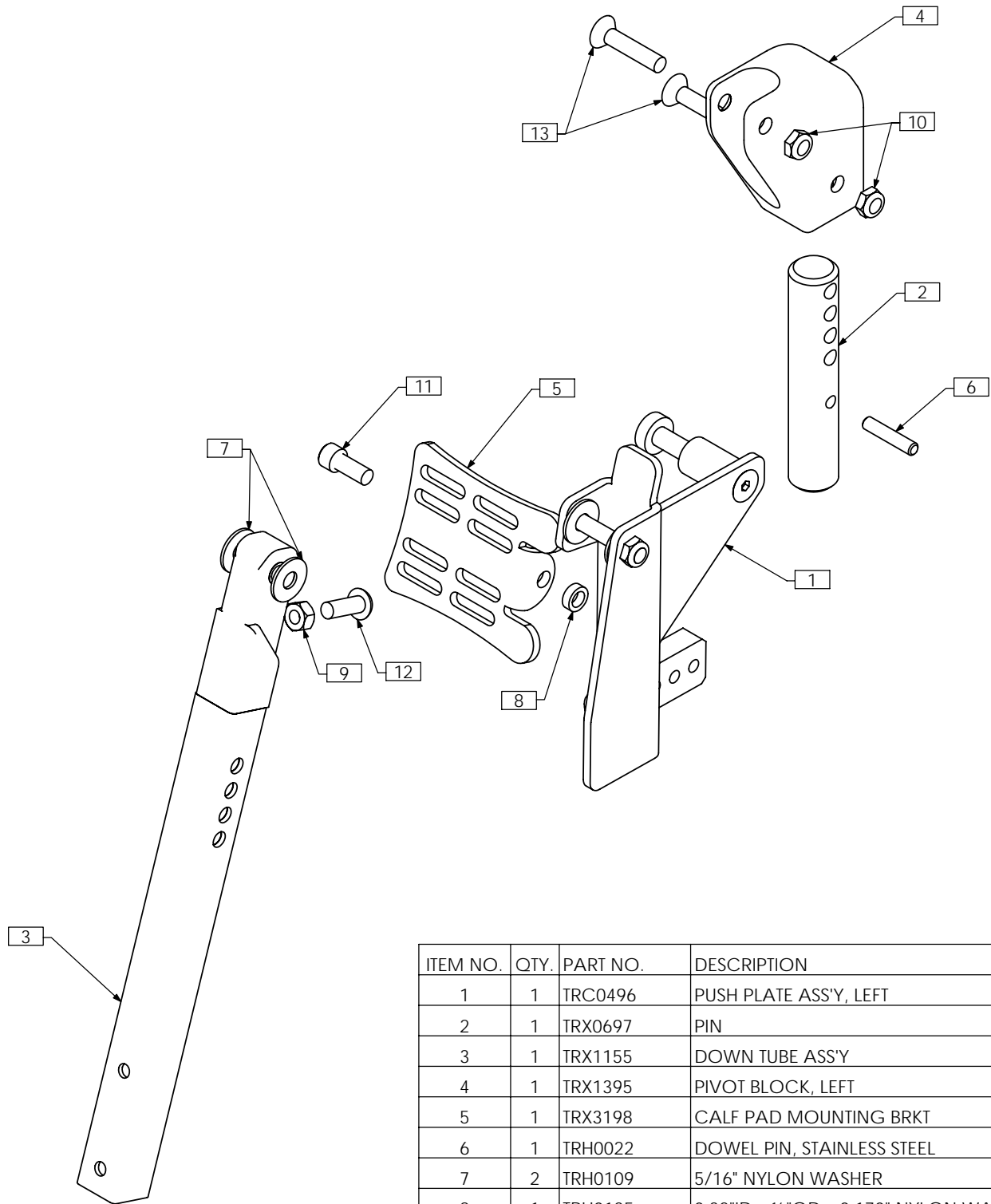


**NOTES:**

- 1. N/S = NOT SHOWN
- 2. LARGER CALF PAD - ITEM 4B (NOT SHOWN) - IS USED FOR SYSTEMS WITH WIDTHS GREATER THAN 15" AND/OR WHEN LONG EXTENSION TUBES ARE USED IN FLOORPLATE ASS'Y (TRC0468). USE ITEM 8B TO FASTEN ITEM 4B

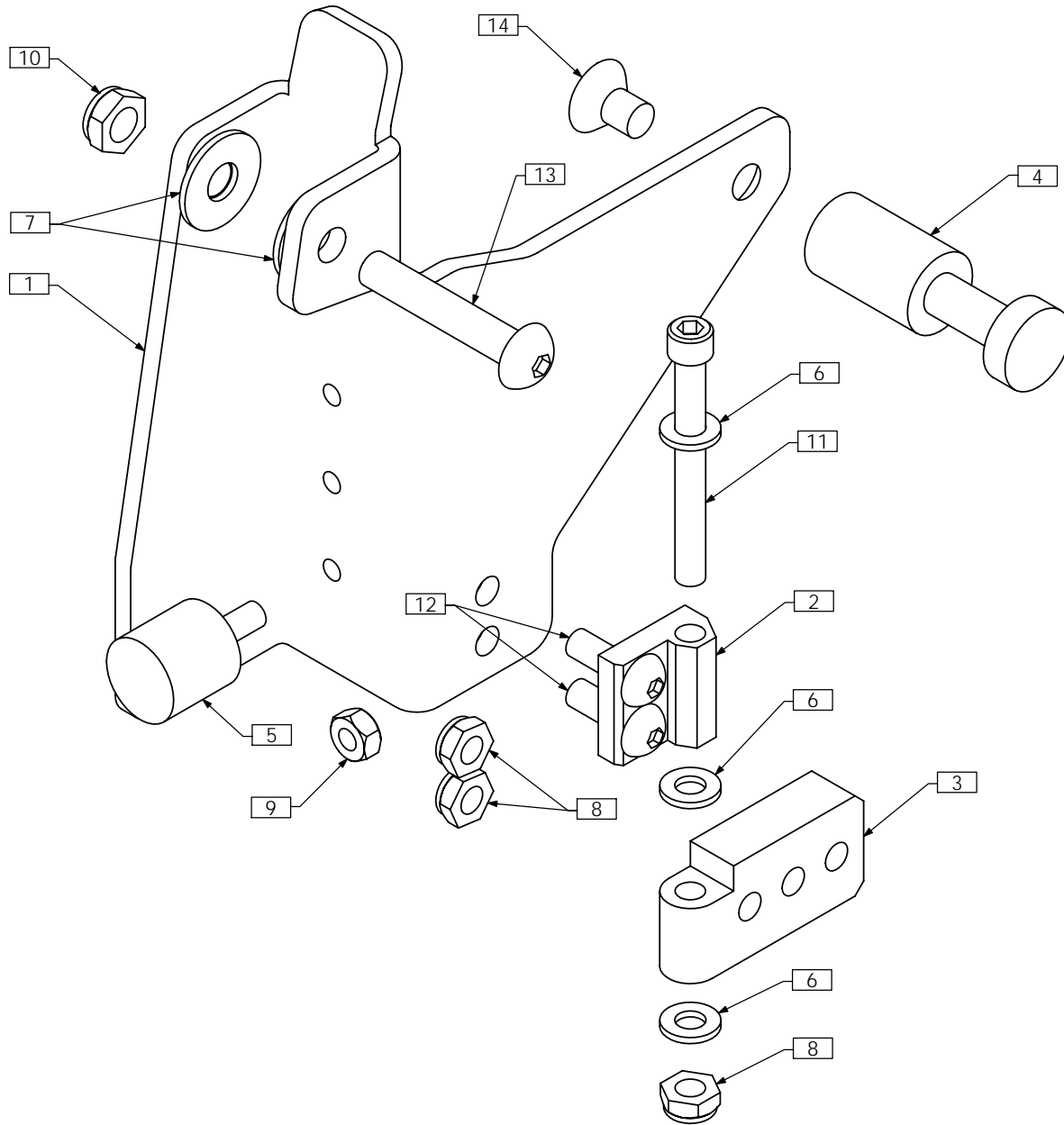
ITEM NO.	QTY.	PART NO.	DESCRIPTION
1	1	TRC0468	FOOTPLATE ASS'Y, LEFT
2	1	TRC0472	PIVOT PLUS DOWNTUBE ASS'Y, LEFT
3	1	TRM0321	PIVOT PLUS LEG PAD, LEFT
4A	1	TRM0496	CALF PAD
4B N/S	1	TRM0249	P210 CALF PAD
5	2	TRH0101	¼" FLAT WASHER
6	4	TRH0113	¼" HI COLLAR LOCK WASHER
7	2	TRH0201	¼-20 NYLOC NUT
8A	2	TRH0308	¼-20 x 5/8" BUTTON SOCKET CAP SCREW
8B N/S	2	TRH0445	¼-20 x ¾" BUTTON SOCKET CAP SCREW
9	2	TRH0420	¼-20 x 1½" BUTTON SOCKET CAP SCREW

# TRC0472 - PIVOT PLUS DOWNTUBE ASS'Y, LEFT



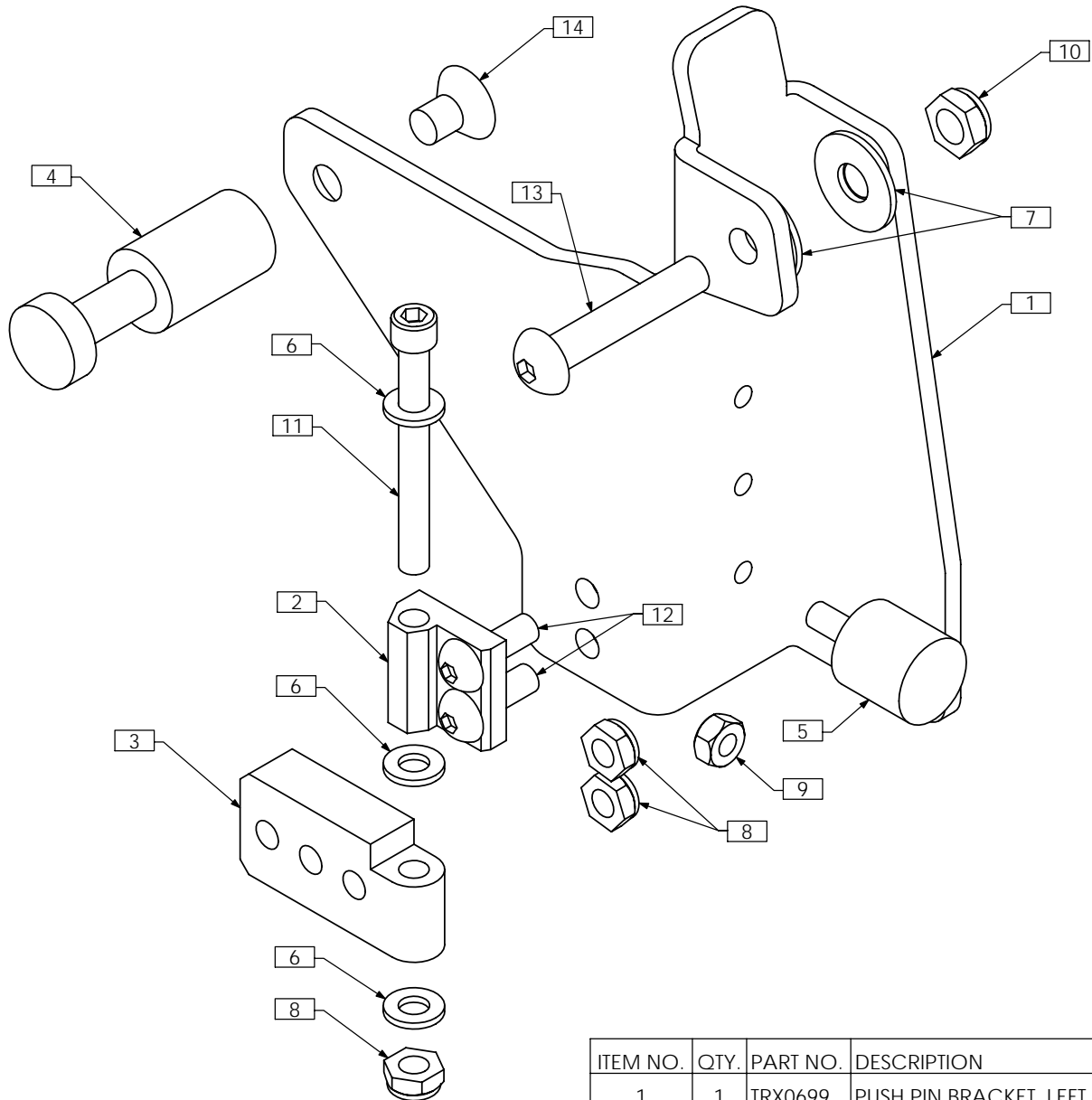
ITEM NO.	QTY.	PART NO.	DESCRIPTION
1	1	TRC0496	PUSH PLATE ASS'Y, LEFT
2	1	TRX0697	PIN
3	1	TRX1155	DOWN TUBE ASS'Y
4	1	TRX1395	PIVOT BLOCK, LEFT
5	1	TRX3198	CALF PAD MOUNTING BRKT
6	1	TRH0022	DOWEL PIN, STAINLESS STEEL
7	2	TRH0109	5/16" NYLON WASHER
8	1	TRH0135	0.32"ID x 1/2"OD x 0.170" NYLON WASHER
9	1	TRH0212	5/16-18 HEX NUT
10	2	TRH0230	5/16-24 SHALLOW NYLOC NUT
11	1	TRH0323	5/16-18 x 3/4" SOCKET HEAD CAP SCREW GR8
12	1	TRH0430	5/16-18 x 7/8" BUTTON SOCKET CAP SCREW
13	2	TRH0495	5/16-24 x 1 1/2" FLAT SOCKET CAP SCREW

# TRC0495 - PUSH PLATE ASS'Y, RIGHT, PIVOT PLUS



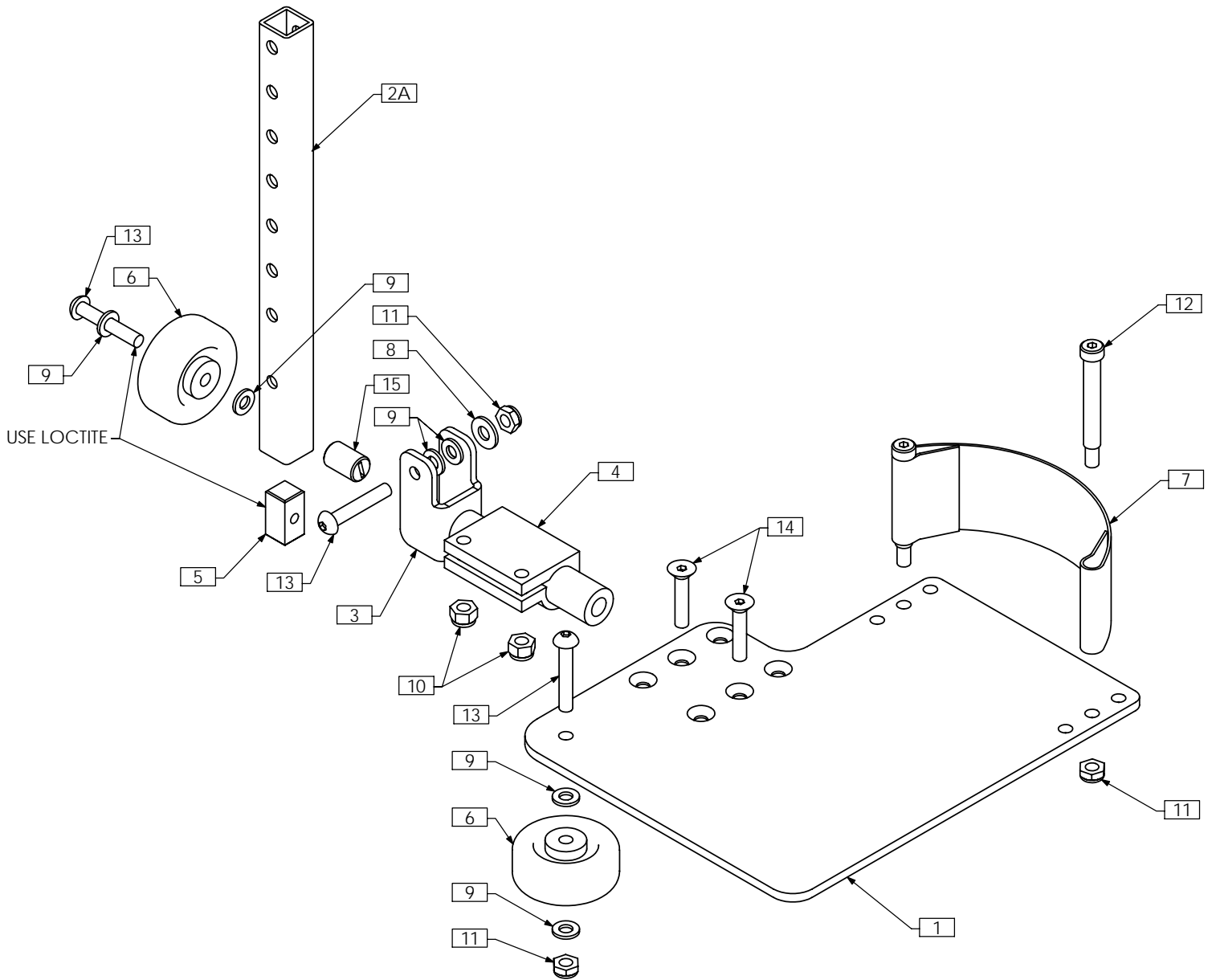
ITEM NO.	QTY.	PART NO.	DESCRIPTION
1	1	TRX0698	PUSH PIN BRACKET, RIGHT
2	1	TRX0702	PIVOT BLOCK, CALF PAD
3	1	TRX0703	MOUNTING PLATE, CALF PAD
4	1	TRX0766	PUSH PIN
5	1	TRH0020	RUBBER BUMPER M6 X 15
6	3	TRH0102	1/4" NYLON WASHER
7	2	TRH0109	5/16" NYLON WASHER
8	3	TRH0202	1/4-20 SHALLOW NYLOC NUT
9	1	TRH0221	M6 HEX NUT
10	1	TRH0230	5/16-24 SHALLOW NYLOC NUT
11	1	TRH0352	1/4-20 x 2 1/4" SOCKET HEAD CAP SCREW GR8
12	2	TRH0445	1/4-20 x 3/4" BUTTON SOCKET CAP SCREW
13	1	TRH0449	5/16-24 x 1 3/4" BUTTON SOCKET CAP SCREW
14	1	TRH0456	5/16-18 x 1/2" FLAT SOCKET CAP SCREW

# TRC0496 - PUSH PLATE ASS'Y, LEFT, PIVOT PLUS



ITEM NO.	QTY.	PART NO.	DESCRIPTION
1	1	TRX0699	PUSH PIN BRACKET, LEFT
2	1	TRX0702	PIVOT BLOCK, CALF PAD
3	1	TRX0703	MOUNTING PLATE, CALF PAD
4	1	TRX0766	PUSH PIN
5	1	TRH0020	RUBBER BUMPER M6 X 15
6	3	TRH0102	1/4" NYLON WASHER
7	2	TRH0109	5/16" NYLON WASHER
8	3	TRH0202	1/4-20 SHALLOW NYLOC NUT
9	1	TRH0221	M6 HEX NUT
10	1	TRH0230	5/16-24 SHALLOW NYLOC NUT
11	1	TRH0352	1/4-20 x 2 1/4" SOCKET HEAD CAP SCREW GR8
12	2	TRH0445	1/4-20 x 3/8" BUTTON SOCKET CAP SCREW
13	1	TRH0449	5/16-24 x 1 3/4" BUTTON SOCKET CAP SCREW
14	1	TRH0456	5/16-18 x 1/2" FLAT SOCKET CAP SCREW

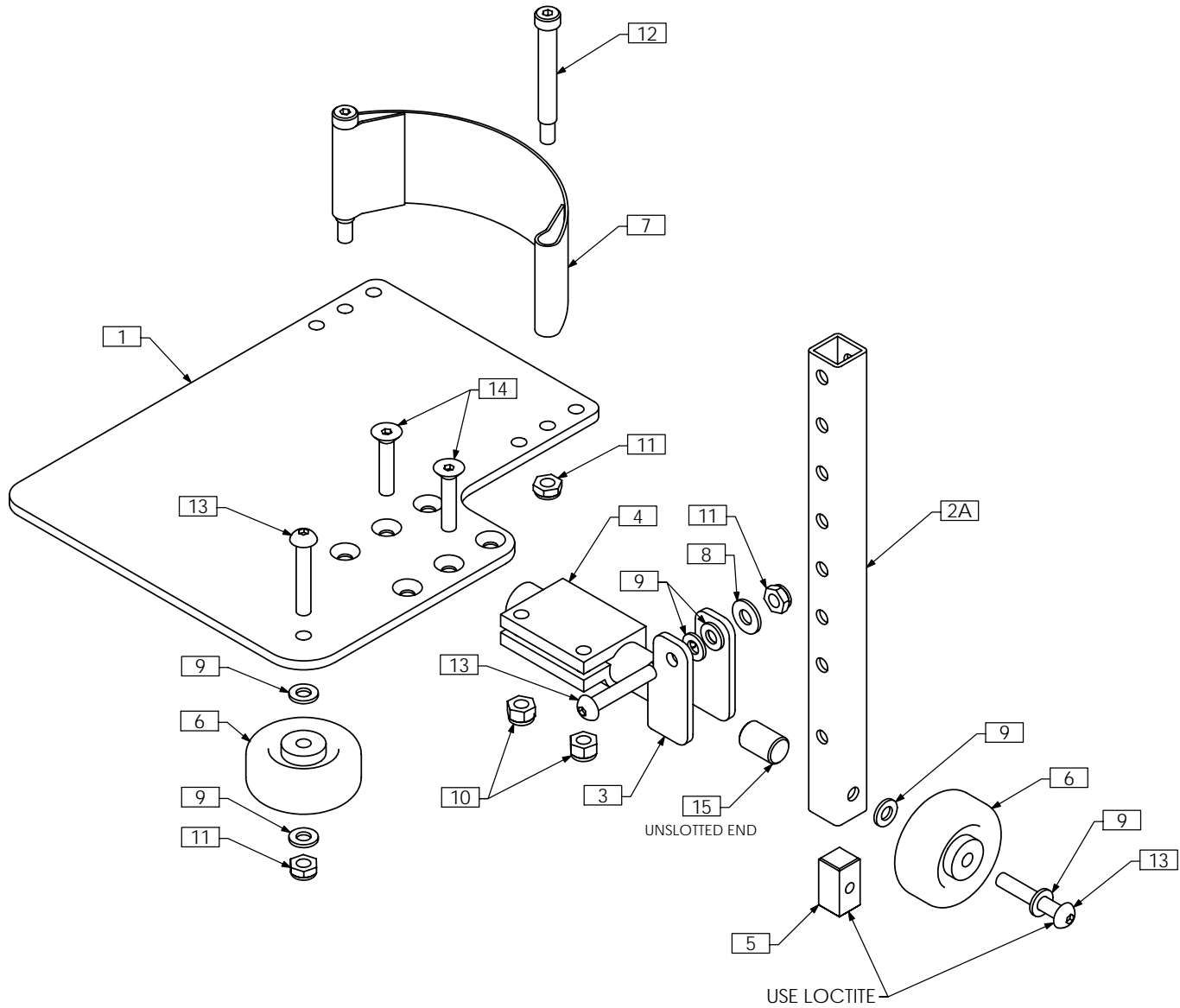
# TRC0467 - FOOTPLATE ASS'Y, RIGHT



NOTES:  
1. N/S = NOT SHOWN

ITEM NO.	QTY.	PART NO.	DESCRIPTION	ITEM NO.	QTY.	PART NO.	DESCRIPTION
1	1	TRC0473	FOOTPLATE SELECTION	8	1	TRH0101	¼" FLAT WASHER
2A	1	TRX0700-01	EXTENSION TUBE, SHORT	9	6	TRH0102	¼" NYLON WASHER
2B N/S	1	TRX0700-02	EXTENSION TUBE, LONG	10	2	TRH0201	¼-20 NYLOC NUT
2C N/S	1	TRX0700-03	EXTENSION TUBE, X-LONG	11	4	TRH0202	¼-20 SHALLOW NYLOC NUT
3	1	TRX0706	PIVOT BRACKET WLD	12	2	TRH0410	5/16 x 2" SOCKET HEAD SHOULDER BOLT
4	1	TRX0762	CLAMPING BLOCK	13	3	TRH0420	¼-20 x 1½" BUTTON SOCKET CAP SCREW
5	1	TRX2844	SQUARE END PLUG	14	2	TRH0432	¼-20 x 1¼" FLAT SOCKET CAP SCREW
6	2	TRM0236	CASTER WHEEL FOR FOOT PLATE	15	1	TRH0452	1/2 - 13 NYLON SET SCREW
7	1	TRM0241	HEEL STRAP				

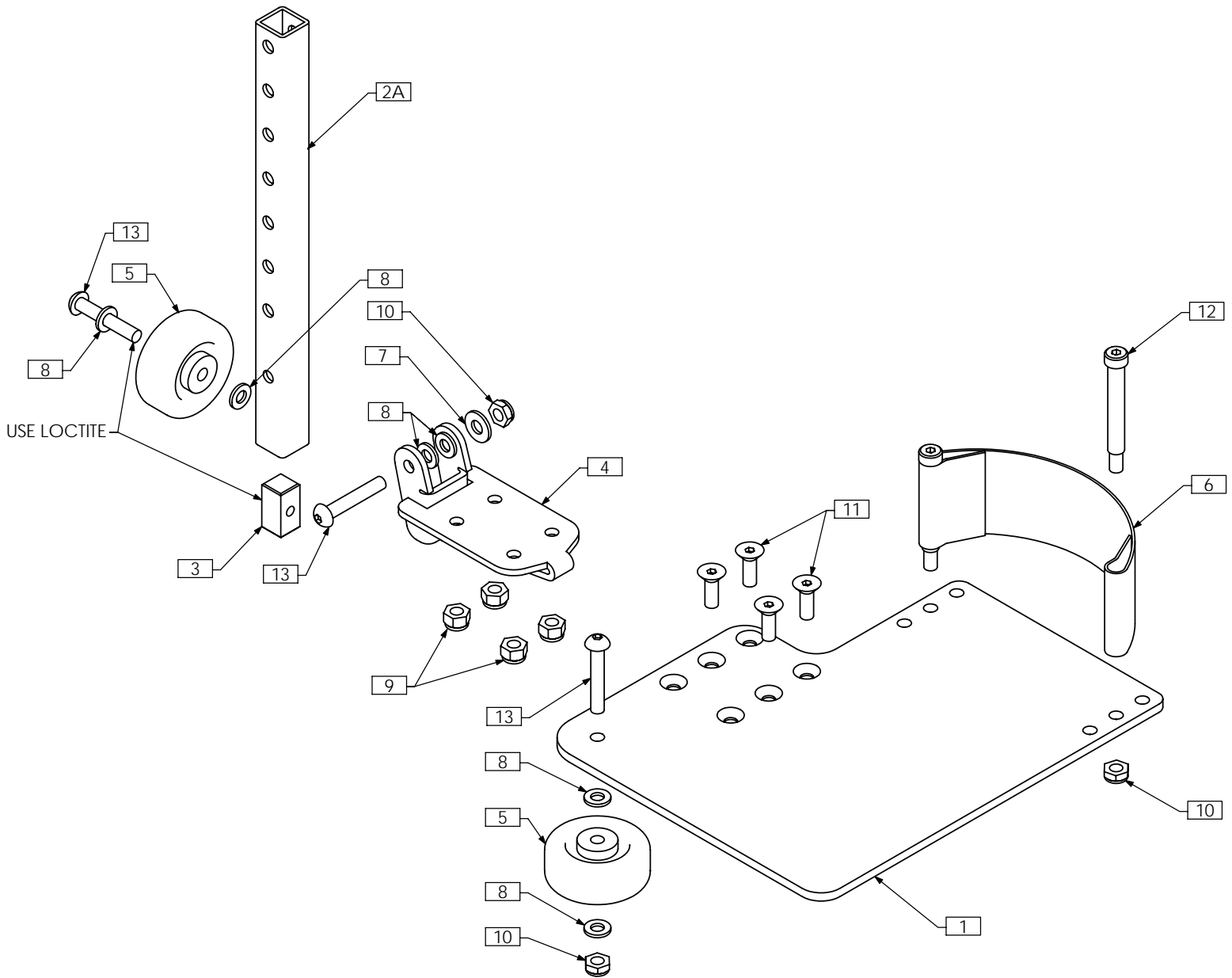
# TRC0468 - FOOTPLATE ASS'Y, LEFT



NOTES:  
1. N/S = NOT SHOWN

ITEM NO.	QTY.	PART NO.	DESCRIPTION	ITEM NO.	QTY.	PART NO.	DESCRIPTION
1	1	TRC0473	FOOTPLATE SELECTION	8	1	TRH0101	¼" FLAT WASHER
2A	1	TRX0700-01	EXTENSION TUBE, SHORT	9	6	TRH0102	¼" NYLON WASHER
2B N/S	1	TRX0700-02	EXTENSION TUBE, LONG	10	2	TRH0201	¼-20 NYLOC NUT
2C N/S	1	TRX0700-03	EXTENSION TUBE, X-LONG	11	4	TRH0202	¼-20 SHALLOW NYLOC NUT
3	1	TRX0706	PIVOT BRACKET WLD	12	2	TRH0410	5/16 x 2" SOCKET HEAD SHOULDER BOLT
4	1	TRX0762	CLAMPING BLOCK	13	3	TRH0420	¼-20 x 1½" BUTTON SOCKET CAP SCREW
5	1	TRX2844	SQUARE END PLUG	14	2	TRH0432	¼-20 x 1¼" FLAT SOCKET CAP SCREW
6	2	TRM0236	CASTER WHEEL FOR FOOT PLATE	15	1	TRH0452	1/2 - 13 NYLON SET SCREW
7	1	TRM0241	HEEL STRAP				

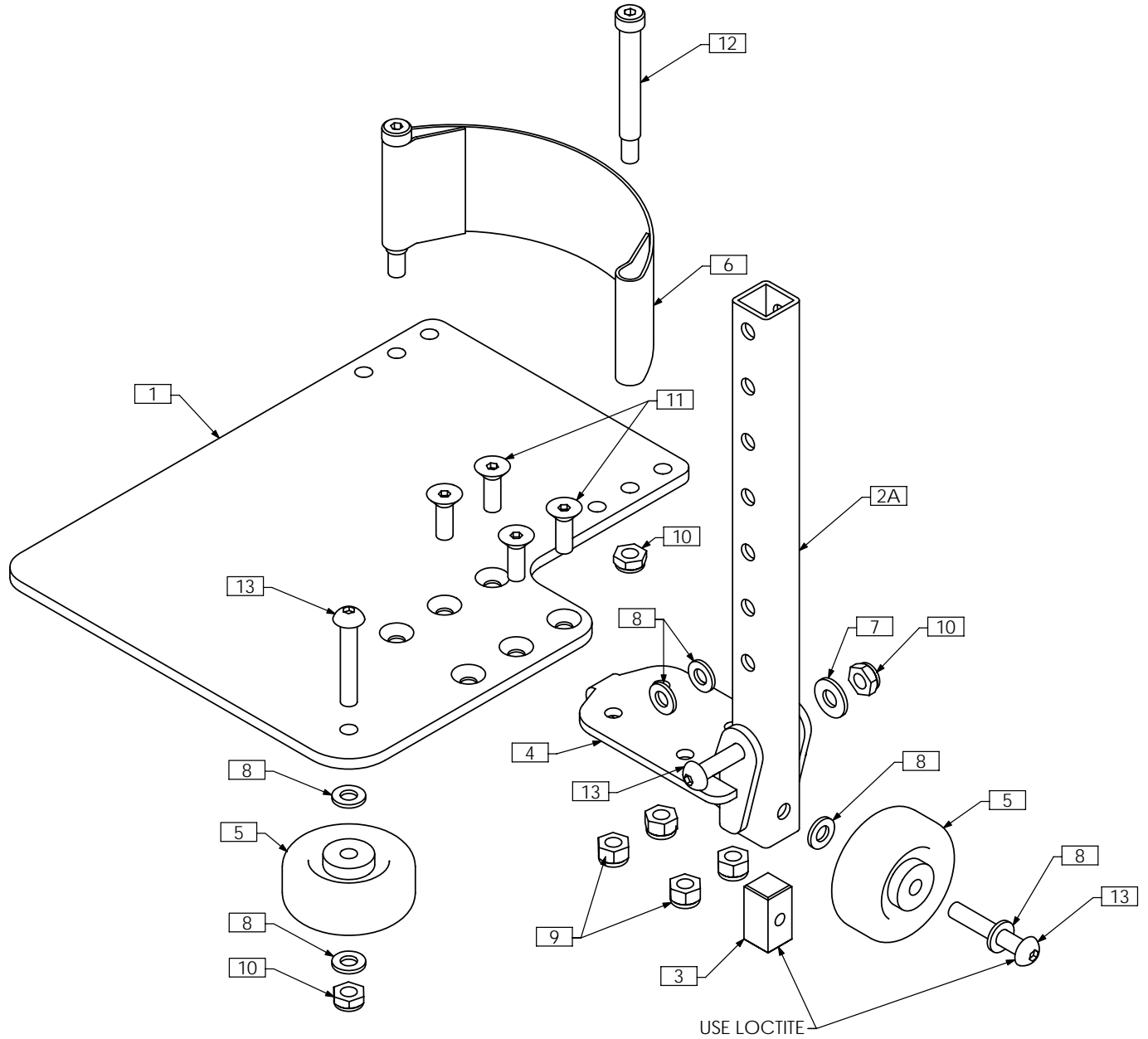
# TRC0549 - BASIC FOOTPLATE ASS'Y, RIGHT



NOTES:  
1. N/S = NOT SHOWN

ITEM NO.	QTY.	PART NO.	DESCRIPTION	ITEM NO.	QTY.	PART NO.	DESCRIPTION
1	1	TRC0473	FOOTPLATE SELECTION	7	1	TRH0101	¼" FLAT WASHER
2A	1	TRX0700-01	EXTENSION TUBE, SHORT	8	6	TRH0102	¼" NYLON WASHER
2B N/S	1	TRX0700-02	EXTENSION TUBE, LONG	9	4	TRH0201	¼-20 NYLOC NUT
2C N/S	1	TRX0700-03	EXTENSION TUBE, X-LONG	10	4	TRH0202	¼-20 SHALLOW NYLOC NUT
3	1	TRX2844	SQUARE END PLUG	11	4	TRH0409	¼-20 x ¾" FLAT SOCKET CAP SCREW
4	1	TRX3023	FOOTPLATE MNT WLD	12	2	TRH0410	5/16 x 2" SOCKET HEAD SHOULDER BOLT
5	2	TRM0236	CASTER WHEEL FOR FOOT PLATE	13	3	TRH0420	¼-20 x 1½" BUTTON SOCKET CAP SCREW
6	1	TRM0241	HEEL STRAP				

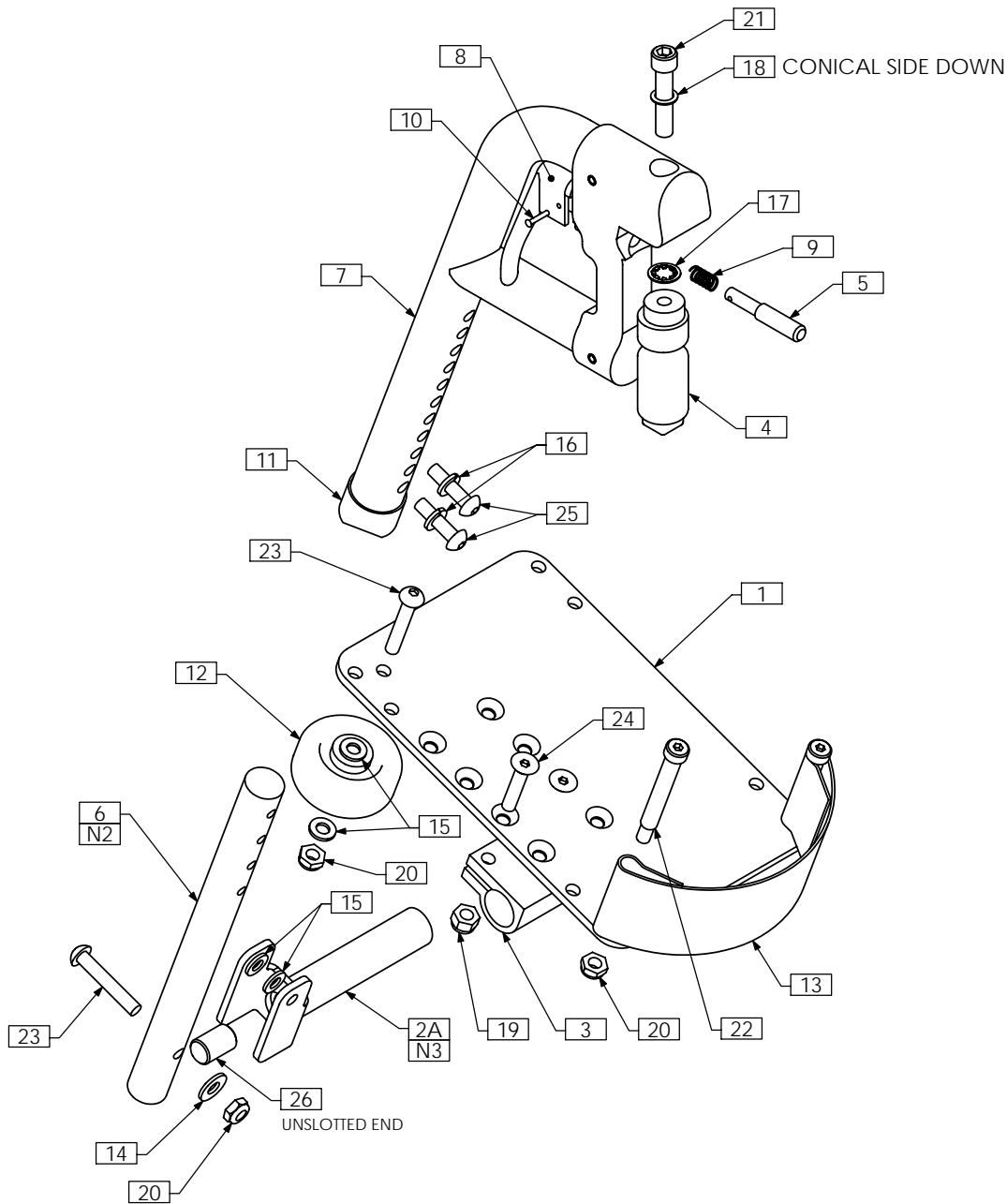
# TRC0550 - BASIC FOOTPLATE ASS'Y, LEFT



NOTES:  
1. N/S = NOT SHOWN

ITEM NO.	QTY.	PART NO.	DESCRIPTION	ITEM NO.	QTY.	PART NO.	DESCRIPTION
1	1	TRC0473	FOOTPLATE SELECTION	7	1	TRH0101	¼" FLAT WASHER
2A	1	TRX0700-01	EXTENSION TUBE, SHORT	8	6	TRH0102	¼" NYLON WASHER
2B N/S	1	TRX0700-02	EXTENSION TUBE, LONG	9	4	TRH0201	¼-20 NYLOC NUT
2C N/S	1	TRX0700-03	EXTENSION TUBE, X-LONG	10	4	TRH0202	¼-20 SHALLOW NYLOC NUT
3	1	TRX2844	SQUARE END PLUG	11	4	TRH0409	¼-20 x ¾" FLAT SOCKET CAP SCREW
4	1	TRX3023	FOOTPLATE MNT WLD	12	2	TRH0410	5/16 x 2" SOCKET HEAD SHOULDER BOLT
5	2	TRM0236	CASTER WHEEL FOR FOOT PLATE	13	3	TRH0420	¼-20 x 1½" BUTTON SOCKET CAP SCREW
6	1	TRM0241	HEEL STRAP				

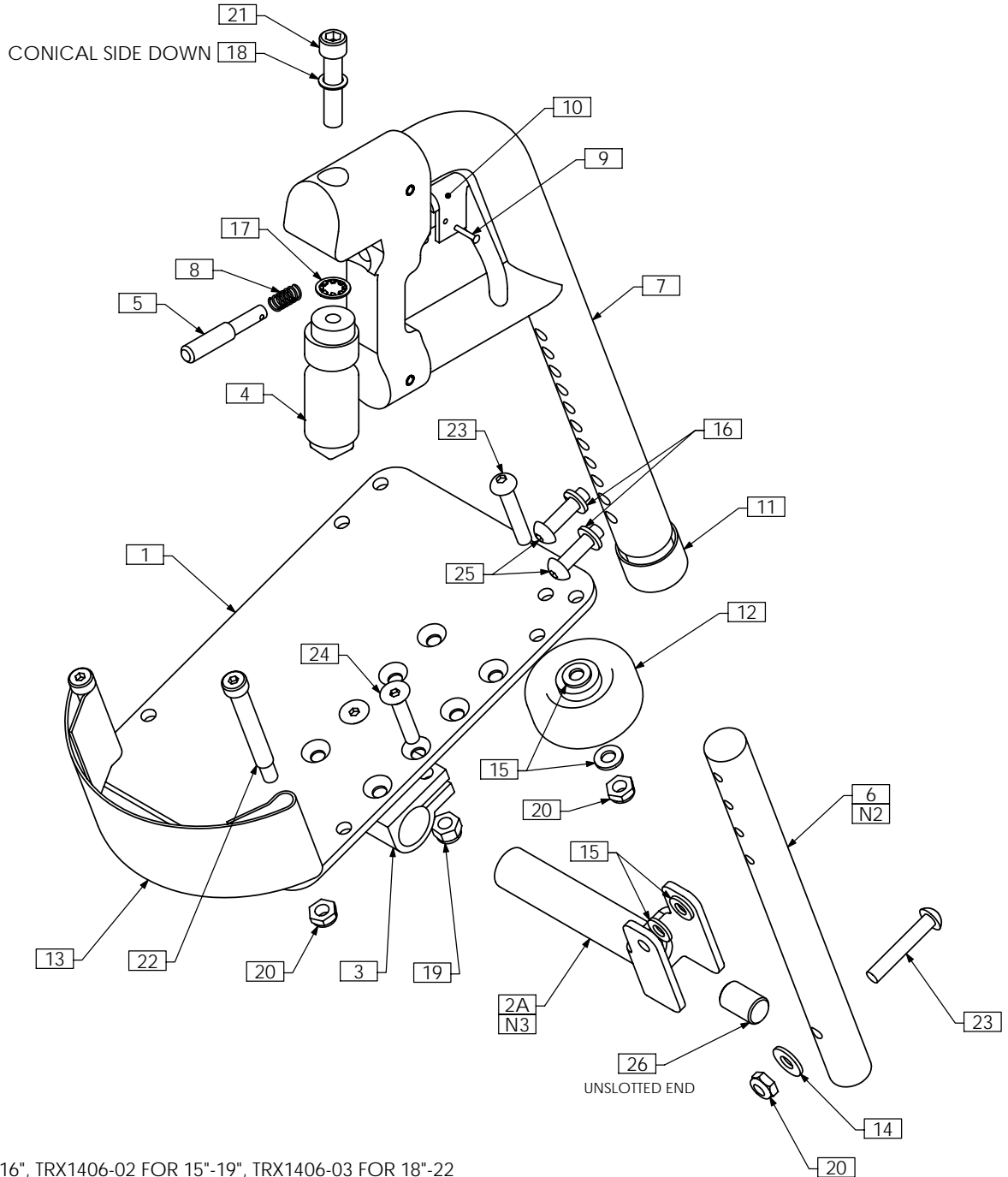
# TRC0323 - HEAVY DUTY SWING AWAY FOOTREST ASS'Y, LEFT



- NOTES:  
 1. N/S = NOT SHOWN  
 2. USE TRX1406-01 FOR 12"-16", TRX1406-02 FOR 15"-19", TRX1406-03 FOR 18"-22"  
 3. USE ITEM 2B FOR BARIATRIC APPLICATIONS

ITEM NO.	QTY.	PART NO.	DESCRIPTION	ITEM NO.	QTY.	PART NO.	DESCRIPTION
1	1	TRC0473	FOOTPLATE SELECTION	14	1	TRH0101	¼" FLAT WASHER
2A	1	TRX0706	PIVOT BRACKET WLD	15	4	TRH0102	¼" NYLON WASHER
2B N/S	1	TRX3040	PIVOT BRACKET WLD, BARIATRIC	16	2	TRH0115	¼" LOCK WASHER
3	1	TRX0762	CLAMPING BLOCK	17	1	TRH0141	5/16" INTERNAL TOOTH LOCK WASHER
4	1	TRX1400	MOUNTING PIN	18	1	TRH0142	5/16" ID x 1/2" OD CONTACT BELLEVILLE WASHER
5	1	TRX1404	PLUNGER	19	2	TRH0201	¼-20 NYLOC NUT
6	1	TRX1406	EXTENSION BAR	20	4	TRH0202	¼-20 SHALLOW NYLOC NUT
7	1	TRX1629	MAIN TUBE ASSY	21	1	TRH0332	5/16-18 x 1½" SOCKET HEAD CAP SCREW GR8
8	1	TRM0096	RIGHT ARM REST LEVER	22	2	TRH0410	5/16 x 2" SOCKET HEAD SHOULDER BOLT
9	1	TRM0097	SPRING	23	2	TRH0420	¼-20 x 1½" BUTTON SOCKET CAP SCREW
10	1	TRM0098	ARM REST PIN	24	2	TRH0432	¼-20 x 1¼" FLAT SOCKET CAP SCREW
11	1	TRM0138	1" THIN TUBE END BUSHING	25	2	TRH0450	¼-20 x 1" BUTTON SOCKET CAP SCREW
12	1	TRM0236	CASTER WHEEL FOR FOOT PLATE	26	1	TRH0452	1/2 - 13 NYLON SET SCREW
13	1	TRM0241	HEEL STRAP				

# TRC0324 - HEAVY DUTY SWING AWAY FOOTREST ASS'Y, RIGHT



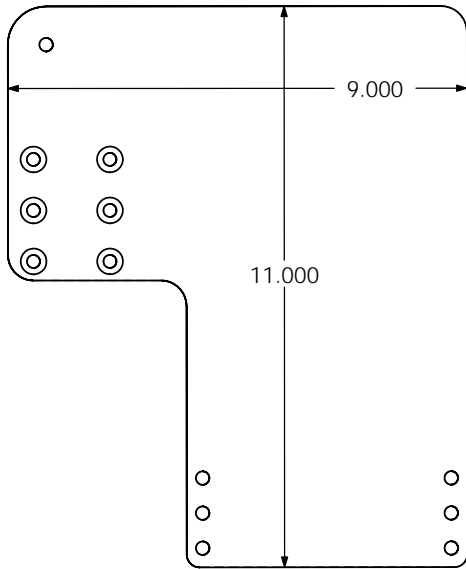
**NOTES:**

1. N/S = NOT SHOWN
2. USE TRX1406-01 FOR 12"-16", TRX1406-02 FOR 15"-19", TRX1406-03 FOR 18"-22
3. USE ITEM 2B FOR BARIATRIC APPLICATIONS

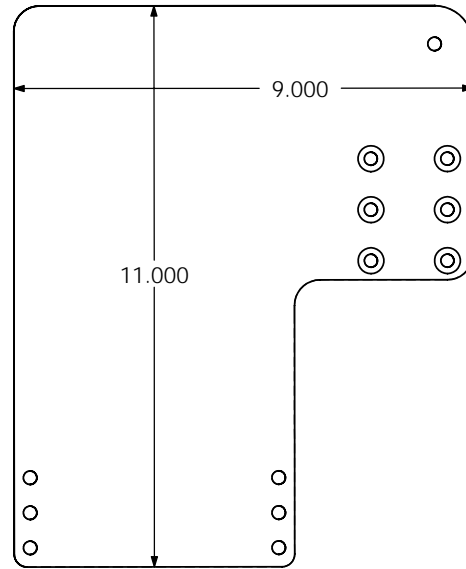
ITEM NO.	QTY.	PART NO.	DESCRIPTION	ITEM NO.	QTY.	PART NO.	DESCRIPTION
1	1	TRC0473	FOOTPLATE SELECTION	14	1	TRH0101	¼" FLAT WASHER
2A	1	TRX0706	PIVOT BRACKET WLD	15	4	TRH0102	¼" NYLON WASHER
2B N/S	1	TRX3040	PIVOT BRACKET WLD, BARIATRIC	16	2	TRH0115	¼" LOCK WASHER
3	1	TRX0762	CLAMPING BLOCK	17	1	TRH0141	5/16" INTERNAL TOOTH LOCK WASHER
4	1	TRX1400	MOUNTING PIN	18	1	TRH0142	5/16" ID x 1/2" OD CONTACT BELLEVILLE WASHER
5	1	TRX1404	PLUNGER	19	2	TRH0201	¼-20 NYLOC NUT
6	1	TRX1406	EXTENSION BAR	20	4	TRH0202	¼-20 SHALLOW NYLOC NUT
7	1	TRX1629	MAIN TUBE ASSY	21	1	TRH0332	5/16-18 x 1½" SOCKET HEAD CAP SCREW GR8
8	1	TRM0097	SPRING	22	2	TRH0410	5/16 x 2" SOCKET HEAD SHOULDER BOLT
9	1	TRM0098	ARM REST PIN	23	2	TRH0420	¼-20 x 1½" BUTTON SOCKET CAP SCREW
10	1	TRM0105	LEFT ARM REST LEVER	24	2	TRH0432	¼-20 x 1¼" FLAT SOCKET CAP SCREW
11	1	TRM0138	1" THIN TUBE END BUSHING	25	2	TRH0450	¼-20 x 1" BUTTON SOCKET CAP SCREW
12	1	TRM0236	CASTER WHEEL FOR FOOT PLATE	26	1	TRH0452	1/2 - 13 NYLON SET SCREW
13	1	TRM0241	HEEL STRAP				

# TRC0473 - FOOTPLATE SELECTION

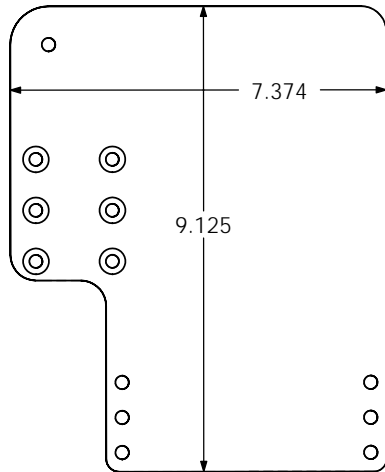
TRX2573 - FOOTPLATE, X-LARGE, LEFT



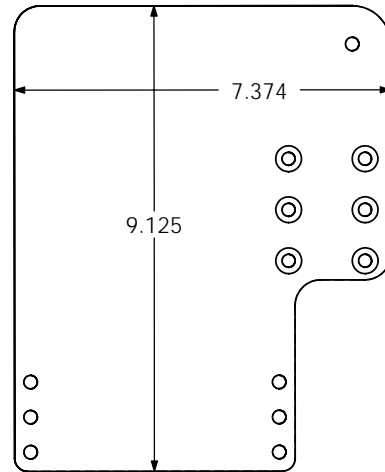
TRX2572 - FOOTPLATE, X-LARGE, RIGHT



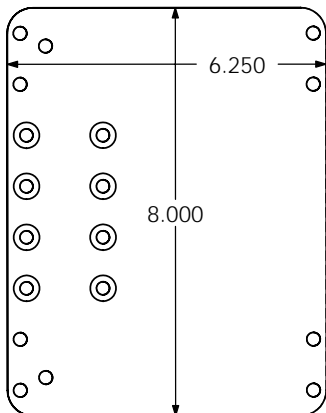
TRX0741 - FOOTPLATE, LEFT



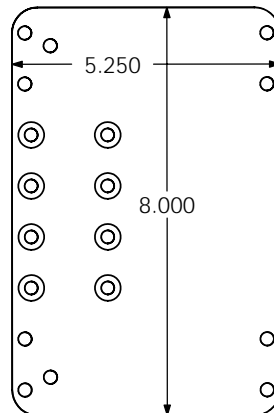
TRX0707 - FOOTPLATE, RIGHT



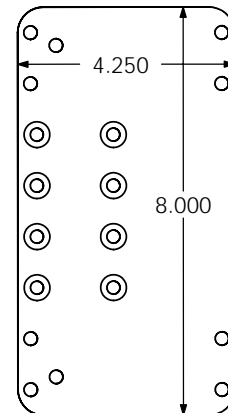
TRX1137 - FOOTPLATE, LARGE



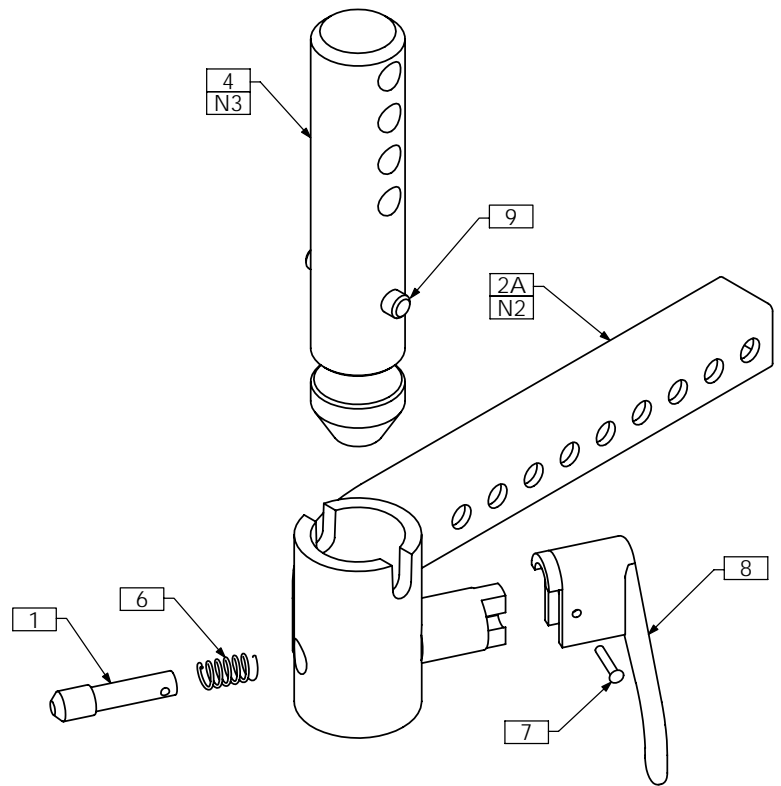
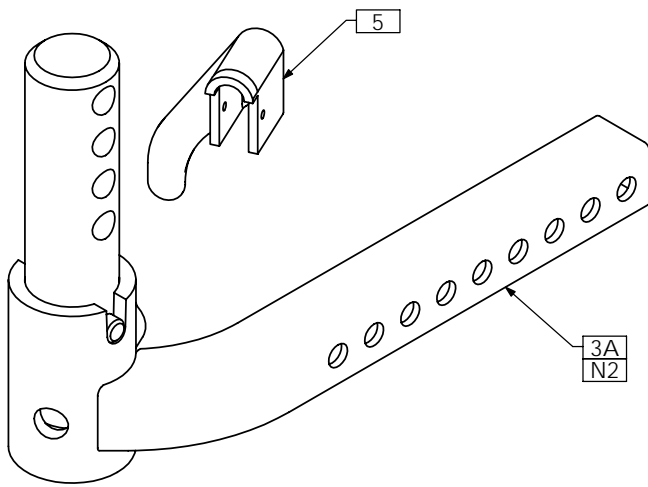
TRX1138 - FOOTPLATE, MEDIUM



TRX1136 - FOOTPLATE, SMALL



# TRC0508 - PIVOT PLUS LEGREST LOCKING RECEIVERS



## NOTES:

1. N/S = NOT SHOWN

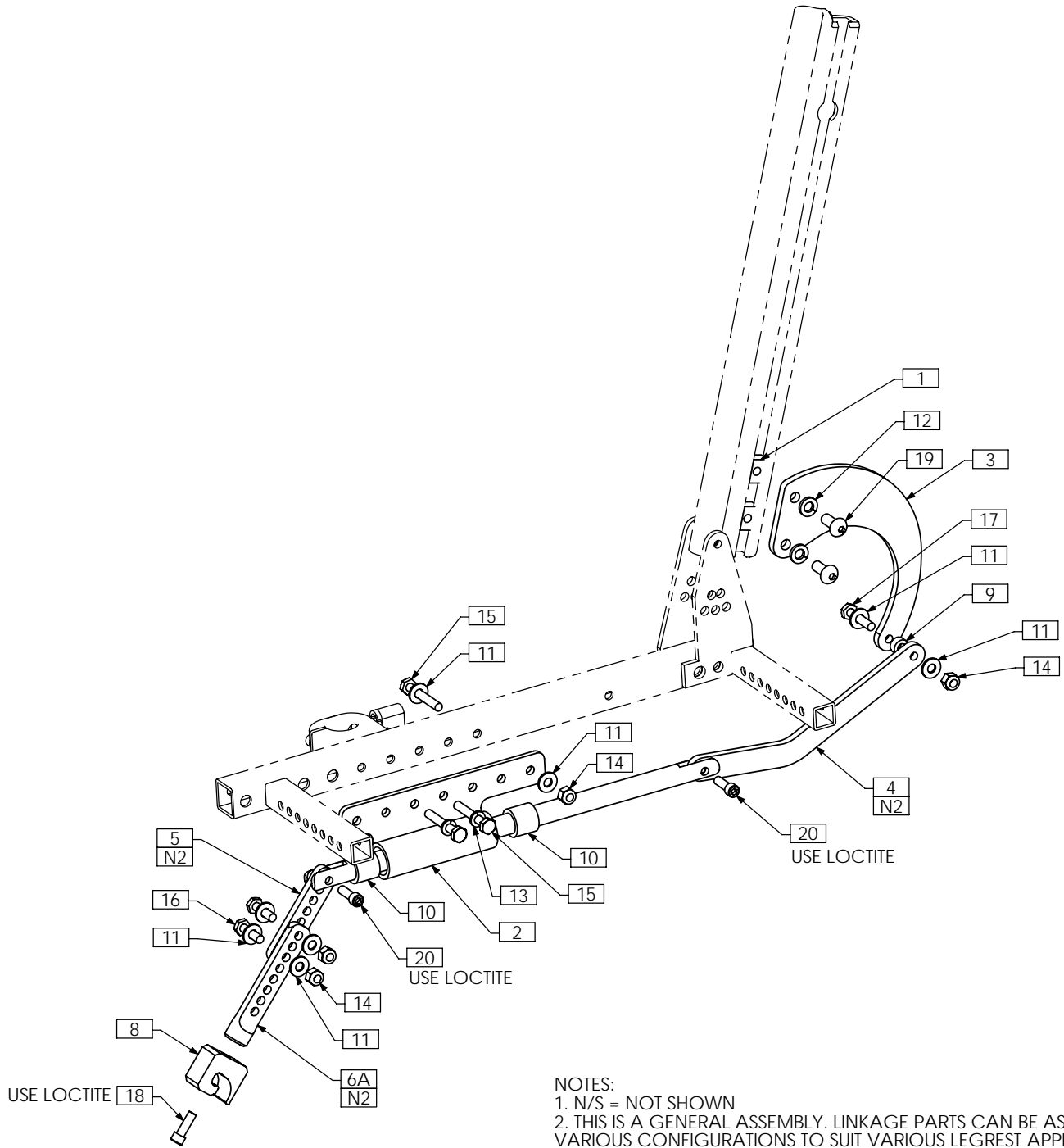
2. ITEM 2A AND ITEM 3A USED FOR SEAT DEPTHS OF 19" OR LESS.

ITEM 2B AND ITEM 3B USED FOR SEAT DEPTHS OF 20" OR MORE

3. TRX2865 REPLACES TRX0697 IN DOWNTUBE ASSEMBLIES - TRC0469, TRC0470, TRC0471, TRC0472

ITEM NO.	QTY.	PART NO.	DESCRIPTION
1	2	TRX0320	PLUNGER
2A	1	TRX2893	LEFT LOCKING HANGER WLD
2B N/S	1	TRX2863	LEFT EXTENDED LOCKING HANGER WLD
3A	1	TRX2894	RIGHT LOCKING HANGER WLD
3B N/S	1	TRX2864	RIGHT EXTENDED LOCKING HANGER WLD
4	2	TRX2865	LOCKING PIN
5	1	TRM0096	RIGHT ARM REST LEVER
6	2	TRM0097	SPRING
7	2	TRM0098	ARM REST PIN
8	1	TRM0105	LEFT ARM REST LEVER
9	2	TRH0022	DOWEL PIN, STAINLESS STEEL

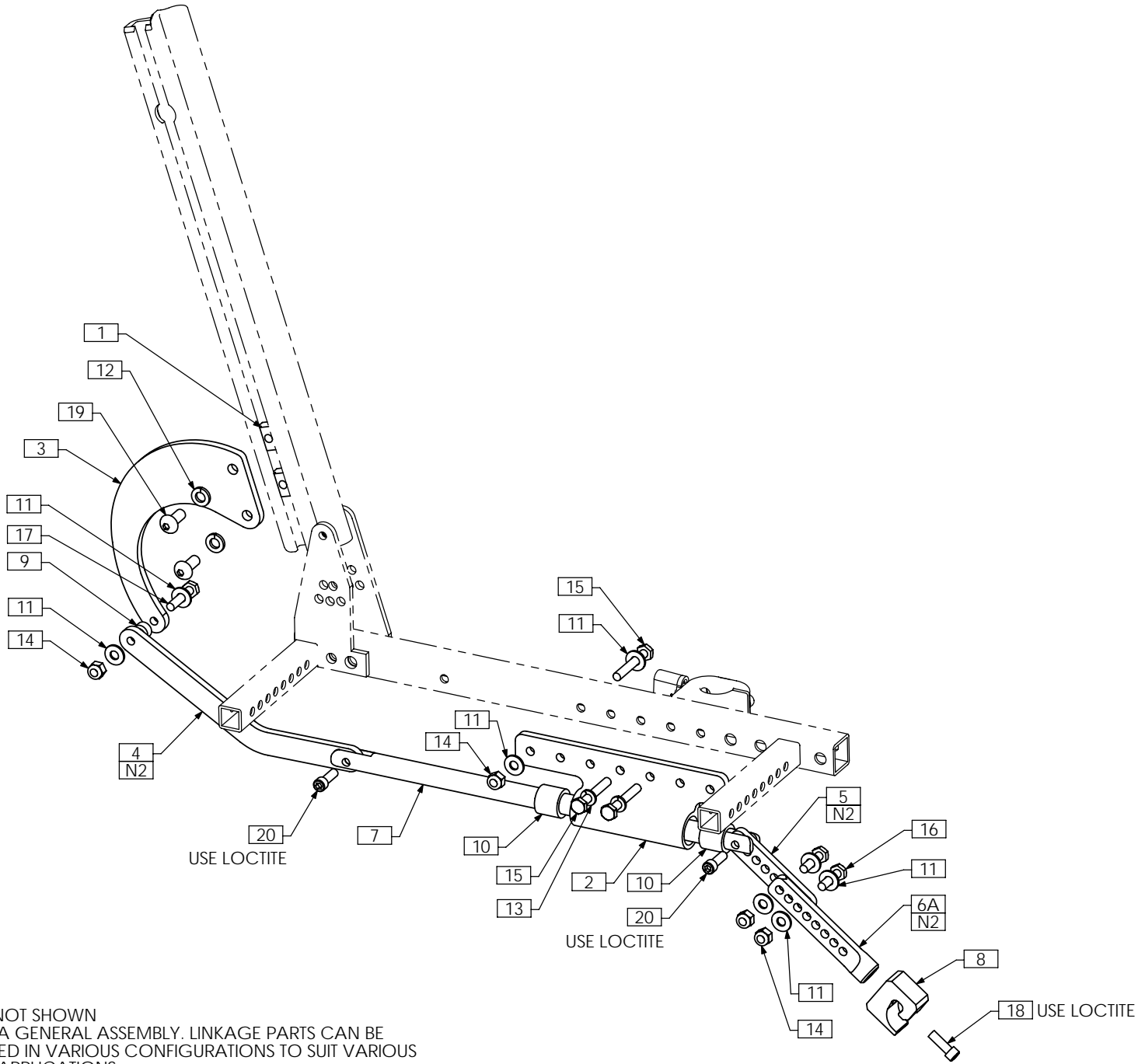
# TRC0252 - RECLINE PUSH ROD LEG ASS'Y, RIGHT, INSIDE



- NOTES:  
 1. N/S = NOT SHOWN  
 2. THIS IS A GENERAL ASSEMBLY. LINKAGE PARTS CAN BE ASSEMBLED IN VARIOUS CONFIGURATIONS TO SUIT VARIOUS LEGREST APPLICATIONS

ITEM NO.	QTY.	PART NO.	DESCRIPTION	ITEM NO.	QTY.	PART NO.	DESCRIPTION
1	2	TRX0571	T-NUT, 5/16-18	11	8	TRH0101	¼" FLAT WASHER
2	1	TRX0899	SLIDER HOUSING WLD, RIGHT SIDE	12	2	TRH0108	5/16" LOCK WASHER
3	1	TRX0976	BACKREST CRANK	13	2	TRH0115	¼" LOCK WASHER
4	1	TRX0977	LINK BAR	14	4	TRH0201	¼-20 NYLOC NUT
5	1	TRX0978	EXTENSION PLATE	15	3	TRH0302	¼-20 x 1¾" HEX HEAD CAP SCREW
6A	1	TRX0979	LEGREST CLIP EXTENSION	16	2	TRH0303	¼-20 x 1" HEX HEAD CAP SCREW
6B N/S	1	TRX1157	LEGREST CLIP	17	1	TRH0353	¼-20 x 1¼" HEX HEAD CAP SCREW
7	1	TRX1002	PUSH ROD	18	1	TRH0401	¼-20 x ¾" SOCKET HEAD CAP SCREW GR8
8	1	TRX2846	POWER ELEV LEGREST RECEPTACLE	19	2	TRH0421	5/16-18 x ¾" BUTTON SOCKET CAP SCREW
9	1	TTM0090	¼"ID X ½"OD X ¼"THK NYLON SPACER	20	2	TRH0466	¼-28 x ¾" SOCKET HEAD CAP SCREW GR8
10	2	TRH0031	5/8"ID x 7/8"OD x 3/4" BRONZE BUSHING				

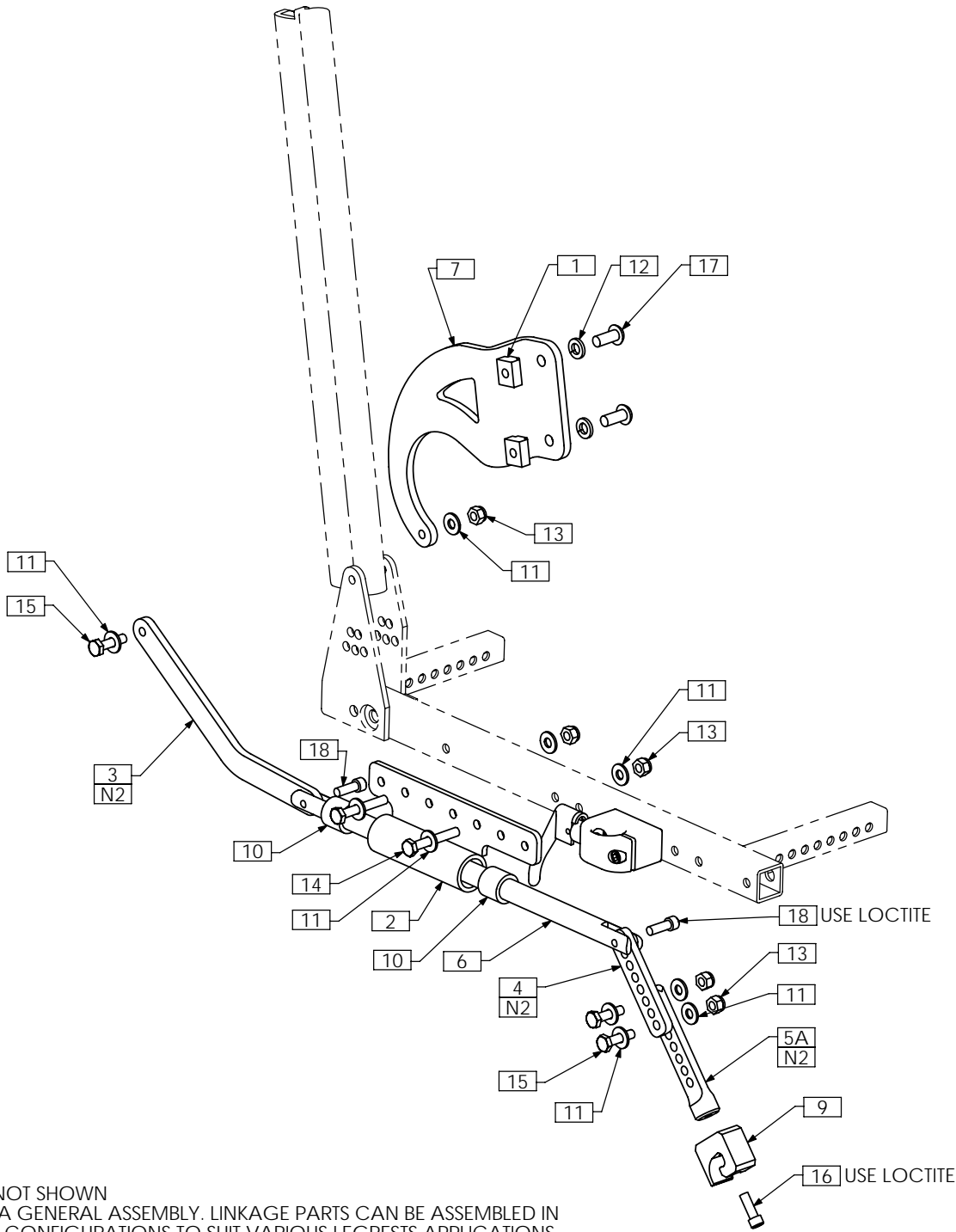
# TRC0251 - RECLINE PUSH ROD LEG ASS'Y, LEFT, INSIDE



NOTES:  
 1. N/S = NOT SHOWN  
 2. THIS IS A GENERAL ASSEMBLY. LINKAGE PARTS CAN BE ASSEMBLED IN VARIOUS CONFIGURATIONS TO SUIT VARIOUS LEGREST APPLICATIONS

ITEM NO.	QTY.	PART NO.	DESCRIPTION	ITEM NO.	QTY.	PART NO.	DESCRIPTION
1	2	TRX0571	T-NUT, 5/16-18	11	8	TRH0101	¼" FLAT WASHER
2	1	TRX0898	SLIDER HOUSING WLD, LEFT SIDE	12	2	TRH0108	5/16" LOCK WASHER
3	1	TRX0976	BACKREST CRANK	13	2	TRH0115	¼" LOCK WASHER
4	1	TRX0977	LINK BAR	14	4	TRH0201	¼-20 NYLOC NUT
5	1	TRX0978	EXTENSION PLATE	15	3	TRH0302	¼-20 x 1¾" HEX HEAD CAP SCREW
6A	1	TRX0979	LEGREST CLIP EXTENSION	16	2	TRH0303	¼-20 x 1" HEX HEAD CAP SCREW
6B N/S	1	TRX1157	LEGREST CLIP	17	1	TRH0353	¼-20 x 1¼" HEX HEAD CAP SCREW
7	1	TRX1002	PUSH ROD	18	1	TRH0401	¼-20 x ¾" SOCKET HEAD CAP SCREW GR8
8	1	TRX2846	POWER ELEV LEGREST RECEPTACLE	19	2	TRH0421	5/16-18 x ¾" BUTTON SOCKET CAP SCREW
9	1	TTM0090	¼"ID X ½"OD X ¼"THK NYLON SPACER	20	2	TRH0466	¼-28 x ¾" SOCKET HEAD CAP SCREW GR8
10	2	TRH0031	5/8"ID x 7/8"OD x 3/4" BRONZE BUSHING				

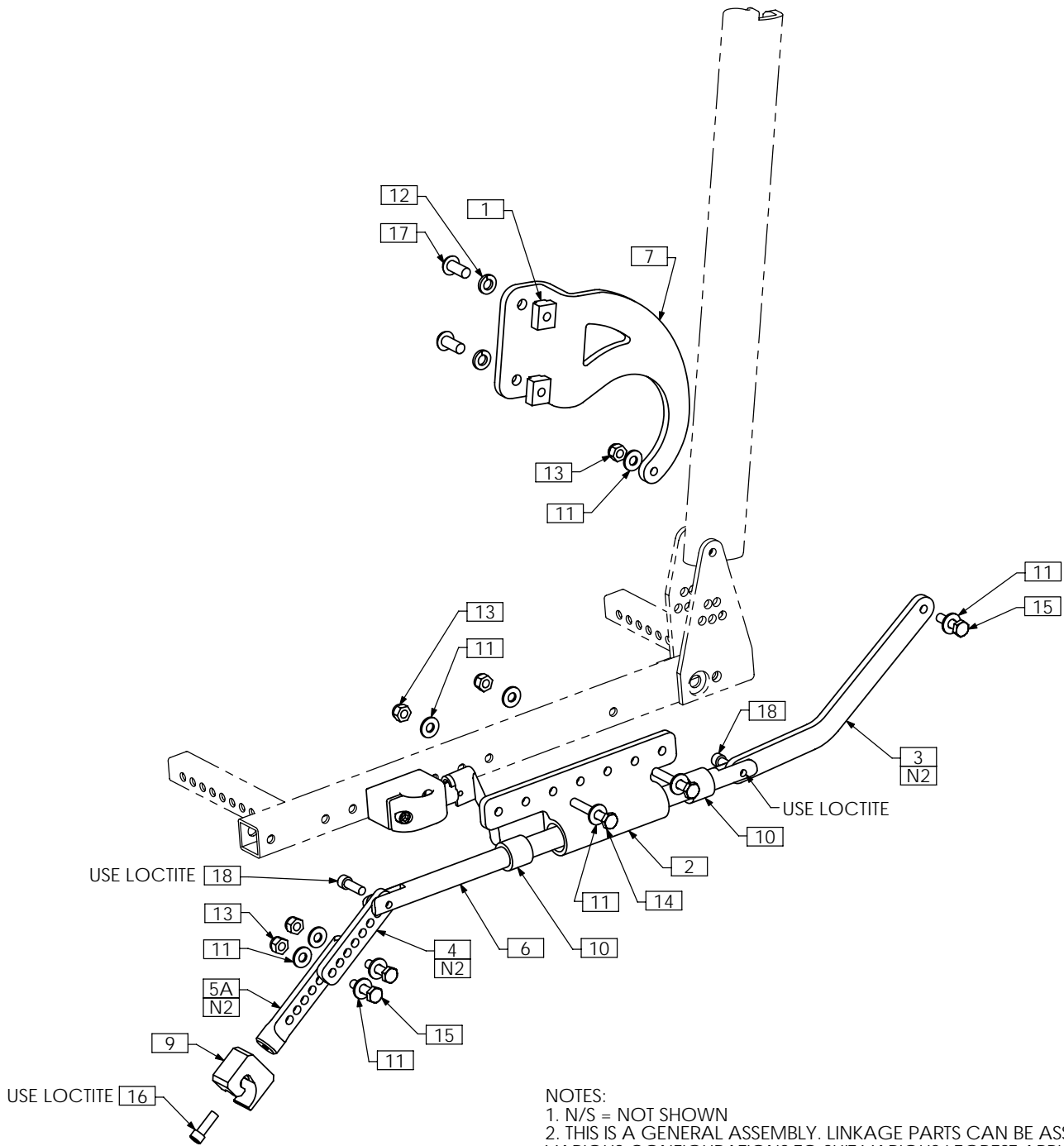
# TRC0498 - RECLINE PUSH ROD LEG ASS'Y, RIGHT, OUTSIDE



NOTES:  
 1. N/S = NOT SHOWN  
 2. THIS IS A GENERAL ASSEMBLY. LINKAGE PARTS CAN BE ASSEMBLED IN VARIOUS CONFIGURATIONS TO SUIT VARIOUS LEGRESTS APPLICATIONS

ITEM NO.	QTY.	PART NO.	DESCRIPTION	ITEM NO.	QTY.	PART NO.	DESCRIPTION
1	2	TRX0571	T-NUT, 5/16-18	10	2	TRH0031	5/8"ID x 7/8"OD x 3/4" BRONZE BUSHING
2	1	TRX0899	SLIDER HOUSING WLD, RIGHT SIDE	11	10	TRH0101	1/4" FLAT WASHER
3	1	TRX0977	LINK BAR	12	2	TRH0108	5/16" LOCK WASHER
4	1	TRX0978	EXTENSION PLATE	13	5	TRH0201	1/4-20 NYLOC NUT
5A	1	TRX0979	LEGREST CLIP EXTENSION	14	2	TRH0302	1/4-20 x 1 3/4" HEX HEAD CAP SCREW
5B N/S	1	TRX1157	LEGREST CLIP	15	3	TRH0303	1/4-20 x 1" HEX HEAD CAP SCREW
6	1	TRX1002	PUSH ROD	16	1	TRH0401	1/4-20 x 3/4" SOCKET HEAD CAP SCREW GR8
7	1	TRX1556	PUSHROD LEG CRANK, RIGHT	17	2	TRH0421	5/16-18 x 3/4" BUTTON SOCKET CAP SCREW
8 N/S	1	TRX1998	PUSHROD GUARD, RIGHT	18	2	TRH0466	1/4-28 x 3/4" SOCKET HEAD CAP SCREW GR8
9	1	TRX2846	POWER ELEV LEGREST RECEPTACLE				

# TRC0497 - RECLINE PUSH ROD LEG ASS'Y, LEFT, OUTSIDE



NOTES:  
 1. N/S = NOT SHOWN  
 2. THIS IS A GENERAL ASSEMBLY. LINKAGE PARTS CAN BE ASSEMBLED IN VARIOUS CONFIGURATIONS TO SUIT VARIOUS LEGREST APPLICATIONS

ITEM NO.	QTY.	PART NO.	DESCRIPTION	ITEM NO.	QTY.	PART NO.	DESCRIPTION
1	2	TRX0571	T-NUT, 5/16-18	10	2	TRH0031	5/8"ID x 7/8"OD x 3/4" BRONZE BUSHING
2	1	TRX0898	SLIDER HOUSING WLD, LEFT SIDE	11	10	TRH0101	1/4" FLAT WASHER
3	1	TRX0977	LINK BAR	12	2	TRH0108	5/16" LOCK WASHER
4	1	TRX0978	EXTENSION PLATE	13	5	TRH0201	1/4-20 NYLOC NUT
5A	1	TRX0979	LEGREST CLIP EXTENSION	14	2	TRH0302	1/4-20 x 1 1/4" HEX HEAD CAP SCREW
5B N/S	1	TRX1157	LEGREST CLIP	15	3	TRH0303	1/4-20 x 1" HEX HEAD CAP SCREW
6	1	TRX1002	PUSH ROD	16	1	TRH0401	1/4-20 x 3/4" SOCKET HEAD CAP SCREW GR8
7	1	TRX1557	PUSHROD LEG CRANK, LEFT	17	2	TRH0421	5/16-18 x 3/4" BUTTON SOCKET CAP SCREW
8 N/S	1	TRX1997	PUSHROD GUARD, LEFT	18	2	TRH0466	1/4-28 x 3/4" SOCKET HEAD CAP SCREW GR8
9	1	TRX2846	POWER ELEV LEGREST RECEPTACLE				