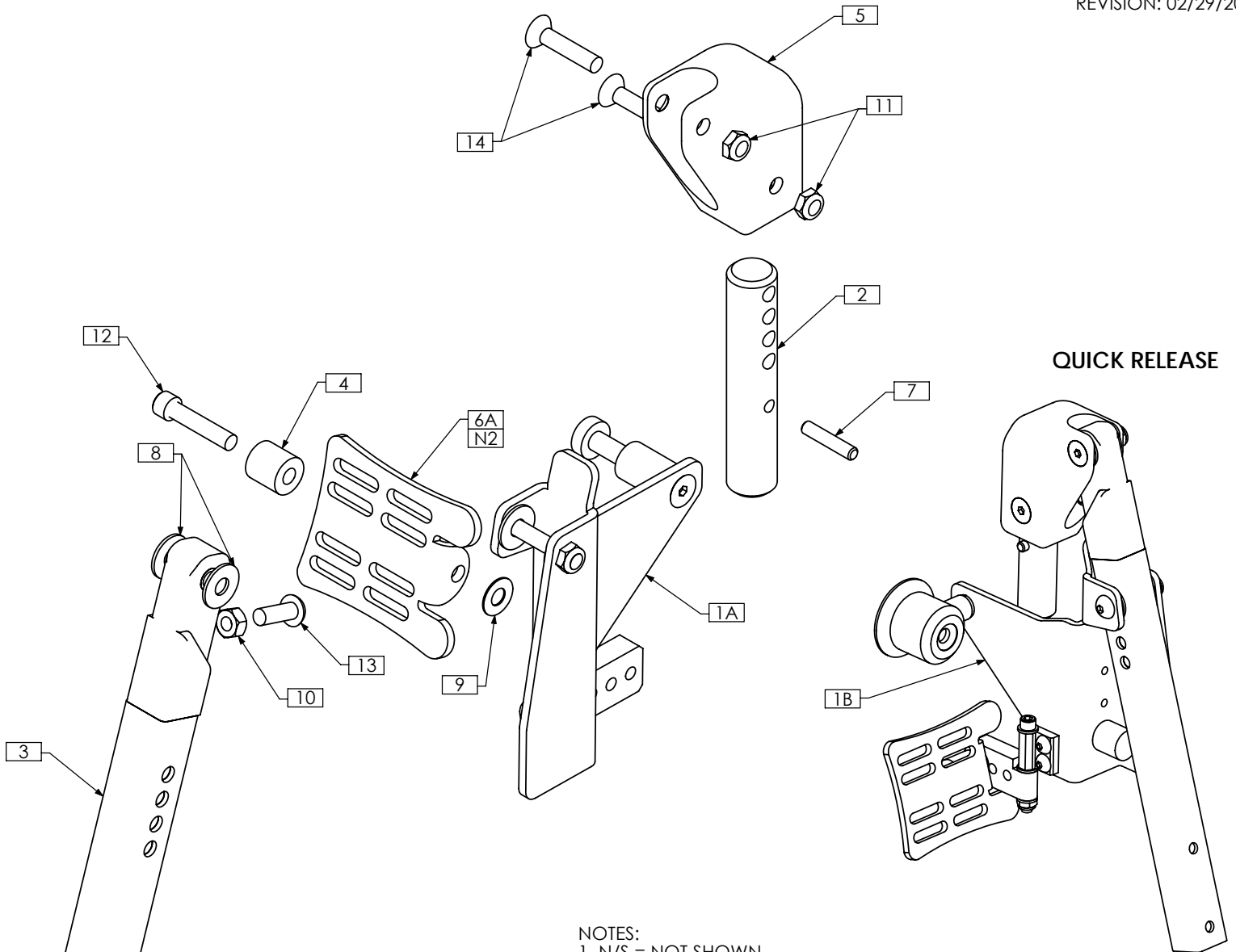


# TRC0472 - PIVOT PLUS DOWNTUBE ASS'Y, LEFT

REVISION: 02/29/2008



**NOTES:**

1. N/S = NOT SHOWN
2. USE ITEM 6B FOR BARIATRIC APPLICATIONS

ITEM NO.	QTY.	PART NO.	DESCRIPTION
1A	1	TRC0496	PUSH PLATE ASS'Y, LEFT
1B	1	TRC0888	PUSH PLATE ASS'Y, LEFT
2	1	TRX0697	PIN
3	1	TRX1155	DOWN TUBE ASS'Y
4	1	TRX1256-075	SPACER, 5/16 X 3/4
5	1	TRX1395	PIVOT BLOCK, LEFT
6A	1	TRX3198	CALF PAD MOUNTING BRKT
6B N/S	1	TRX4659	CALF PAD MOUNTING BRKT, BARIATRIC
7	1	TRH0022	DOWEL PIN, STAINLESS STEEL
8	2	TRH0109	5/16" NYLON WASHER
9	1	TRH0132	0.35"ID x 3/4"OD x 0.032" NYLON WASHER
10	1	TRH0212	5/16-18 HEX NUT
11	2	TRH0230	5/16-24 SHALLOW NYLOC NUT
12	1	TRH0332	5/16-18 x 1 1/2" SOCKET HEAD CAP SCREW GR8
13	1	TRH0430	5/16-18 x 7/8" BUTTON SOCKET CAP SCREW
14	2	TRH0495	5/16-24 x 1 1/2" FLAT SOCKET CAP SCREW