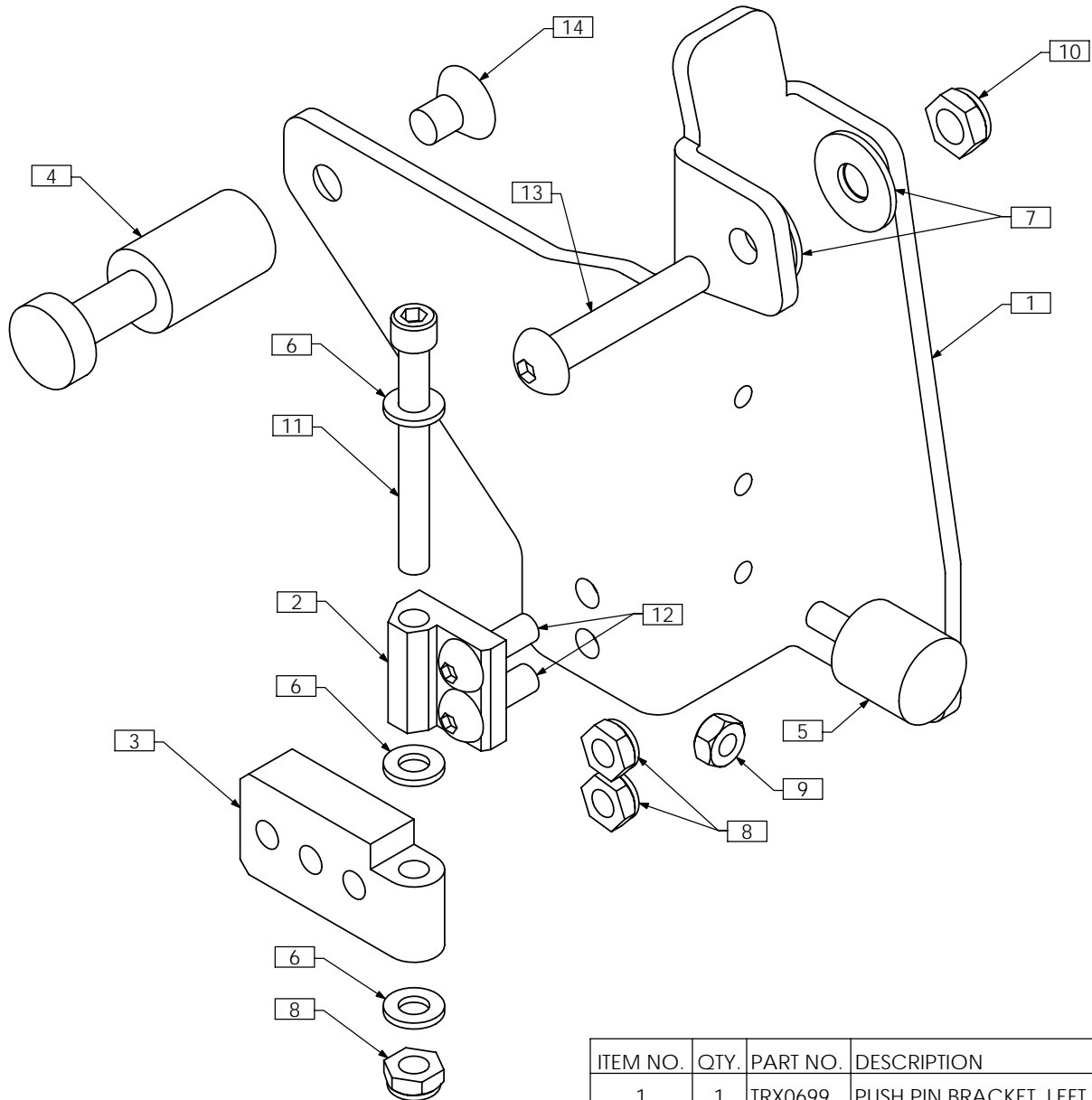


# TRC0496 - PUSH PLATE ASS'Y, LEFT, PIVOT PLUS



ITEM NO.	QTY.	PART NO.	DESCRIPTION
1	1	TRX0699	PUSH PIN BRACKET, LEFT
2	1	TRX0702	PIVOT BLOCK, CALF PAD
3	1	TRX0703	MOUNTING PLATE, CALF PAD
4	1	TRX0766	PUSH PIN
5	1	TRH0020	RUBBER BUMPER M6 X 15
6	3	TRH0102	1/4" NYLON WASHER
7	2	TRH0109	5/16" NYLON WASHER
8	3	TRH0202	1/4-20 SHALLOW NYLOC NUT
9	1	TRH0221	M6 HEX NUT
10	1	TRH0230	5/16-24 SHALLOW NYLOC NUT
11	1	TRH0352	1/4-20 x 2 1/4" SOCKET HEAD CAP SCREW GR8
12	2	TRH0445	1/4-20 x 3/4" BUTTON SOCKET CAP SCREW
13	1	TRH0449	5/16-24 x 1 3/4" BUTTON SOCKET CAP SCREW
14	1	TRH0456	5/16-18 x 1/2" FLAT SOCKET CAP SCREW