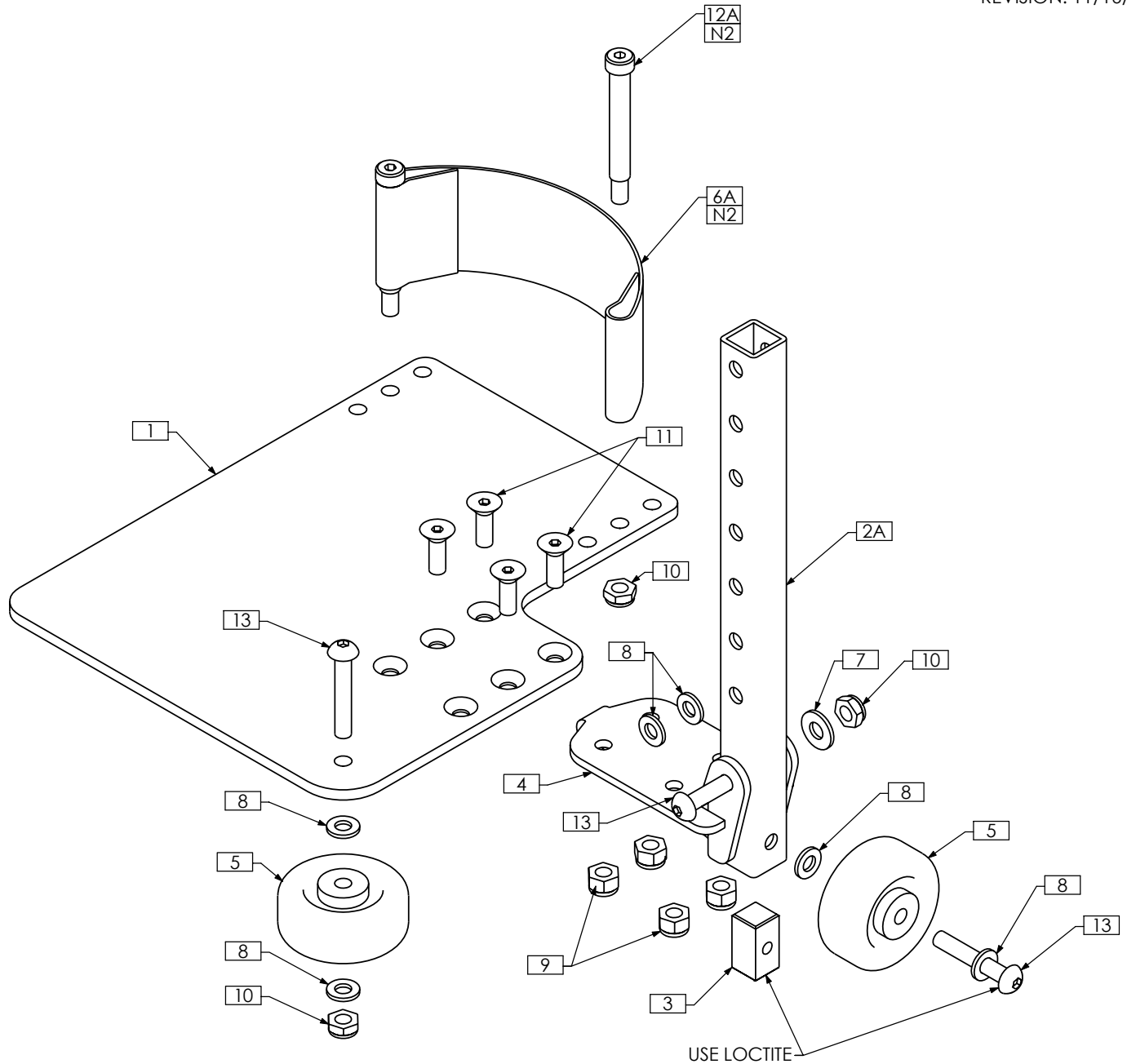


TRC0550 - BASIC FOOTPLATE ASS'Y, LEFT

REVISION: 11/16/2007



NOTES:

- 1. N/S = NOT SHOWN
- 2. USE ITEM 12B WITH LOW PROFILE STRAP ITEM 6B

ITEM NO.	QTY.	PART NO.	DESCRIPTION	ITEM NO.	QTY.	PART NO.	DESCRIPTION
1	1	TRC0473	FOOTPLATE SELECTION	7	1	TRH0101	1/4" FLAT WASHER
2A	1	TRX0700-01	EXTENSION TUBE, SHORT	8	6	TRH0102	1/4" NYLON WASHER
2B N/S	1	TRX0700-02	EXTENSION TUBE, LONG	9	4	TRH0201	1/4-20 NYLOC NUT
2C N/S	1	TRX0700-03	EXTENSION TUBE, X-LONG	10	4	TRH0202	1/4-20 SHALLOW NYLOC NUT
3	1	TRX2844	SQUARE END PLUG	11	4	TRH0409	1/4-20 x 3/4" FLAT SOCKET CAP SCREW
4	1	TRX3023	FOOTPLATE MNT WLD	12A	2	TRH0410	5/16 x 2" SOCKET HEAD SHOULDER BOLT
5	2	TRM0236	CASTER WHEEL FOR FOOT PLATE	12B N/S	2	TRH0632	5/16 x 1" SOCKET HEAD SHOULDER BOLT
6A	1	TRM0241	HEEL STRAP	13	3	TRH0420	1/4-20 x 1 1/2" BUTTON SOCKET CAP SCREW
6B N/S	1	TRM0691	HEEL STRAP, LOW PROFILE				