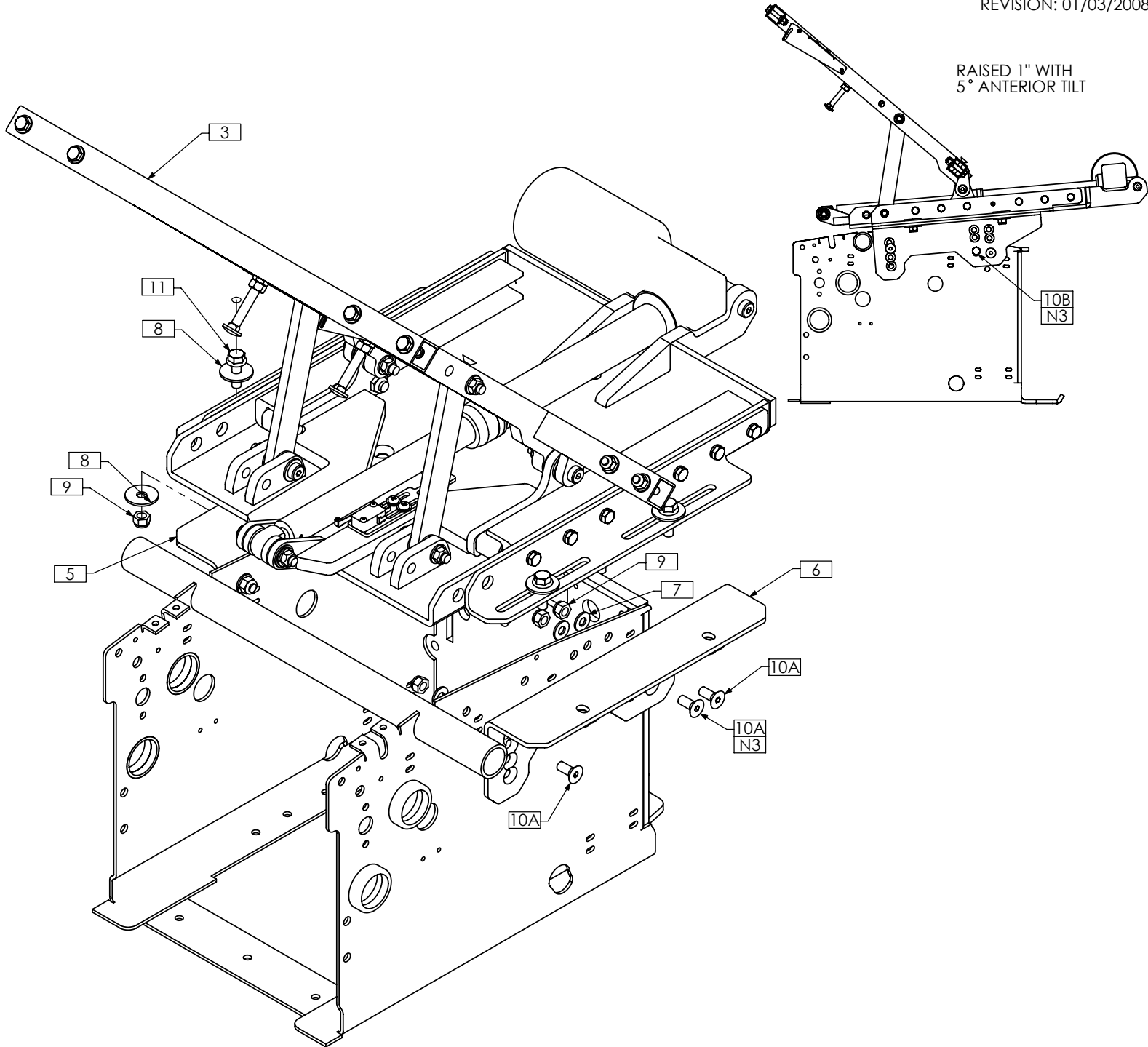


TRI136 - INSTALLATION OVERVIEW, TDX, ULTRA LOW CGT, BARIATRIC

REVISION: 01/03/2008



- NOTES:
 1. N/S = NOT SHOWN
 2. UPPER PORTION OF SEAT NOT SHOWN
 3. USE ITEM 10B FOR RAISED APPLICATIONS

ITEM NO.	QTY.	PART NO.	DESCRIPTION	ITEM NO.	QTY.	PART NO.	DESCRIPTION
1A N/S	1	TRC0635	TILT ARM REST SELECTION	6	1	TRX3424	TILTING PLATE, LEFT
1B N/S	1	TRC0659	RECLINE ARM REST SELECTION	7	6	TRH0107	5/16" FLAT WASHER
2 N/S	1	TRC0815	HEADREST SELECTION	8	8	TRH0125	5/16" FENDER WASHER
3	1	TRC0606	MAIN ASS'Y	9	10	TRH0206	5/16-18 NYLOC NUT
4A N/S	1	TRC0575	ARMREST CONTROL MOUNTING ASS'Y, PUSH BUTTON	10A	6	TRH0448	5/16-18 x 3/4" FLAT SOCKET CAP SCREW
4B N/S	1	TRC0576	ARMREST CONTROL MOUNTING ASS'Y, TOGGLE SWITCH	10B N/S	2	TRH0493	5/16-18 x 3/4" HEX HEAD CAP SCREW
5	1	TRX3423	TILTING PLATE, RIGHT	11	4	TRH0603	5/16-18 x 1" HEX HEAD FLANGED CAP SCREW GR8