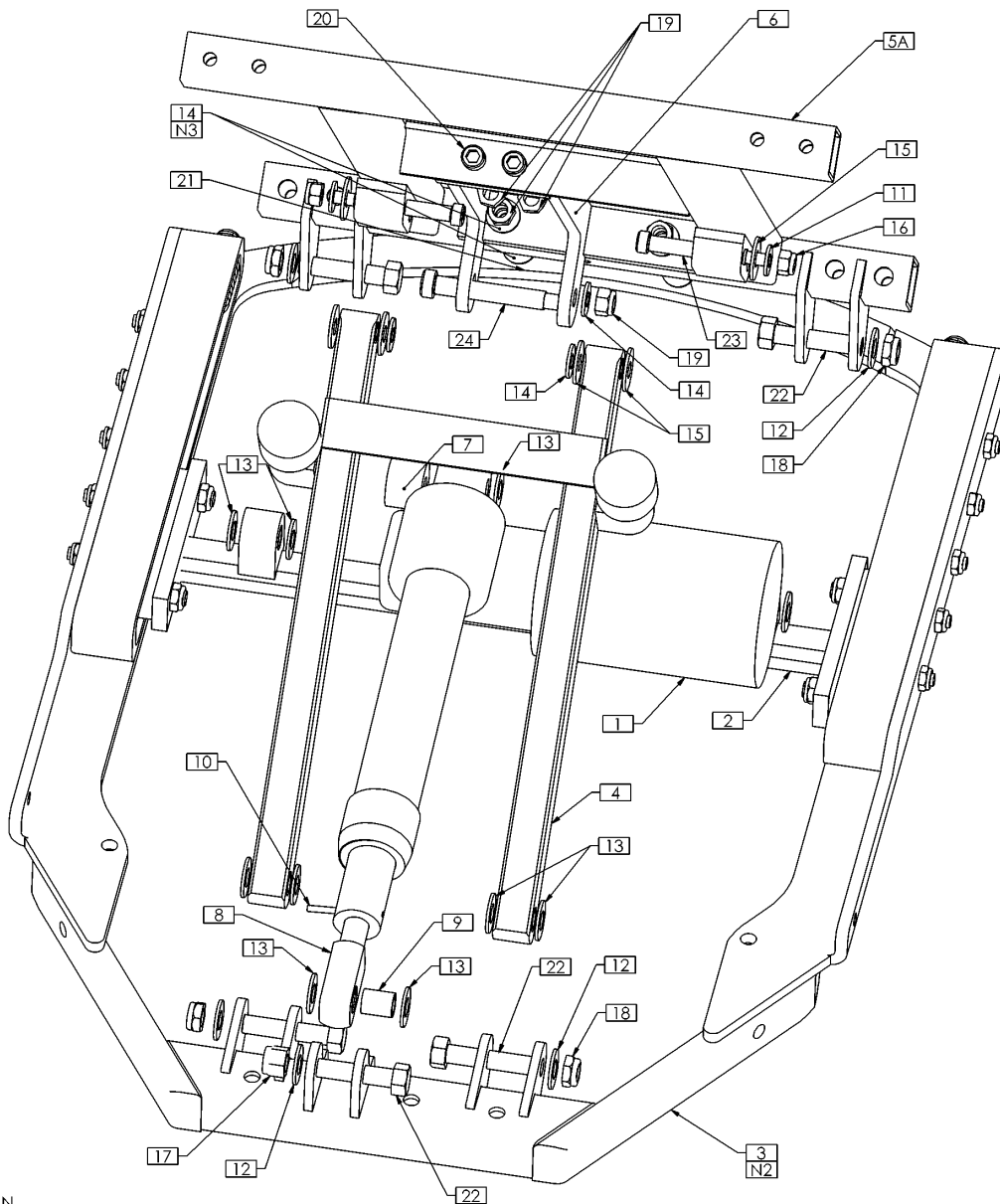


TRC0166 - J14 CG SYSTEM

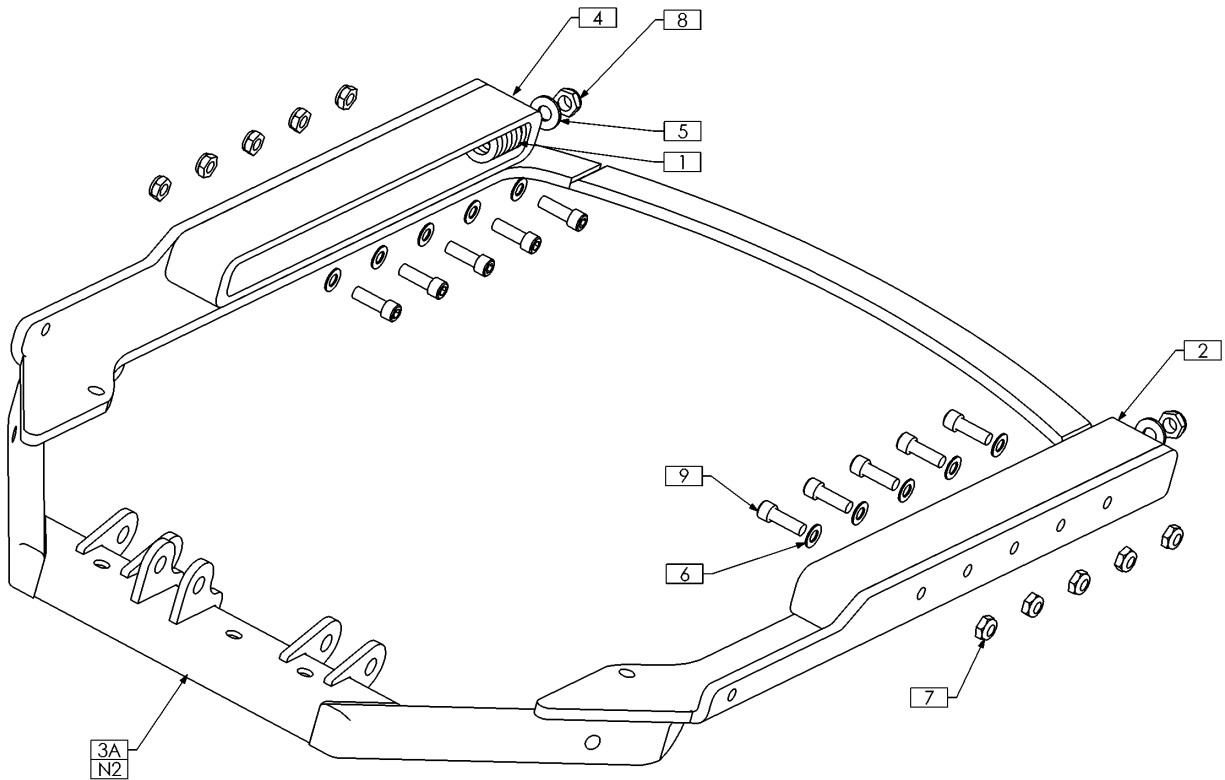


NOTES:

1. N/S = NOT SHOWN
2. FOR J1121 CGT OR J14 LOW PROFILE FOR TDX CGT, ENSURE PROPER INTERFACE FRAME IS USED - SEE TRC0156
3. USE AS REQUIRED

ITEM NO.	QTY.	PART NO.	DESCRIPTION	ITEM NO.	QTY.	PART NO.	DESCRIPTION
1	1	TRA0489	ACTUATOR, 5" STROKE, STD END	12	5	TRH0104	3/8" FLAT WASHER
2	1	TRC0155	SLIDER ASS'Y	13	11	TRH0105	3/8" NYLON WASHER
3	1	TRC0156	SUB-FRAME ASS'Y	14	7	TRH0107	5/16" FLAT WASHER
4	1	TRC0157	PIVOT FRAME ASS'Y	15	6	TRH0109	5/16" NYLON WASHER
5A	1	TRX0294	SEAT FRAME 16", 17", & 18" WIDTHS	16	2	TRH0201	1/4-20 NYLOC NUT
5B N/S	1	TRX0296	SEAT FRAME 19", 20" & 21" WIDTHS	17	1	TRH0204	3/8-16 NYLOC NUT
5C N/S	1	TRX0531	SEAT FRAME 22", 23" & 24" WIDTHS	18	4	TRH0205	3/8-16 SHALLOW NYLOC NUT
6	1	TRX0446	REAR ACTUATOR SUPPORT ASS'Y	19	5	TRH0206	5/16-18 NYLOC NUT
7	1	TRX0451	REAR ACTUATOR SUPPORT SPACER	20	2	TRH0317	5/16-18 x 1" SOCKET HEAD CAP SCREW GR8
8	1	TRX1148-250	ROD END	21	2	TRH0358	5/16-18 x 2" SOCKET HEAD CAP SCREW GR8
9	1	TRH0005	3/8"ID x 1/2"OD x 5/8" BRONZE BUSHING	22	5	TRH0370	3/8-16 x 1 1/4" HEX HEAD CAP SCREW
10	1	TRH0034	SLOTTED SPRING, TENSION PIN 0.125 x 1.125	23	2	TRH0410	5/16 x 2" SOCKET HEAD SHOULDER BOLT
11	2	TRH0101	1/4" FLAT WASHER	24	1	TRH0414	3/8 x 2 1/4" SOCKET HEAD SHOULDER BOLT

TRC0156 - SUB-FRAME ASS'Y, J14

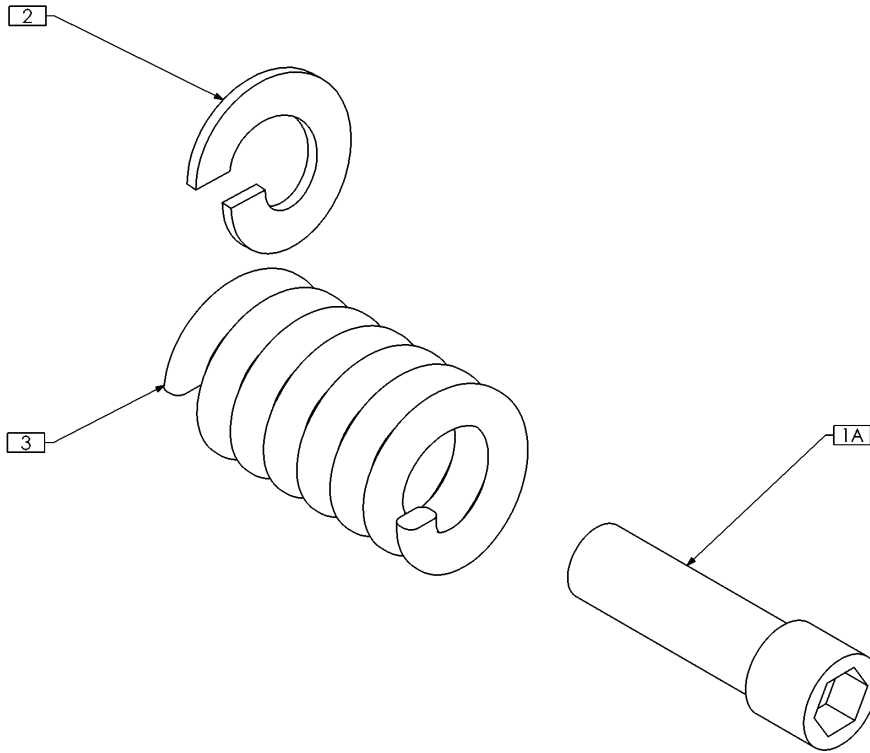


NOTES:

- 1. N/S = NOT SHOWN
- 2. FOR J1121 CGT, USE ITEM 3B - TRX1469. FOR J14 LOW PROFILE FOR TDX CGT, USE ITEM 3C - TRX2025

ITEM NO.	QTY.	PART NO.	DESCRIPTION
1	2	TRC0165	SPRING ASS'Y
2	1	TRX0433	SLIDE RAIL, 3/4", LEFT
3A	1	TRX0436	INTERFACE FRAME
3B N/S	1	TRX1469	INTERFACE FRAME
3C N/S	1	TRX2025	INTERFACE FRAME WLD
4	1	TRX0593	SLIDE RAIL, 3/4", RIGHT
5	2	TRH0107	5/16" FLAT WASHER
6	10	TRH0120	17/64" FLAT WASHER
7	10	TRH0202	1/4-20 SHALLOW NYLOC NUT
8	2	TRH0207	5/16-18 SHALLOW NYLOC NUT
9	10	TRH0401	1/4-20 x 3/4" SOCKET HEAD CAP SCREW GR8

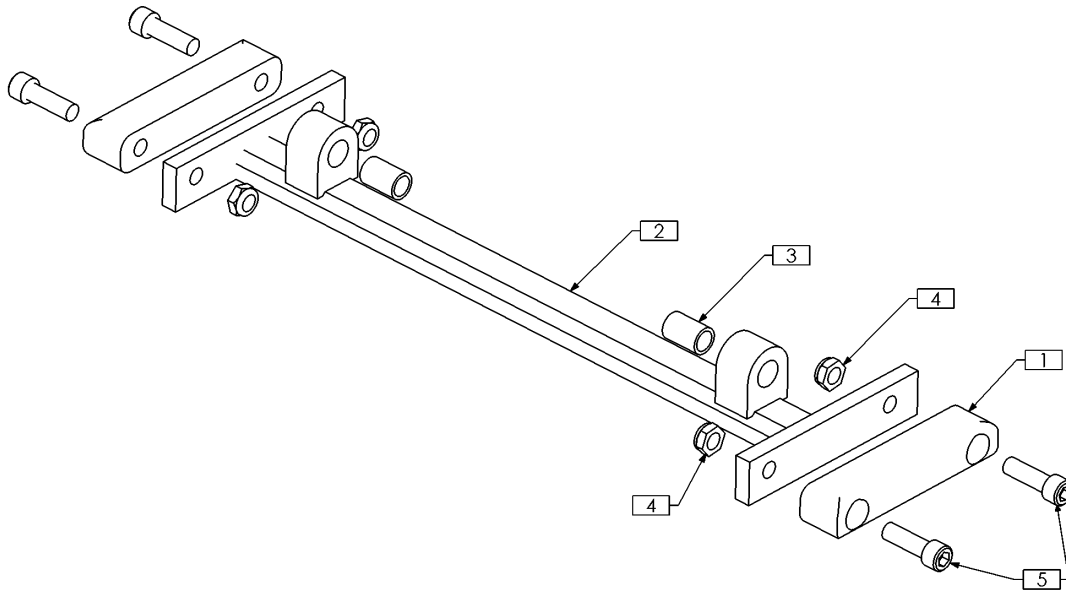
TRC0165 - SPRING ASS'Y, J14



NOTES:
 1. N/S = NOT SHOWN
 2. ITEM 1B IS USED WHEN OTHER ASSEMBLIES ARE ATTACHED TO THE REAR OF THE SUB FRAME

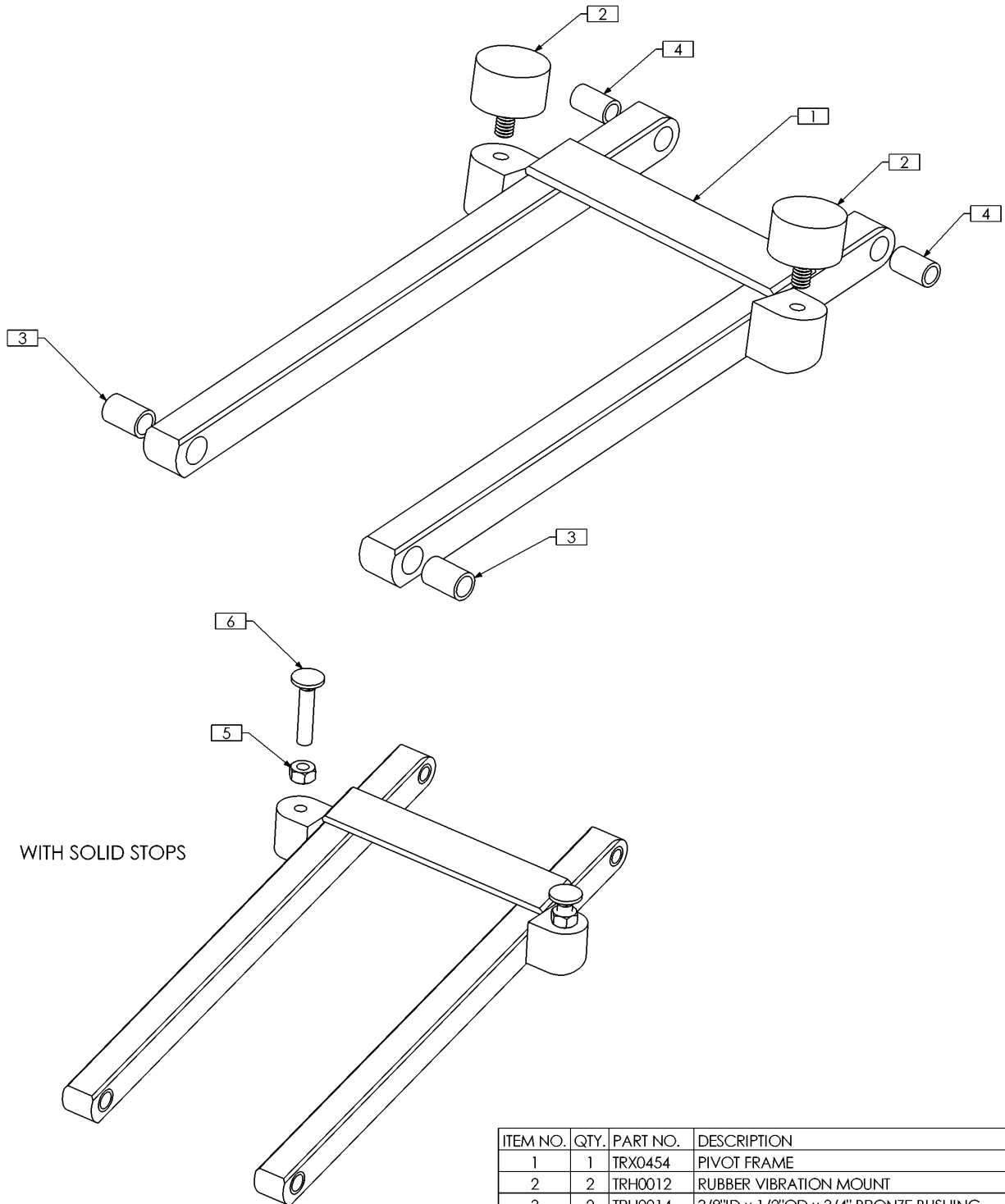
ITEM NO.	QTY.	PART NO.	DESCRIPTION
1A	1	TRX0529	MODIFIED 5/16-18 X 1" HEX SOCKET CAP SCREW FOR SPRING
1B N/S	1	TRX1547	MOD. 5/16-18 X 1.5" HEX SOCKET CAP SCREW FOR SPRING
2	1	TRX0530	MODIFIED 5/16" FLAT WASHER FOR SPRING
3	1	TRM0195	3/8"ID X 1.25" MEDIUM HEAVY DUTY DIE SPRING

TRC0155 - SLIDER ASS'Y, J14



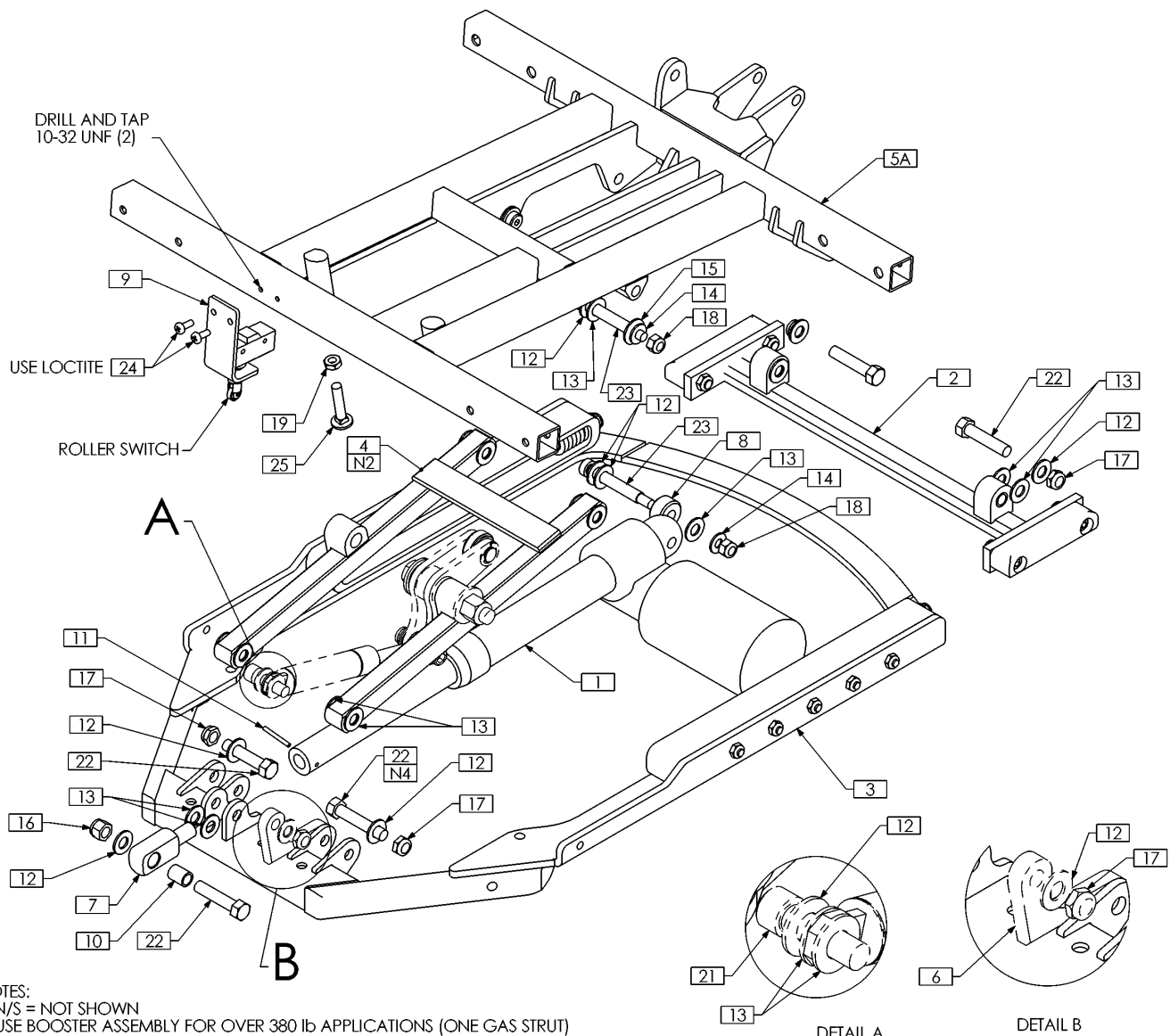
ITEM NO.	QTY.	PART NO.	DESCRIPTION
1	2	TRX0422	GLIDE BLOCK
2	1	TRX0447	SLIDER
3	2	TRH0014	3/8"ID x 1/2"OD x 3/4" BRONZE BUSHING
4	4	TRH0207	5/16-18 SHALLOW NYLOC NUT
5	4	TRH0317	5/16-18 x 1" SOCKET HEAD CAP SCREW GR8

TRC0157 - PIVOT FRAME ASS'Y, J14



ITEM NO.	QTY.	PART NO.	DESCRIPTION
1	1	TRX0454	PIVOT FRAME
2	2	TRH0012	RUBBER VIBRATION MOUNT
3	2	TRH0014	3/8"ID x 1/2"OD x 3/4" BRONZE BUSHING
4	2	TRH0018	5/16"ID x 7/16"OD x 3/4" BRONZE BUSHING
5	2	TRH0212	5/16-18 HEX JAM NUT
6	2	TRH0471	5/16-18 x 1 1/2" SQUARE NECK CARRIAGE SCREW

TRC0232 - J14 BARIATRIC SYSTEM

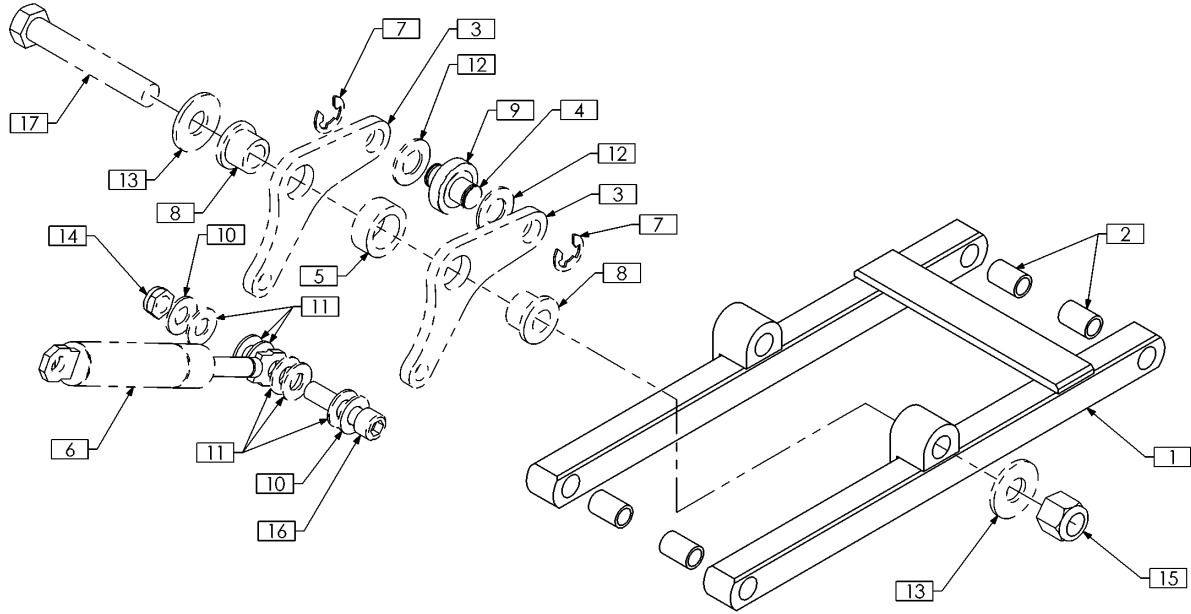


NOTES:

1. N/S = NOT SHOWN
2. USE BOOSTER ASSEMBLY FOR OVER 380 lb APPLICATIONS (ONE GAS STRUT)
3. FOR BOOSTER APPLICATION, USE ITEMS SHOWN IN DETAIL 'A' AND 'B'
4. USE ITEM 20 FOR BOOSTER APPLICATION

ITEM NO.	QTY.	PART NO.	DESCRIPTION	ITEM NO.	QTY.	PART NO.	DESCRIPTION
1	1	TRA0489	ACTUATOR, 5" STROKE, STD END	13	19	TRH0105	3/8" NYLON WASHER
2	1	TRC0155	SLIDER ASS'Y	14	3	TRH0107	5/16" FLAT WASHER
3	1	TRC0156	SUB-FRAME ASS'Y	15	2	TRH0109	5/16" NYLON WASHER
4	1	TRC0233	PIVOT FRAME ASS'Y	16	1	TRH0204	3/8-16 NYLOC NUT
5A	1	TRX0767	SEAT FRAME, 22", 23", 24" WIDTHS	17	5	TRH0205	3/8-16 SHALLOW NYLOC NUT
5B N/S	1	TRX1625	SEAT FRAME, 25", 26", 27" WIDTHS	18	3	TRH0206	5/16-18 NYLOC NUT
5C N/S	1	TRX1626	SEAT FRAME, 28", 29", 30" WIDTHS	19	2	TRH0236	5/16-18 SHALLOW HEX JAM NUT
6	1	TRX0801	BOOSTER GAS STRUT FRAME MOUNT	20	1	TRH0310	3/8-16 x 2" HEX HEAD CAP SCREW
7	1	TRX1148-250	ROD END	21	1	TRH0347	3/8-16 x 1 1/4" SOCKET HEAD CAP SCREW GR8
8	1	TRX1669-0530	SPACER, 3/8 X 1	22	5	TRH0370	3/8-16 x 1 3/4" HEX HEAD CAP SCREW
9	1	TRX2312	ROLLER SWITCH BRACKET	23	3	TRH0414	3/8 x 2 1/4" SOCKET HEAD SHOULDER BOLT
10	1	TRH0005	3/8" ID x 1/2" OD x 5/8" BRONZE BUSHING	24	2	TRH0464	#10-32 x 1/2" PAN PHILLIPS MACHINE SCREW
11	1	TRH0034	SLOTTED SPRING, TENSION PIN 0.125 x 1.125	25	2	TRH0471	5/16-18 x 1 1/2" SQUARE NECK CARRIAGE SCREW
12	11	TRH0104	3/8" FLAT WASHER				

TRC0233 - PIVOT FRAME ASS'Y, BARIATRIC

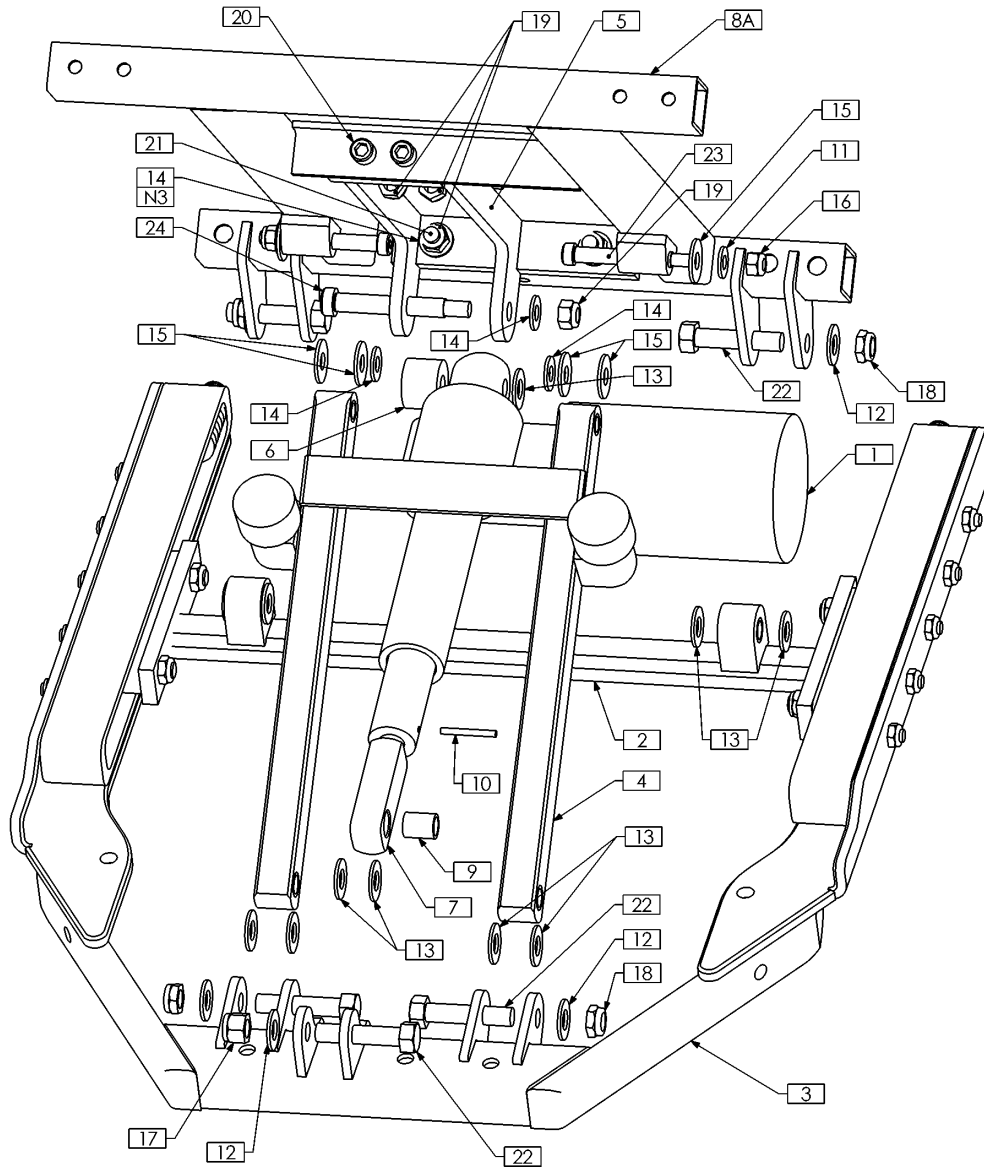


NOTES:

1. FOR BOOSTER APPLICATION, USE ITEMS 3 THRU 17

ITEM NO.	QTY.	PART NO.	DESCRIPTION	ITEM NO.	QTY.	PART NO.	DESCRIPTION
1	1	TRX0768	PIVOT FRAME WLD	10	2	TRH0104	3/8" FLAT WASHER
2	4	TRH0014	3/8"ID x 1/2"OD x 3/4" BRONZE BUSHING	11	6	TRH0105	3/8" NYLON WASHER
3	2	TRX0800	SIDE PLATE, BELL CRANK	12	2	TRH0118	1/2"ID x 1"OD x 0.060" NYLON WASHER
4	1	TRX0804	BOOSTER R8 BEARING PIN	13	2	TRH0129	1/8" FLAT WASHER AA
5	1	TRX0922	BUSHING	14	1	TRH0205	3/8-16 SHALLOW NYLOC NUT
6	1	TRM0237	GAS STRUT	15	1	TRH0226	1/2-20 NYLOC NUT
7	2	TRH0025	1/2" EXTERNAL RETAINING RING	16	1	TRH0376	3/8-16 x 1 1/2 SOCKET HEAD CAP SCREW GR8
8	2	TRH0032	1/2"ID x 3/4"OD x 1" FLANGED BRONZE BUSHING	17	1	TRH0417	1/2-20 x 3/4" HEX HEAD CAP SCREW
9	1	TRH0033	BLAST BEARING				

TRC0359 - J14 MEDIUM SYSTEM

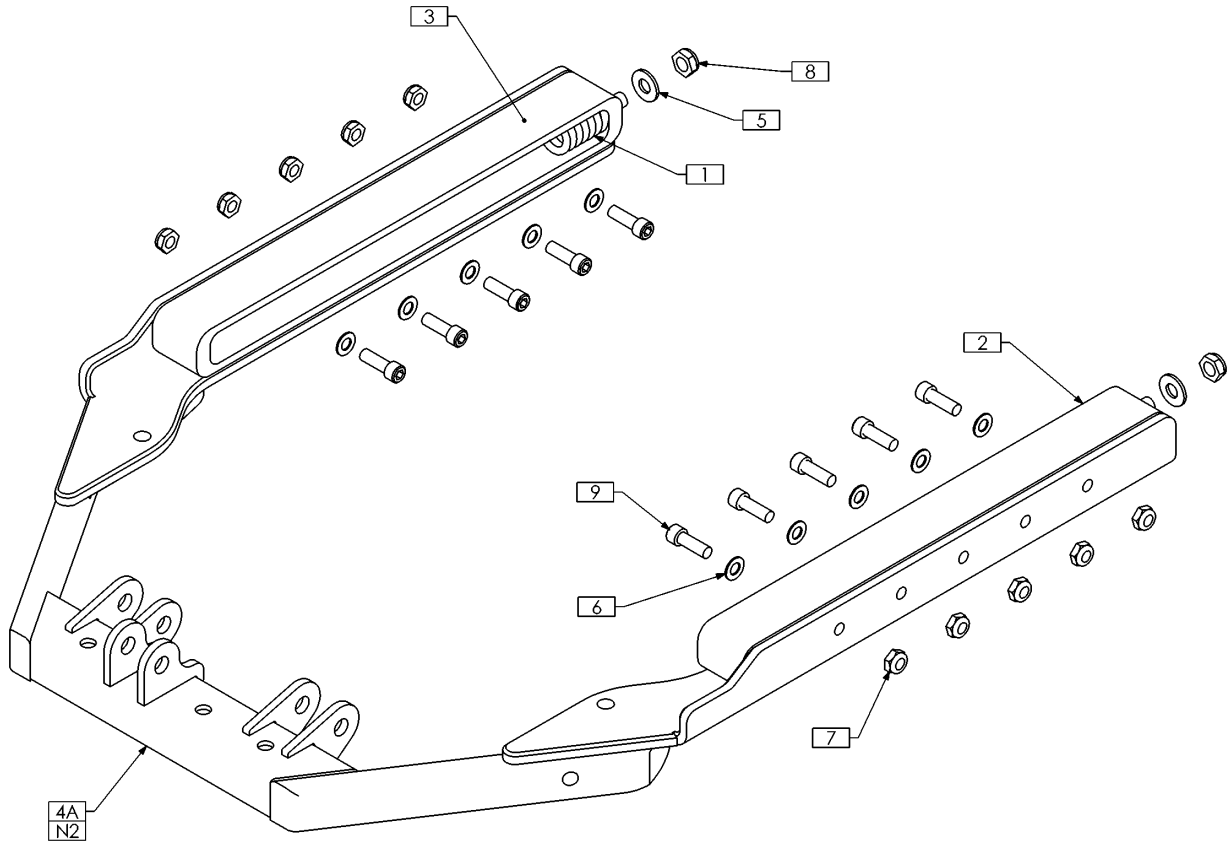


NOTES:

- 1. N/S = NOT SHOWN
- 2. FOR J14M LOW PROFILE FOR TDX CGT, ENSURE PROPER INTERFACE FRAME IS USED - SEE TRC0360
- 3. USE AS REQUIRED

ITEM NO.	QTY.	PART NO.	DESCRIPTION	ITEM NO.	QTY.	PART NO.	DESCRIPTION
1	1	TRA0548	ACTUATOR, 3" STROKE	13	11	TRH0105	3/8" NYLON WASHER
2	1	TRC0155	SLIDER ASS'Y	14	7	TRH0107	5/16" FLAT WASHER
3	1	TRC0360	SUB-FRAME ASS'Y	15	6	TRH0109	5/16" NYLON WASHER
4	1	TRC0361	PIVOT FRAME ASS'Y	16	2	TRH0201	1/4"-20 NYLOC NUT
5	1	TRX0446	REAR ACTUATOR SUPPORT ASS'Y	17	1	TRH0204	3/8-16 NYLOC NUT
6	1	TRX0451	REAR ACTUATOR SUPPORT SPACER	18	4	TRH0205	3/8-16 SHALLOW NYLOC NUT
7	1	TRX1148-325	ROD END	19	5	TRH0206	5/16-18 NYLOC NUT
8A	1	TRX1768	MEDIUM SEAT FRAME 16", 17", & 18" WIDTHS	20	2	TRH0317	5/16-18 x 1" SOCKET HEAD CAP SCREW GR8
8B N/S	1	TRX1769	MEDIUM SEAT FRAME 19", 20" & 21" WIDTHS	21	2	TRH0358	5/16-18 x 2" SOCKET HEAD CAP SCREW GR8
9	1	TRH0005	3/8"ID x 1/2"OD x 5/8" BRONZE BUSHING	22	5	TRH0370	3/8-16 x 1 3/4" HEX HEAD CAP SCREW
10	1	TRH0034	SLOTTED SPRING, TENSION PIN 0.125 x 1.125	23	2	TRH0410	5/16 x 2" SOCKET HEAD SHOULDER BOLT
11	2	TRH0101	1/4" FLAT WASHER	24	1	TRH0414	3/8 x 2 1/4" SOCKET HEAD SHOULDER BOLT
12	5	TRH0104	3/8" FLAT WASHER				

TRC0360 - SUB-FRAME ASS'Y, J14 MEDIUM

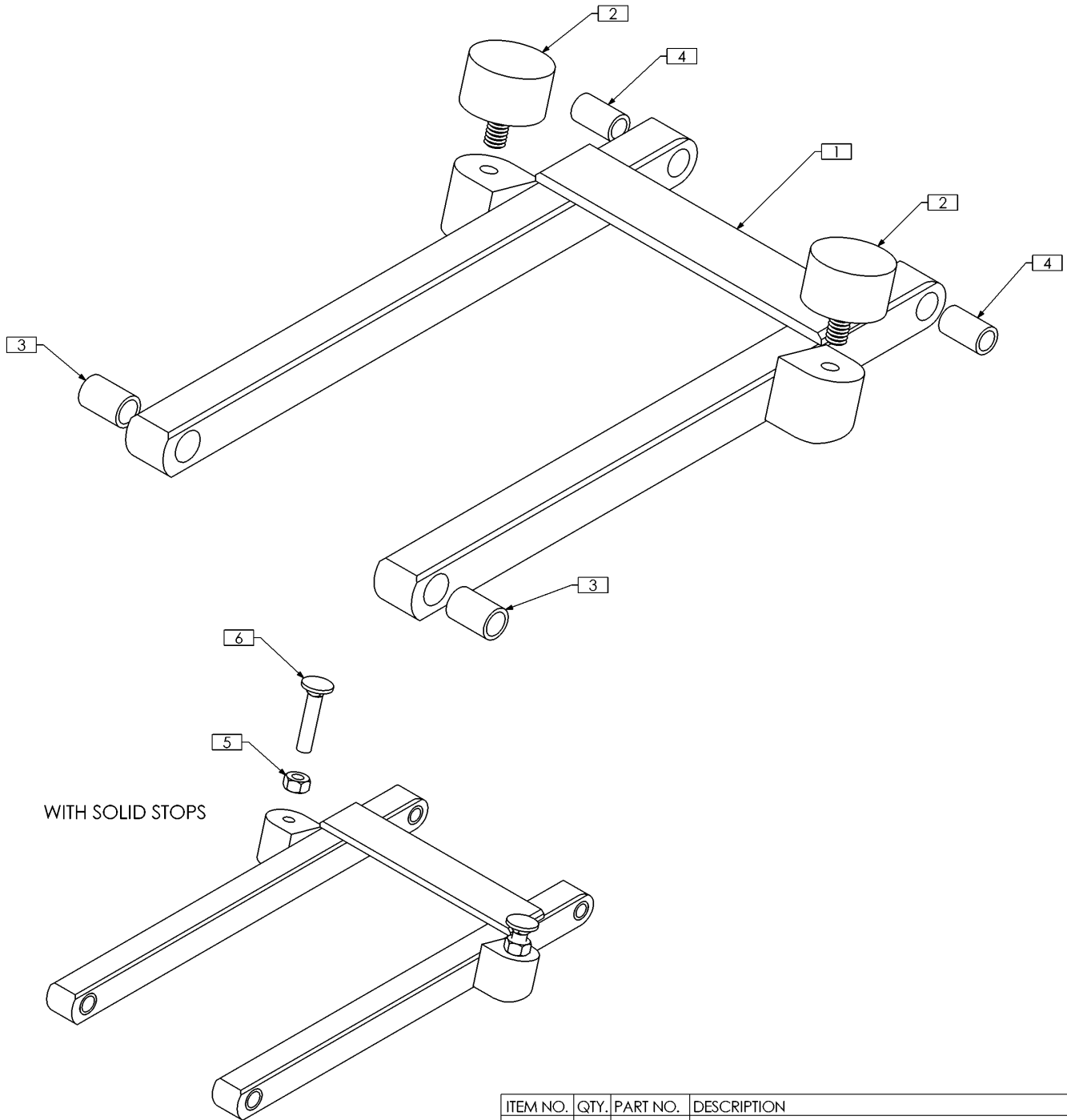


NOTES:

1. N/S = NOT SHOWN
2. FOR J14M LOW PROFILE FOR TDX CGT, USE ITEM 4B - TRX2026

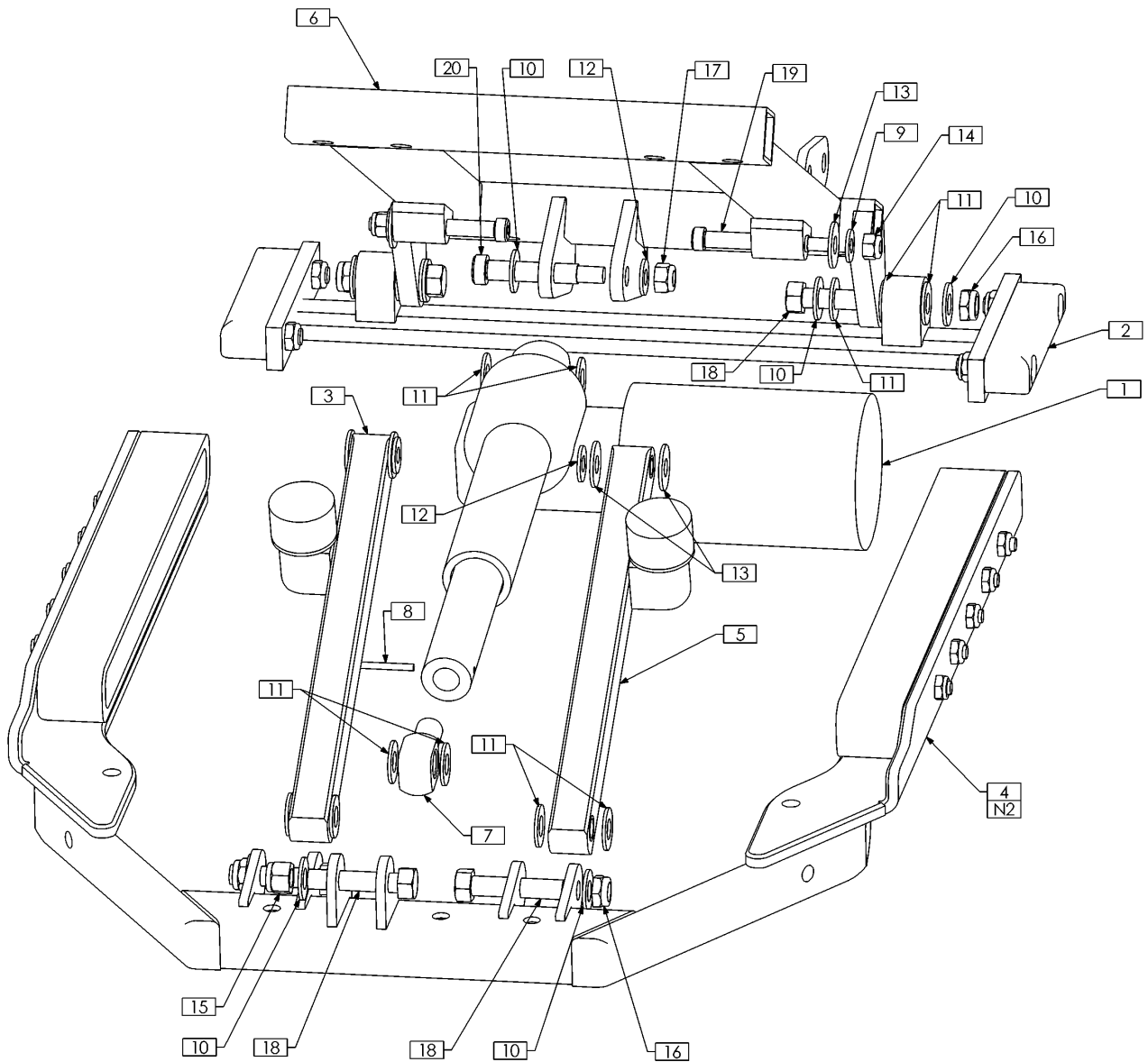
ITEM NO.	QTY.	PART NO.	DESCRIPTION
1	2	TRC0165	SPRING ASS'Y
2	1	TRX0433	SLIDE RAIL, 3/4", LEFT
3	1	TRX0593	SLIDE RAIL, 3/4", RIGHT
4A	1	TRX0819	INTERFACE FRAME WLD
4B N/S	1	TRX2026	INTERFACE FRAME WLD
5	2	TRH0107	5/16" FLAT WASHER
6	10	TRH0120	17/64" FLAT WASHER
7	10	TRH0202	1/4-20 SHALLOW NYLOC NUT
8	2	TRH0207	5/16-18 SHALLOW NYLOC NUT
9	10	TRH0401	1/4-20 x 3/4" SOCKET HEAD CAP SCREW GR8

TRC0361 - PIVOT FRAME ASS'Y, J14 MEDIUM



ITEM NO.	QTY.	PART NO.	DESCRIPTION
1	1	TRX2015	PIVOT FRAME WLD
2	2	TRH0012	RUBBER VIBRATION MOUNT
3	2	TRH0014	3/8"ID x 1/2"OD x 3/4" BRONZE BUSHING
4	2	TRH0018	5/16"ID x 7/16"OD x 3/4" BRONZE BUSHING
5	2	TRH0212	5/16-18 HEX JAM NUT
6	2	TRH0471	5/16-18 x 1 1/2" SQUARE NECK CARRIAGE SCREW

TRC0218 - J14 PEDIATRIC SYSTEM



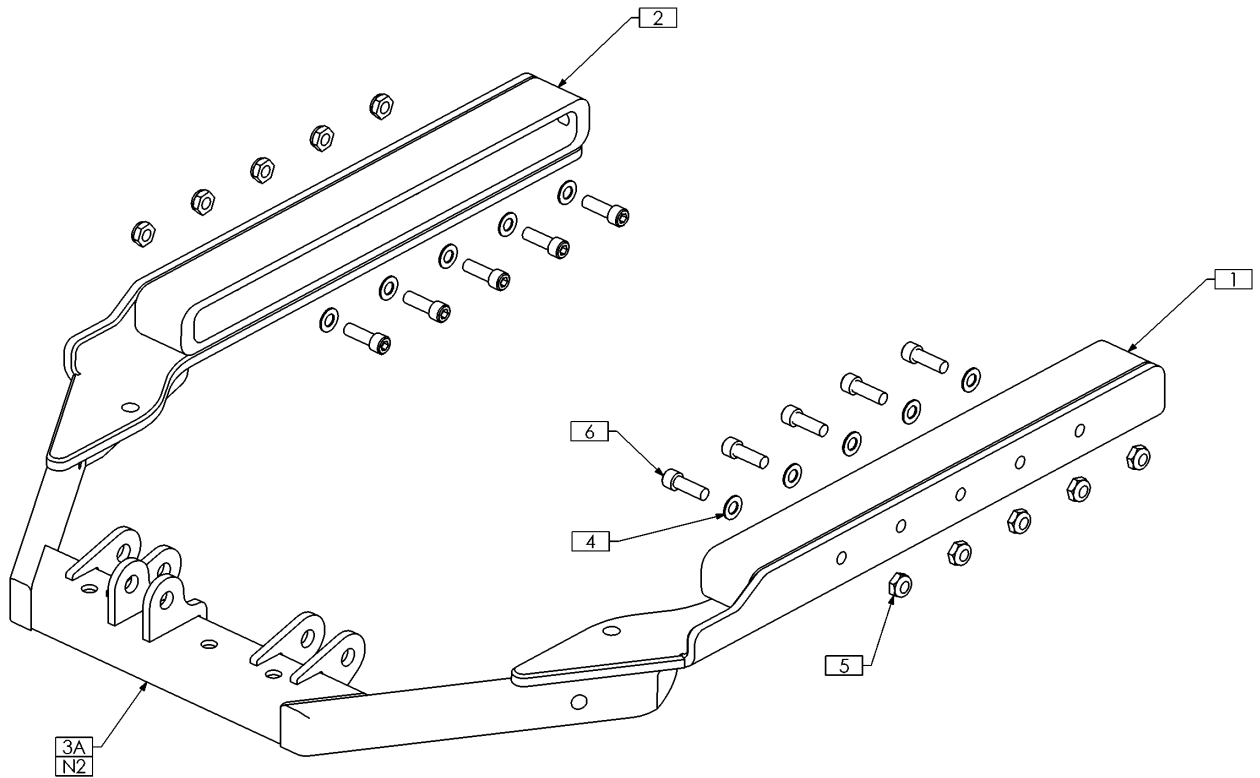
NOTES:

1. N/S = NOT SHOWN

2. FOR J14P LOW PROFILE FOR TDX CGT, ENSURE PROPER INTERFACE FRAME IS USED - SEE TRC0213

ITEM NO.	QTY.	PART NO.	DESCRIPTION	ITEM NO.	QTY.	PART NO.	DESCRIPTION
1	1	TRA0548	ACTUATOR, 3" STROKE	11	14	TRH0105	3/8" NYLON WASHER
2	1	TRC0155	SLIDER ASS'Y	12	3	TRH0107	5/16" FLAT WASHER
3	1	TRC0212	PIVOT FRAME ASS'Y, RIGHT	13	6	TRH0109	5/16" NYLON WASHER
4	1	TRC0213	SUB-FRAME ASS'Y	14	2	TRH0201	1/4-20 NYLOC NUT
5	1	TRC0219	PIVOT FRAME ASS'Y, LEFT	15	1	TRH0204	3/8-16 NYLOC NUT
6	1	TRX0824	SEAT FRAME 12", 13", 14", 15" WIDTHS	16	4	TRH0205	3/8-16 SHALLOW NYLOC NUT
7	1	TRX1148-175	ROD END	17	1	TRH0206	5/16-18 NYLOC NUT
8	1	TRH0034	SLOTTED SPRING, TENSION PIN 0.125 x 1.125	18	5	TRH0370	3/8-16 x 1 1/2" HEX HEAD CAP SCREW
9	2	TRH0101	1/4" FLAT WASHER	19	2	TRH0410	5/16 x 2" SOCKET HEAD SHOULDER BOLT
10	8	TRH0104	3/8" FLAT WASHER	20	1	TRH0443	3/8 x 1 3/4" SOCKET HEAD SHOULDER BOLT

TRC0213 - SUB-FRAME ASS'Y, J14 PEDIATRIC



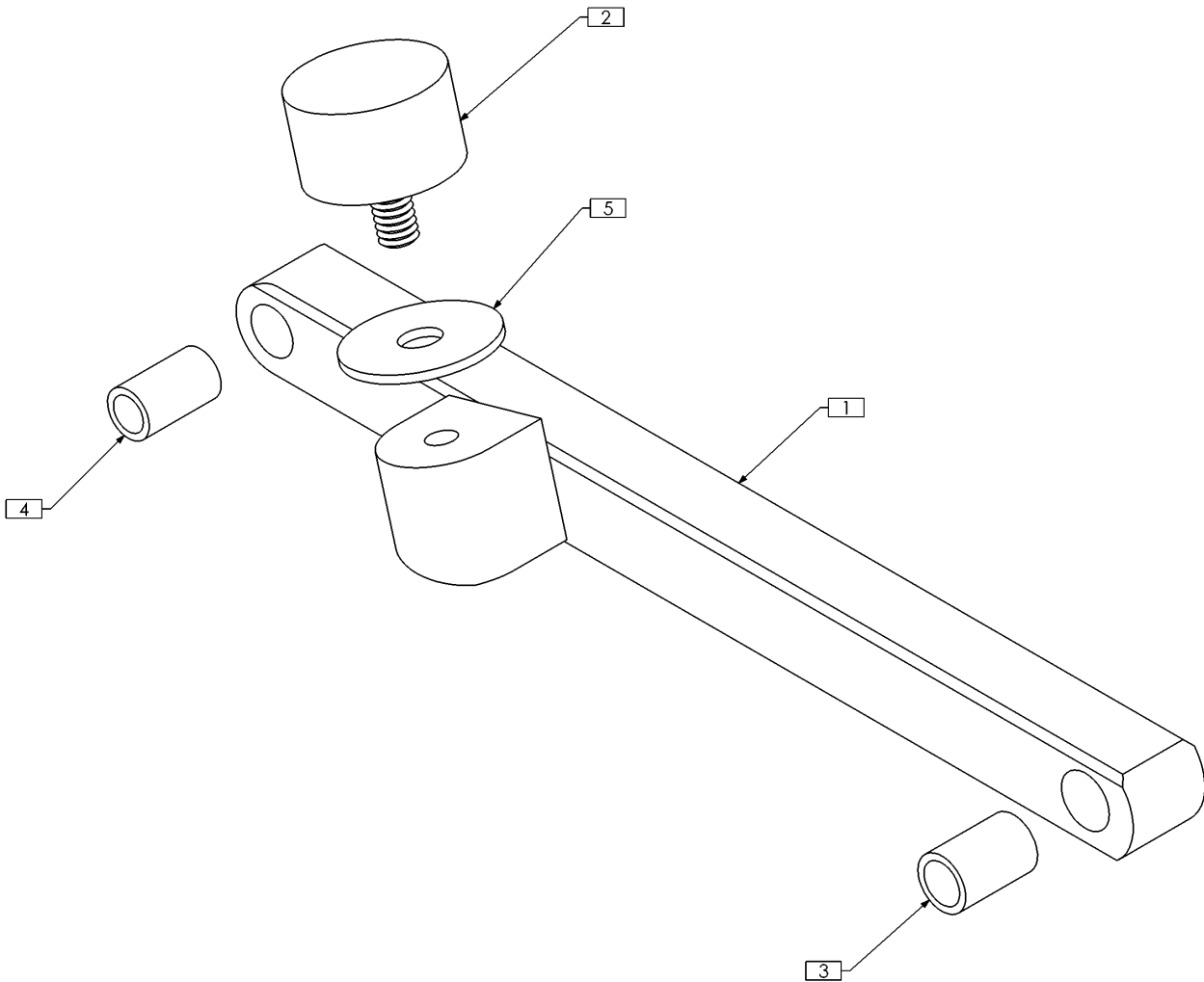
NOTES:

1. N/S = NOT SHOWN

2. FOR J14P LOW PROFILE FOR TDX CGT, USE ITEM 3B - TRX2026

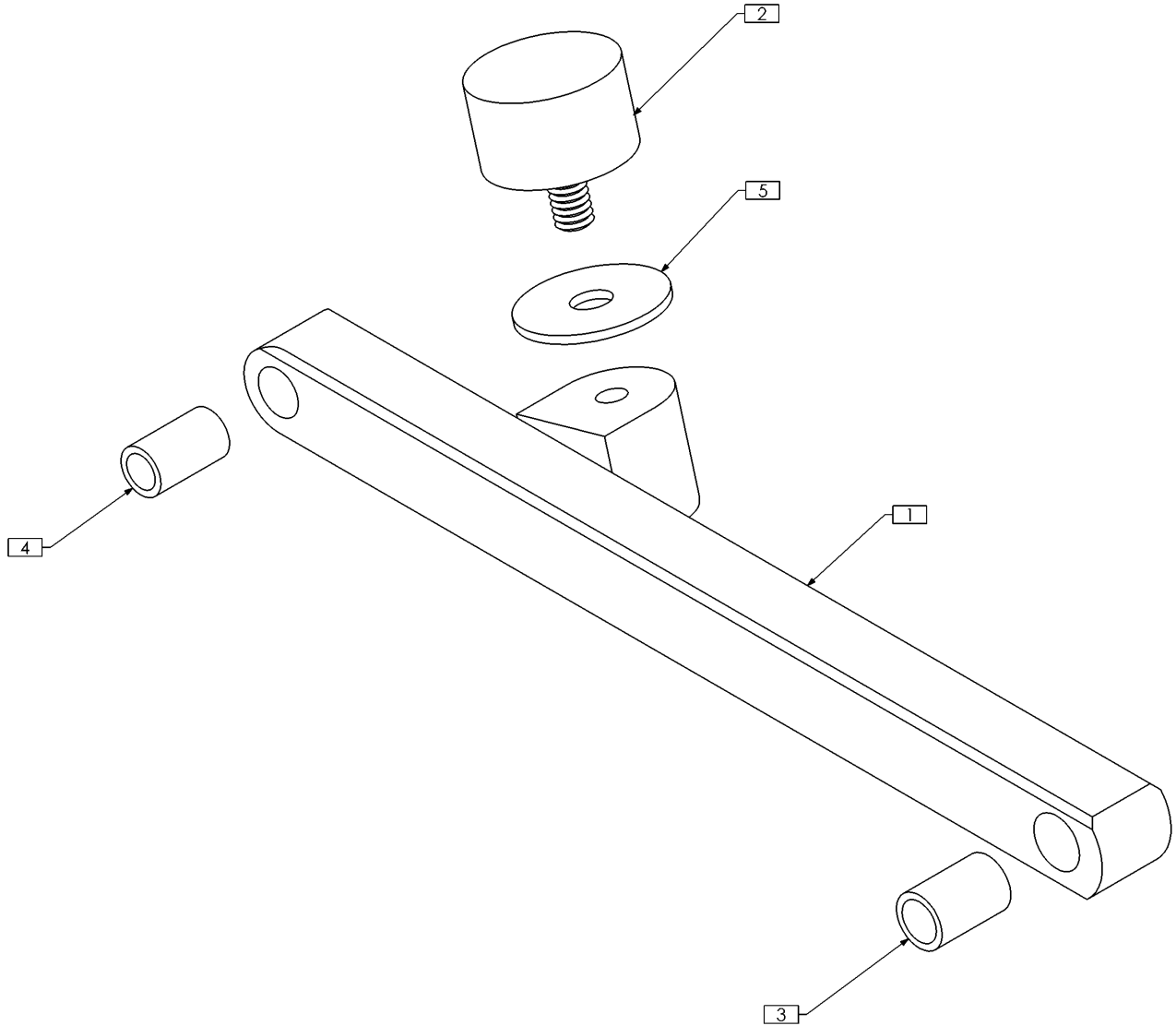
ITEM NO.	QTY.	PART NO.	DESCRIPTION
1	1	TRX0433	SLIDE RAIL, 3/4", LEFT
2	1	TRX0593	SLIDE RAIL, 3/4", RIGHT
3A	1	TRX0819	INTERFACE FRAME WLD
3B N/S	1	TRX2026	INTERFACE FRAME WLD
4	10	TRH0120	17/64" FLAT WASHER
5	10	TRH0202	1/4"-20 SHALLOW NYLOC NUT
6	10	TRH0401	1/4"-20 x 3/4" SOCKET HEAD CAP SCREW GR8

TRC0212 - PIVOT FRAME ASS'Y, RIGHT, PEDIATRIC



ITEM NO.	QTY.	PART NO.	DESCRIPTION
1	1	TRX0842	PIVOT BRACE ASS'Y, RIGHT
2	1	TRH0012	RUBBER VIBRATION MOUNT
3	1	TRH0014	3/8"ID x 1/2"OD x 3/4" BRONZE BUSHING
4	1	TRH0018	5/16"ID x 7/16"OD x 3/4" BRONZE BUSHING
5	1	TRH0123	3/16" x 1.125" OD FLAT WASHER

TRC0219 - PIVOT FRAME ASS'Y, LEFT, PEDIATRIC



ITEM NO.	QTY.	PART NO.	DESCRIPTION
1	1	TRX0827	PIVOT BRACE ASS'Y, LEFT
2	1	TRH0012	RUBBER VIBRATION MOUNT
3	1	TRH0014	3/8"ID x 1/2"OD x 3/4" BRONZE BUSHING
4	1	TRH0018	5/16"ID x 7/16"OD x 3/4" BRONZE BUSHING
5	1	TRH0123	3/16" x 1.125" OD FLAT WASHER