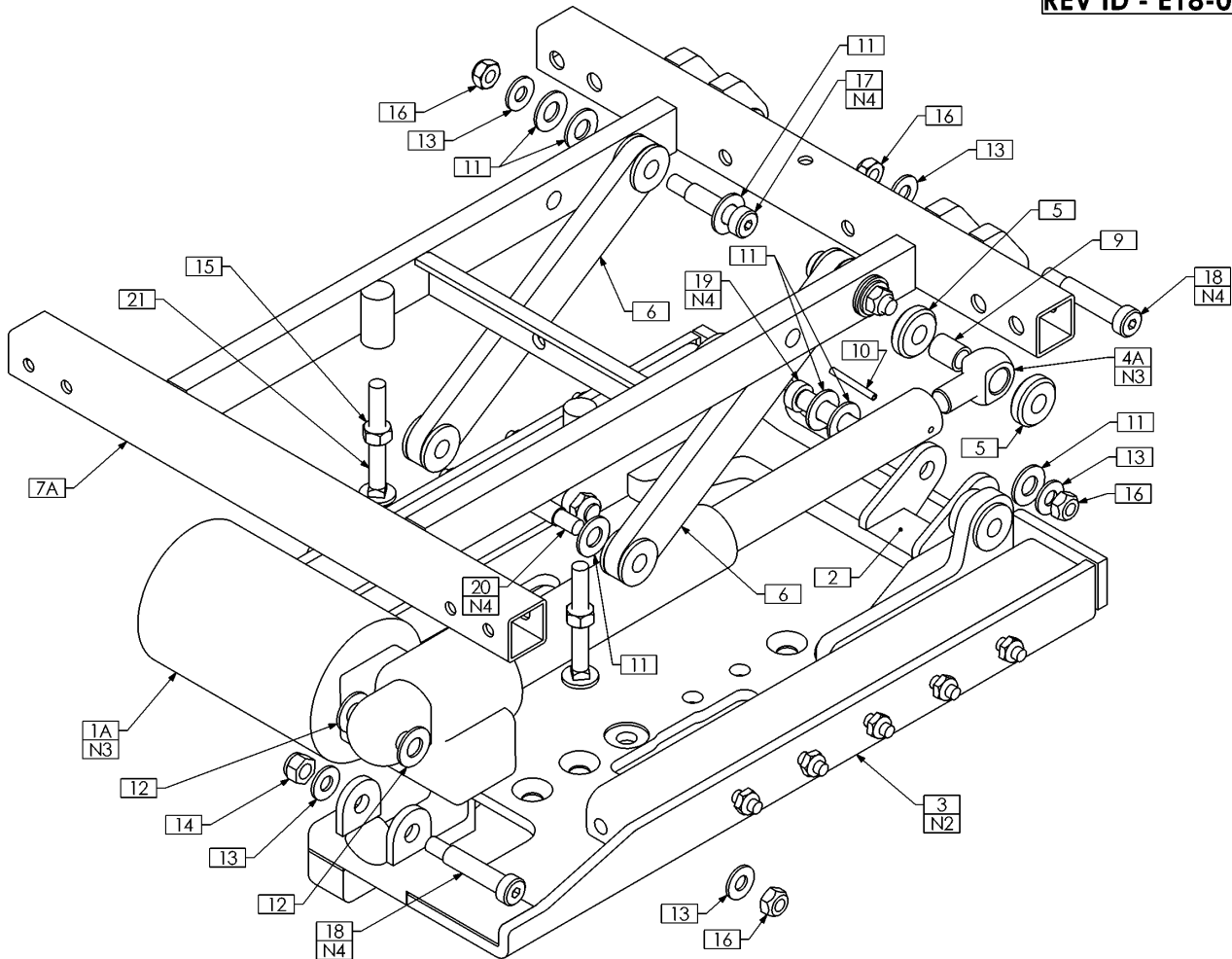


TRC0416 - CG SYSTEM, LOW-PRO

REV ID - E18-0114



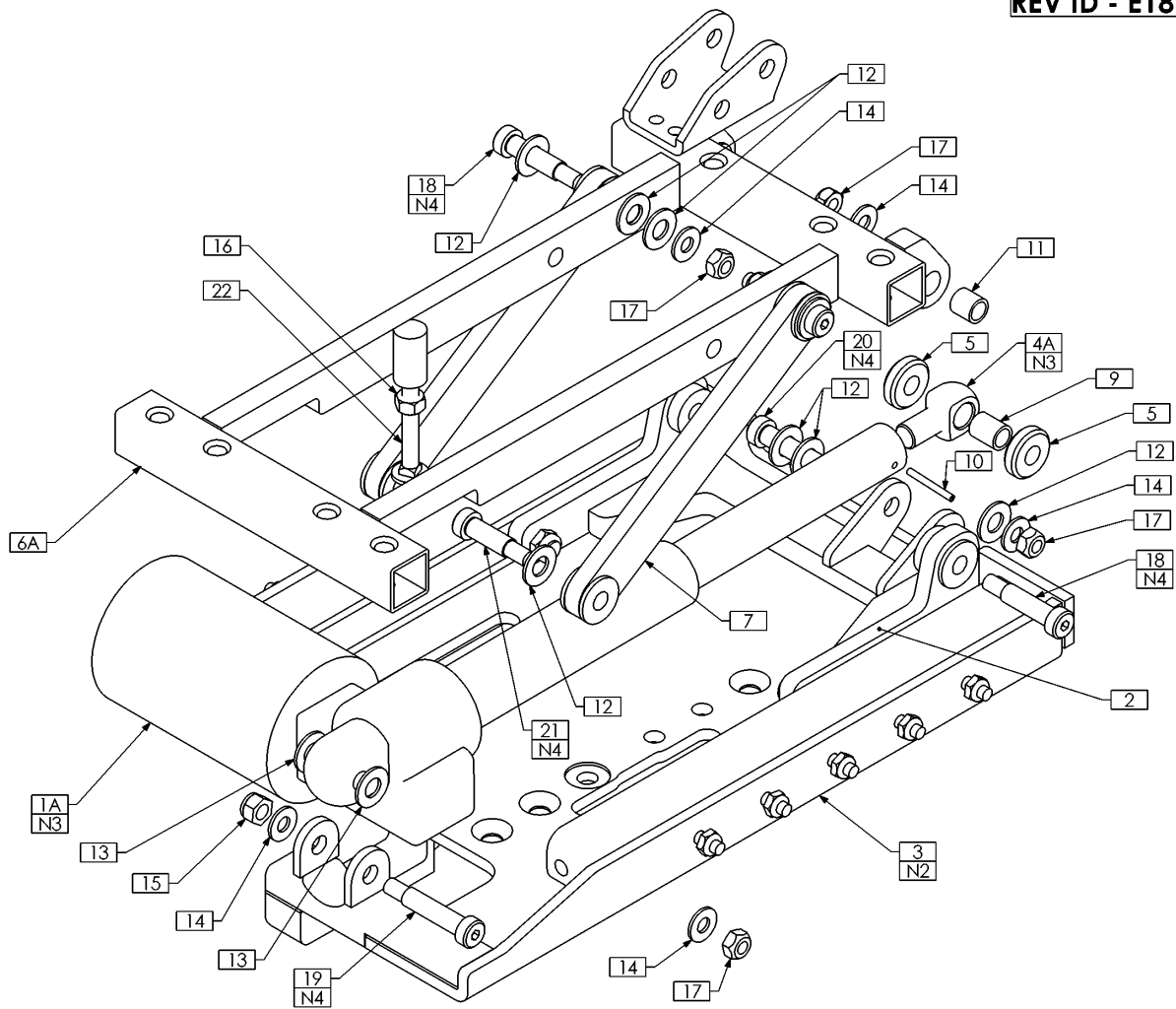
NOTES:

1. N/S = NOT SHOWN
2. ENSURE PROPER SUB FRAME ASS'Y IS USED - SEE TRC0415. USE SHORT TAB INSULATION COVER - ITEM 8B WHEN SHORT TAB BASE WLD IS USED - TRX2291
3. FOR 40° TILT, USE ITEM 1B (3" ACTUATOR) AND ITEM 4B (3-7/8" ROD END)
4. SHOULDER BOLT MUST EXTEND THROUGH ENTIRE PIVOT

ITEM NO.	QTY.	PART NO.	DESCRIPTION	ITEM NO.	QTY.	PART NO.	DESCRIPTION
1A	1	TRA0660	ACTUATOR, 4" STROKE	8B N/S	1	TRM0475	INSULATION COVER, SHORT TAB
1B N/S	1	TRA0548	ACTUATOR, 3" STROKE	9	1	TRH0005	BUSHING 0.375 I.D X 0.500 O.D X 0.625 LG
2	1	TRC0414	SLIDER ASS'Y	10	1	TRH0034	SLOTTED SPRING, TENSION PIN 0.125 x 1.125
3	1	TRC0415	SUB FRAME ASS'Y	11	11	TRH0104	3/8" FLAT WASHER
4A	1	TRX1148-175	ROD END	12	2	TRH0105	3/8" NYLON WASHER
4B N/S	1	TRX1148-388	ROD END	13	8	TRH0107	5/16" FLAT WASHER
5	2	TRX1669-0290	SPACER, 3/8 X 1	14	1	TRH0206	5/16-18 NYLOC NUT
6	2	TRX2395	TILT LINK ASS'Y	15	2	TRH0212	5/16-18 HEX NUT
7A	1	TRX2401	SEAT FRAME WLD (16", 17", 18"), 14" DP	16	7	TRH0237	5/16-18 STOVER LOCK NUT
7B N/S	1	TRX2402	SEAT FRAME WLD (19", 20", 21"), 14" DP	17	2	TRH0359	3/8 x 1 1/4" SOCKET HEAD SHOULDER BOLT
7C N/S	1	TRX2403	SEAT FRAME WLD (22", 23", 24"), 14" DP	18	3	TRH0413	3/8 x 1 1/2" SOCKET HEAD SHOULDER BOLT
7D N/S	1	TRX2404	SEAT FRAME WLD (16", 17", 18"), 16" DP	19	1	TRH0443	3/8 x 1 1/4" SOCKET HEAD SHOULDER BOLT
7E N/S	1	TRX2405	SEAT FRAME WLD (19", 20", 21"), 16" DP	20	2	TRH0525	3/8 x 1" SOCKET HEAD SHOULDER BOLT
7F N/S	1	TRX2406	SEAT FRAME WLD (22", 23", 24"), 16" DP	21	2	TRH0532	5/16-18 x 2 1/2" SQUARE NECK CARRIAGE SCREW
8A N/S	1	TRM0476	INSULATION COVER				

TRC0376 - CG SYSTEM, LOW-PRO, PEDIATRIC

REV ID - E18-0114



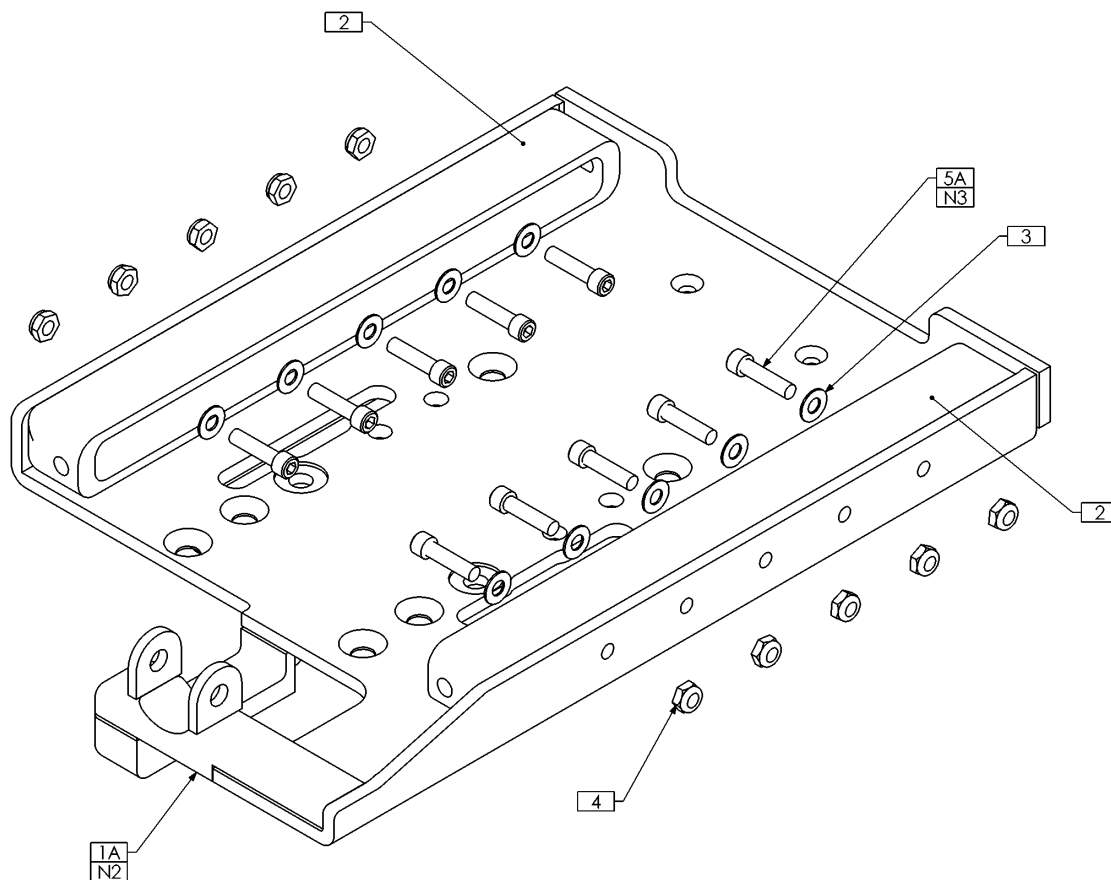
NOTES:

1. N/S = NOT SHOWN
2. ENSURE PROPER SUB FRAME ASS'Y IS USED - SEE TRC0415. USE SHORT TAB INSULATION COVER - ITEM 8B WHEN SHORT TAB BASE WLD IS USED - TRX2291
3. FOR 40° TILT, USE ITEM 1B (3" ACTUATOR) AND ITEM 4B (3-7/8" ROD END)
4. SHOULDER BOLT MUST EXTEND THROUGH ENTIRE PIVOT

ITEM NO.	QTY.	PART NO.	DESCRIPTION	ITEM NO.	QTY.	PART NO.	DESCRIPTION
1A	1	TRA0660	ACTUATOR, 4" STROKE	10	1	TRH0034	SLOTTED SPRING, TENSION PIN 0.125 x 1.125
1B N/S	1	TRA0548	ACTUATOR, 3" STROKE	11	2	TRH0037	3/8"ID x 1/2"OD x 1/2" BRONZE BUSHING
2	1	TRC0414	SLIDER ASS'Y	12	11	TRH0104	3/8" FLAT WASHER
3	1	TRC0415	SUB FRAME ASS'Y	13	2	TRH0105	3/8" NYLON WASHER
4A	1	TRX1148-175	ROD END	14	8	TRH0107	5/16" FLAT WASHER
4B N/S	1	TRX1148-388	ROD END	15	1	TRH0206	5/16-18 NYLOC NUT
5	2	TRX1669-0290	SPACER, 3/8 X 1	16	1	TRH0212	5/16-18 HEX NUT
6A	1	TRX1992	SEAT FRAME WLD, 10", 11", 12"	17	7	TRH0237	5/16-18 STOVER LOCK NUT
6B N/S	1	TRX1993	SEAT FRAME WLD, 13", 14", 15"	18	4	TRH0359	3/8 x 1 1/4" SOCKET HEAD SHOULDER BOLT
7	2	TRX2395	TILT LINK ASSY	19	1	TRH0413	3/8 x 1 1/2" SOCKET HEAD SHOULDER BOLT
8A N/S	1	TRM0476	INSULATION COVER	20	1	TRH0443	3/8 x 1 1/4" SOCKET HEAD SHOULDER BOLT
8B N/S	1	TRM0475	INSULATION COVER, SHORT TAB	21	2	TRH0525	3/8 x 1" SOCKET HEAD SHOULDER BOLT
9	1	TRH0005	BUSHING 0.375 I.D X 0.500 O.D X 0.625 LG	22	1	TRH0532	5/16-18 x 2 1/2" SQUARE NECK CARRIAGE SCREW

TRC0415 - SUB FRAME ASS'Y, LOW-PRO

REV ID - E18-0114



LOW-PRO CGT BASE WLD REFERENCE		
BASE TYPE	TRX1907	TRX2291
	BASE WLD - STD	BASE WLD - SHORT TAB
J1121	X	
J1400	X	
S646	X	
F11 (FREESTYLE)	X	
M11 (ASPIRE)	X	
STORM 3G		X
M91		X
J1113		X
J1122		X
P220		X
NOTE; ALL PES LOW-PRO APPLICATIONS MUST USE TRX1907 REGARDLESS OF BASE TYPE		

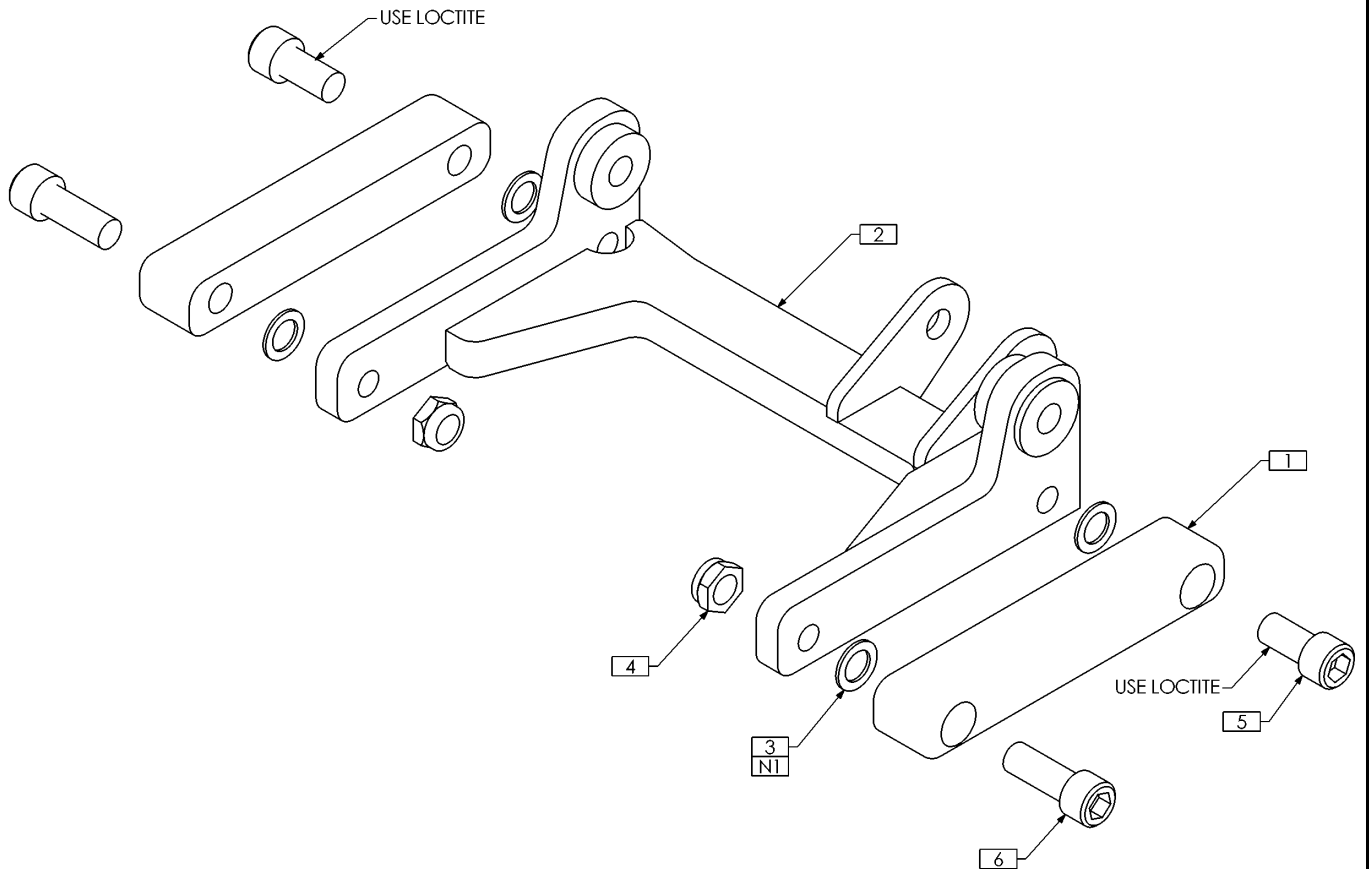
NOTES:

1. N/S = NOT SHOWN
2. SEE BASE WLD REFERENCE TABLE
3. WHERE APPLICABLE, USE ITEM 5B - TRH0401

ITEM NO.	QTY.	PART NO.	DESCRIPTION
1A	1	TRX1907	BASE WLD
1B N/S	1	TRX2291	BASE WLD, SHORT TAB
2	2	TRX2383	SLIDE RAIL, 3/4"
3	10	TRH0120	17/64" FLAT WASHER
4	10	TRH0202	1/4-20 SHALLOW NYLOC NUT
5A	10	TRH0335	1/4-20 x 1" SOCKET HEAD CAP SCREW GR8
5B N/S	10	TRH0401	1/4-20 x 3/4" SOCKET HEAD CAP SCREW GR8

TRC0414 - SLIDER ASS'Y, LOW-PRO

REV ID - E18-0079

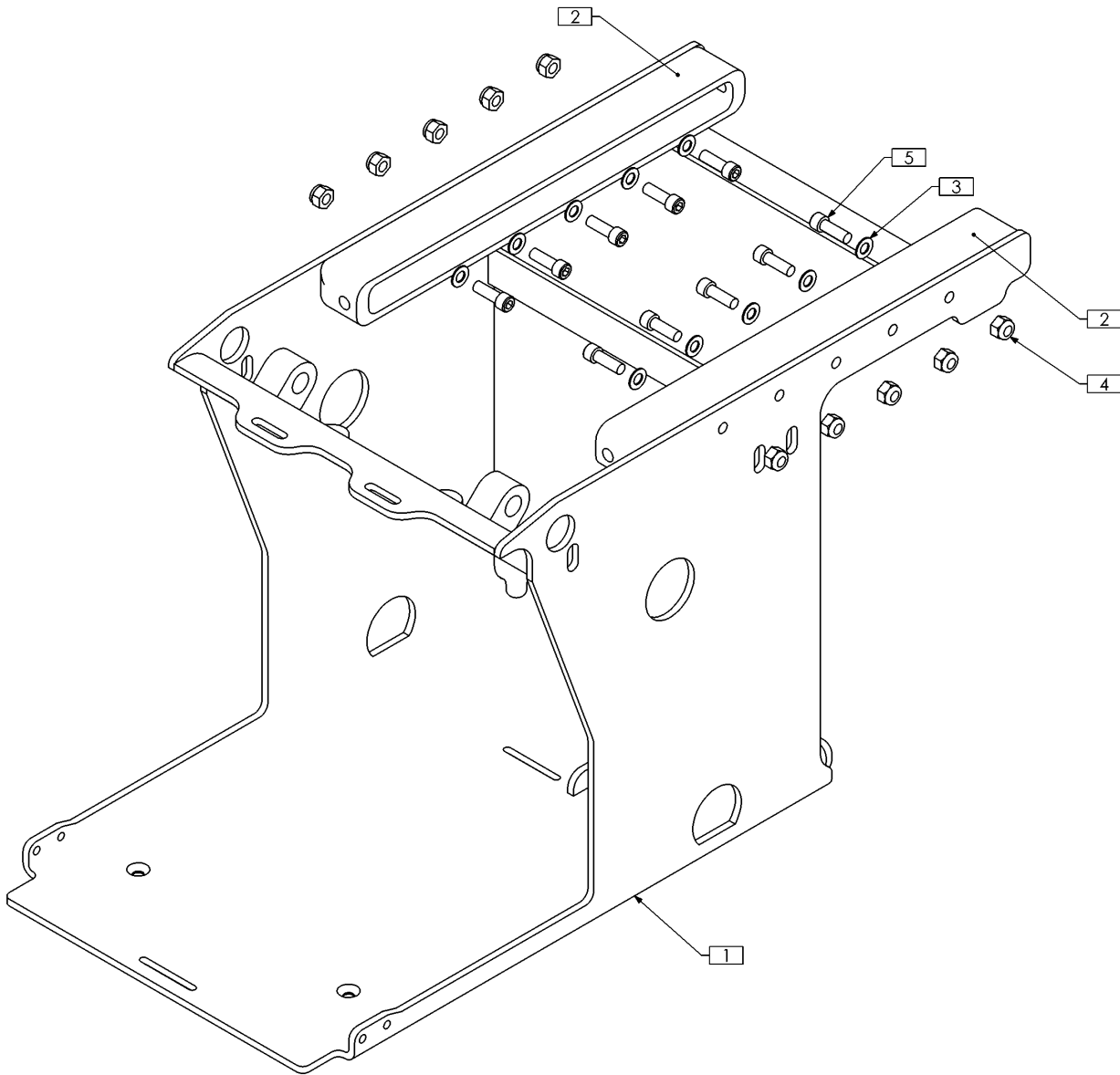


NOTES:

1. USE AS REQUIRED TO ADJUST FIT IN SUB FRAME ASS'Y (TRC0415). SLIDER ASS'Y TO SLIDE FREELY INSIDE SUB FRAME ASS'Y WITH MINIMAL PLAY

ITEM NO.	QTY.	PART NO.	DESCRIPTION
1	2	TRX2271	GLIDE BLOCK, 3/4" EXTENDED
2	1	TRX2396	CARRIAGE ASS'Y
3	4	TRH0119	3/8" x 5/8" OD x 0.042" TH FLAT WASHER
4	2	TRH0239	3/8-24 SHALLOW NYLOC NUT
5	2	TRH0538	3/8-24 x 3/4" SOCKET HEAD CAP SCREW GR8
6	2	TRH0539	3/8-24 x 1" SOCKET HEAD CAP SCREW GR8

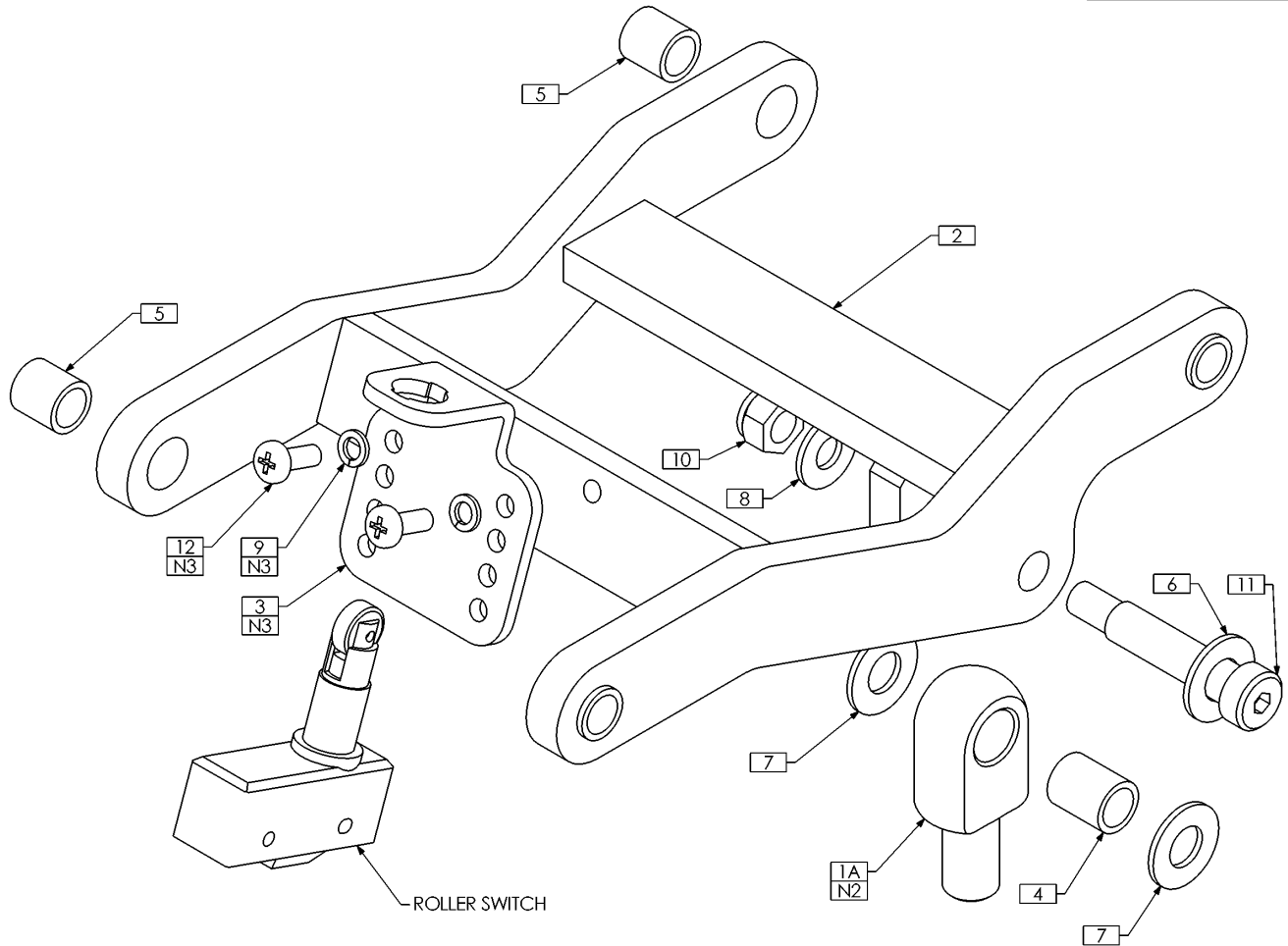
TRC0395 - SUB-FRAME ASS'Y, LOW-PRO, STORM TDX SL CGT



ITEM NO.	QTY.	PART NO.	DESCRIPTION
1	1	TRX2178	BATTERY TRAY WLD
2	2	TRX2383	SLIDE RAIL, 3/4"
3	10	TRH0120	17/64" FLAT WASHER
4	10	TRH0201	1/4-20 NYLOC NUT
5	10	TRH0401	1/4-20 x 3/4" SOCKET HEAD CAP SCREW GR8

TRC0394 - PIVOT FRAME ASS'Y, LOW-PRO, STORM TDX SL CGT

REV ID - E18-0079



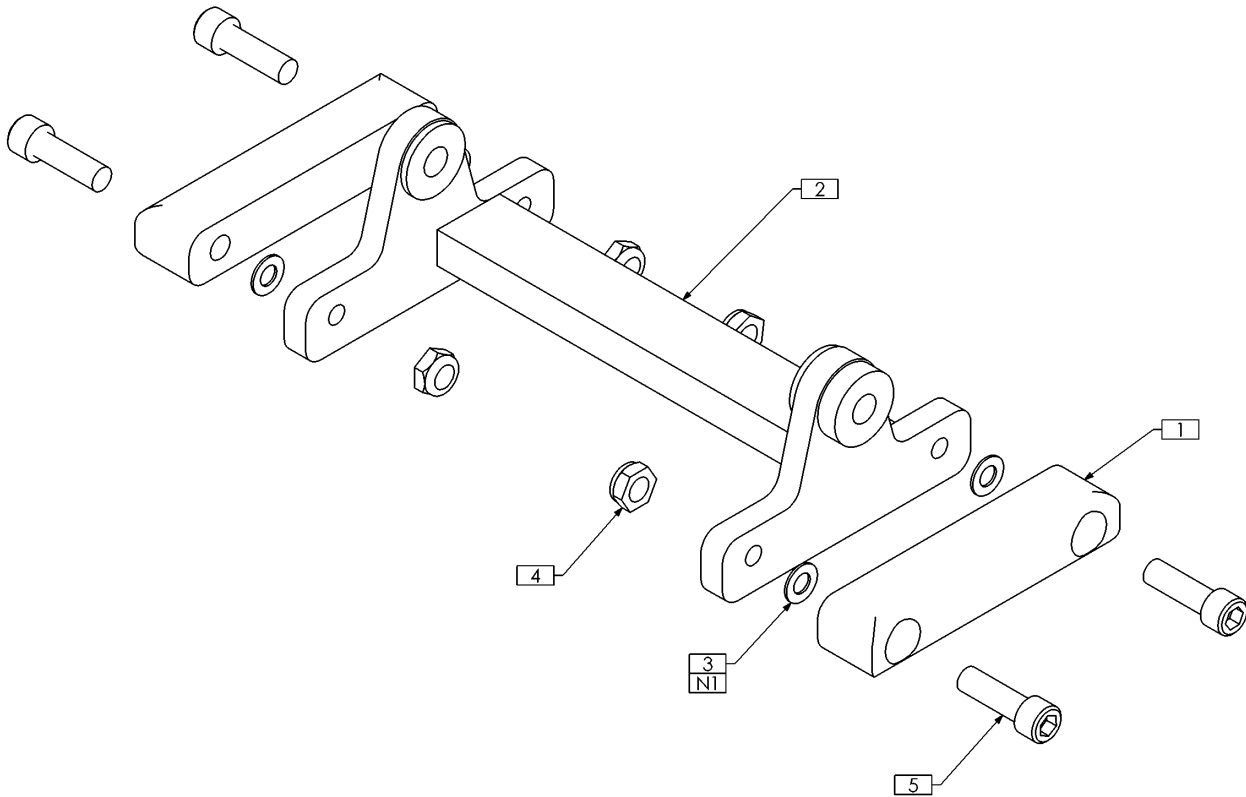
NOTES:

1. N/S = NOT SHOWN
2. USE ITEM 1A FOR 0° TO 2° PRE-TILT. USE ITEM 1B FOR 3° TO 5° PRE-TILT
3. ITEMS 3, 9 AND 12 MUST BE USED WITH ROLLER SWITCH FOR SYSTEMS WITH PRE-TILT SETTINGS OF 5° AND OVER. THEY ARE NOT REQUIRED FOR SYSTEMS WITH UNDER 5° OF PRE-TILT

ITEM NO.	QTY.	PART NO.	DESCRIPTION
1A	1	TRX1148-225	ROD END
1B N/S	1	TRX1148-250	ROD END
2	1	TRX2188	H-FRAME WLD
3	1	TRX2697	SWITCH MOUNT BRACKET
4	1	TRH0005	3/8"ID x 1/2"OD x 5/8" BRONZE BUSHING
5	4	TRH0037	3/8"ID x 1/2"OD x 1/2" BRONZE BUSHING
6	1	TRH0104	3/8" FLAT WASHER
7	2	TRH0105	3/8" NYLON WASHER
8	1	TRH0107	5/16" FLAT WASHER
9	2	TRH0134	#10 LOCKWASHER
10	1	TRH0206	5/16-18 NYLOC NUT
11	1	TRH0413	3/8 x 1 1/2" SOCKET HEAD SHOULDER BOLT
12	2	TRH0464	#10-32 x 1/2" PAN PHILLIPS MACHINE SCREW

TRC0393 - SLIDER ASS'Y, LOW-PRO, STORM TDX SL CGT

REV ID - E18-0079



NOTES:

1. USE AS REQUIRED TO ADJUST FIT IN SUB FRAME ASS'Y (TRC0395). SLIDER ASS'Y TO SLIDE FREELY INSIDE SUB FRAME ASS'Y WITH MINIMAL PLAY

ITEM NO.	QTY.	PART NO.	DESCRIPTION
1	2	TRX0422	GLIDE BLOCK
2	1	TRX2494	CARRIAGE ASS'Y
3	4	TRH0120	17/64" FLAT WASHER
4	4	TRH0207	5/16-18 SHALLOW NYLOC NUT
5	4	TRH0317	5/16-18 x 1" SOCKET HEAD CAP SCREW GR8