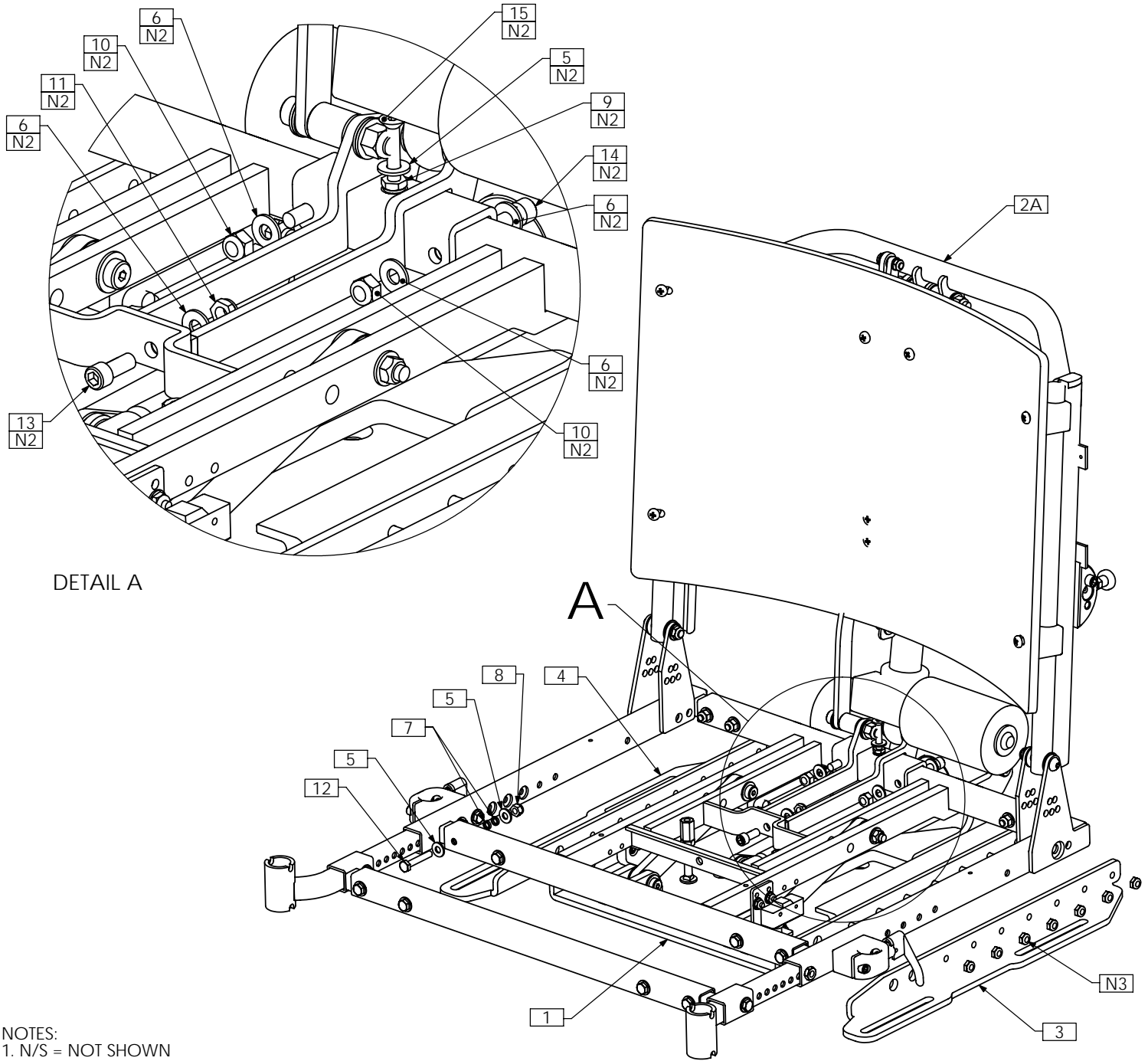


TRC0619 - MAIN ASS'Y, J1170, J1420, J1470, ULTRA LOW CGT, BARIATRIC



DETAIL A

- NOTES:
 1. N/S = NOT SHOWN
 2. USED ONLY FOR SYSTEMS WITH RECLINE
 3. PARTS SHOWN FROM TRC0561
 4. SEAT PAN NOT SHOWN

ITEM NO.	QTY.	PART NO.	DESCRIPTION	ITEM NO.	QTY.	PART NO.	DESCRIPTION
1	1	TRC0562	POSITIONING SYSTEM, 7" SHIFT	8	8	TRH0201	¼-20 NYLOC NUT
2A	1	TRC0593	UPPER SEAT ASS'Y, RECLINE AND ESR	9	1	TRH0202	¼-20 SHALLOW NYLOC NUT
2B N/S	1	TRC0454	UPPER SEAT ASS'Y, TILT-ONLY	10	2	TRH0206	5/16-18 NYLOC NUT
2C N/S	1	TRC0592	UPPER SEAT ASS'Y, RECLINE	11	1	TRH0207	5/16-18 SHALLOW NYLOC NUT
3	1	TRX3707	MOUNTING BRKT, LEFT	12	8	TRH0301	¼-20 x 1½" HEX HEAD CAP SCREW
4	1	TRX3708	MOUNTING BRKT, RIGHT	13	1	TRH0323	5/16-18 x ¾" SOCKET HEAD CAP SCREW GR8
5	17	TRH0101	¼" FLAT WASHER	14	2	TRH0358	5/16-18 x 2" SOCKET HEAD CAP SCREW GR8
6	5	TRH0107	5/16" FLAT WASHER	15	1	TRH0377	¼-20 x 1½" FLAT SOCKET CAP SCREW
7	16	TRH0113	¼" HI COLLAR LOCK WASHER				