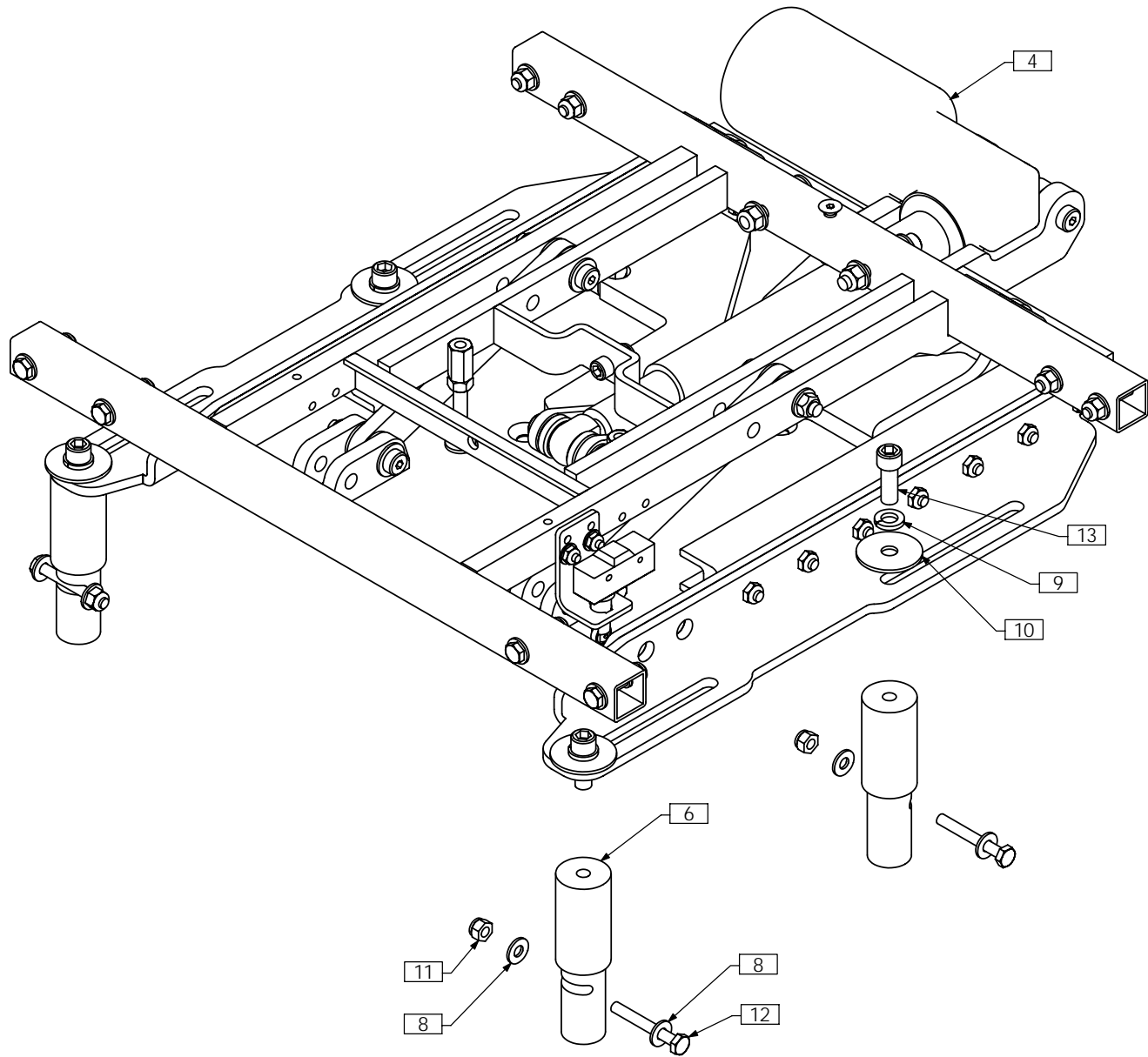


TRI139 - INSTALLATION OVERVIEW, J1170, J1420, J1470, ULTRA LOW CGT, BARIATRIC



NOTES:

- 1. N/S = NOT SHOWN
- 2. UPPER PORTION OF SEAT NOT SHOWN
- 3. REFER TO SPECIFIC WORK ORDER FOR MOUNTING LOCATION AND/OR APPLICATION

ITEM NO.	QTY.	PART NO.	DESCRIPTION	ITEM NO.	QTY.	PART NO.	DESCRIPTION
1A N/S	1	TRC0458	TILT ARM REST ASS'Y, RIGHT	6	4	TRX2739	SUPPORT PIN
1B N/S	1	TRC0460	RECLINE ARM REST ASS'Y, RIGHT	7 N/S	1	TRM0474	WARNING LABEL
2A N/S	1	TRC0459	TILT ARM REST ASS'Y, LEFT	8	8	TRH0101	¼" FLAT WASHER
2B N/S	1	TRC0461	RECLINE ARM REST ASS'Y, LEFT	9	4	TRH0122	3/8" LOCK WASHER
3 N/S	1	TRB0303	HEADREST ASS'Y	10	4	TRH0130	3/8" FENDER WASHER
4	1	TRC0619	MAIN ASS'Y	11	4	TRH0201	¼-20 NYLOC NUT
5A N/S	1	TRC0575	ARMREST CONTROL MOUNTING ASS'Y, PUSH BUTTON	12	4	TRH0305	¼-20 x 2" HEX HEAD CAP SCREW
5B N/S	1	TRC0576	ARMREST CONTROL MOUNTING ASS'Y, TOGGLE SWITCH	13	4	TRH0360	3/8-16 x 1" SOCKET HEAD CAP SCREW GR8