



**MATRX SEATING SERIES**  
**Effective February 2006**



**MaTRx PB Elite Back**

Back includes outer cover and hardware to fit both 7/8" or 1" diameter back canes (3/4" inserts are available upon request). Contour Depth 3" Weight Capacity up to 300lbs

Model #	Model #	Fits Wheelchair	
Back	Extra Outer Cover*	Width	Height
HCPCS code pending	HCPCS code pending		
PBE1212	PBEC1212	12"-13"	12"
PBE1312	PBEC1312	12"-14"	12"
PBE1412	PBEC1412	13"-15"	12"
PBE1416	PBEC1416	13"-15"	16"
PBE1512	PBEC1512	14"-16"	12"
PBE1516	PBEC1516	14"-16"	16"
PBE1612	PBEC1612	15"-17"	12"
PBE1616	PBEC1616	15"-17"	16"
PBE1620	PBEC1620	15"-17"	20"
PBE1712	PBEC1712	16"-18"	12"
PBE1716	PBEC1716	16"-18"	16"
PBE1720	PBEC1720	16"-18"	20"
PBE1812	PBEC1812	17"-19"	12"
PBE1816	PBEC1816	17"-19"	16"
PBE1820	PBEC1820	17"-19"	20"
PBE1912	PBEC1912	18"-20"	12"
PBE1916	PBEC1916	18"-20"	16"
PBE1920	PBEC1920	18"-20"	20"
PBE2012	PBEC2012	19",20"	12"
PBE2016	PBEC2016	19",20"	16"
PBE2020	PBEC2020	19",20"	20"

\* Includes foam



**MATRX SEATING SERIES**  
**Effective February 2006**



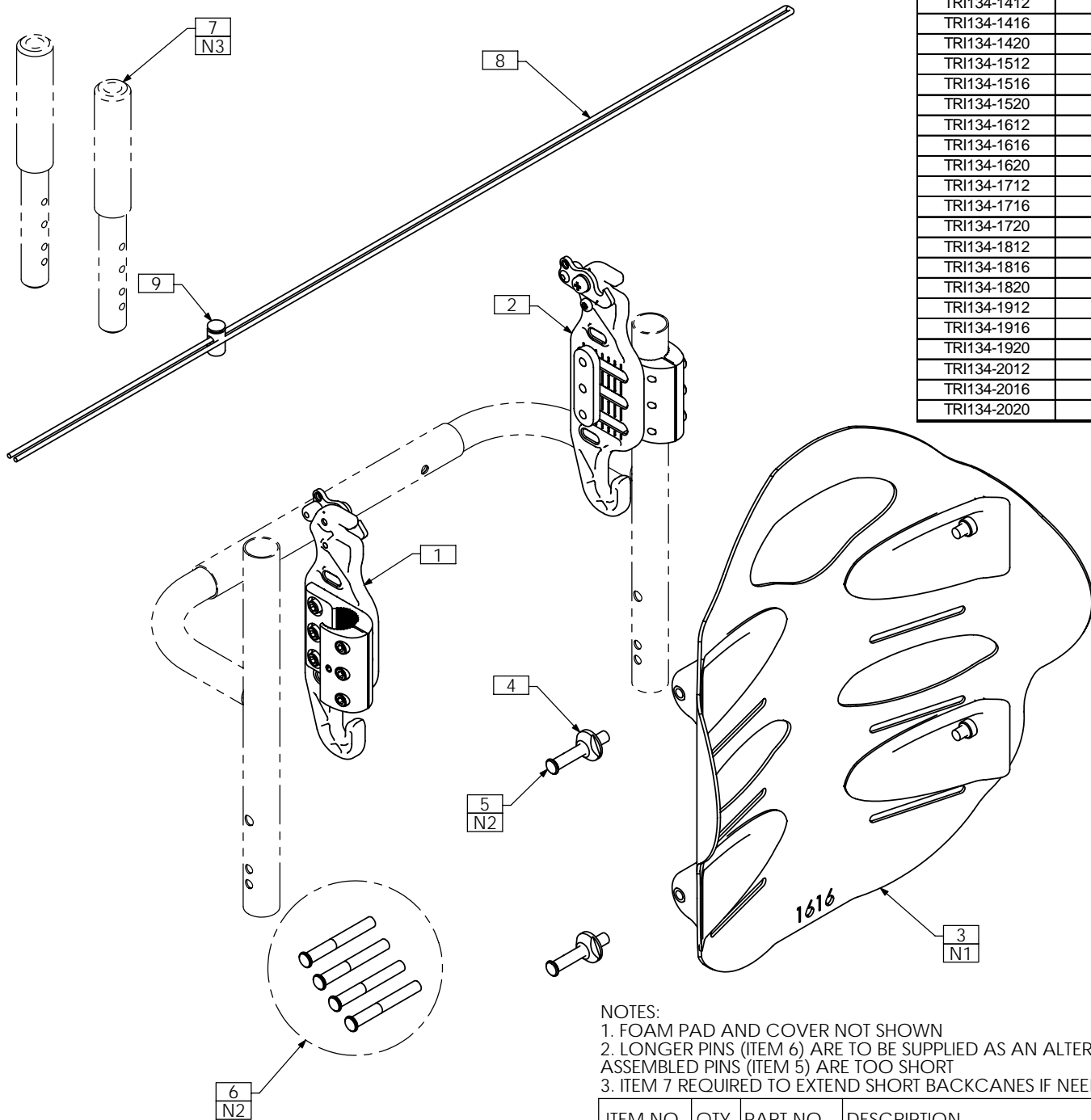
**MaTRx PB Elite Back with Laterals**

Back includes outer cover and hardware to fit both 7/8" or 1" diameter back canes (3/4" inserts available upon request) and is drilled for head support attachment. Contour Depth 5". Includes formable, width adjustable lateral supports - 4" high x 8" long. Weight Capacity up to 300 lbs.

Model #	Model #	Fits Wheelchair	
Back	Extra Outer Cover*	Width	Height
HCPCS code pending	HCPCS code pending		
PBE1212-LS	PBEC1212	12"-13"	12"
PBE1312-LS	PBEC1312	12"-14"	12"
PBE1412-LS	PBEC1412	13"-15"	12"
PBE1416-LS	PBEC1416	13"-15"	16"
PBE1512-LS	PBEC1512	14"-16"	12"
PBE1516-LS	PBEC1516	14"-16"	16"
PBE1612-LS	PBEC1612	15"-17"	12"
PBE1616-LS	PBEC1616	15"-17"	16"
PBE1620-LS	PBEC1620	15"-17"	20"
PBE1712-LS	PBEC1712	16"-18"	12"
PBE1716-LS	PBEC1716	16"-18"	16"
PBE1720-LS	PBEC1720	16"-18"	20"
PBE1812-LS	PBEC1812	17"-19"	12"
PBE1816-LS	PBEC1816	17"-19"	16"
PBE1820-LS	PBEC1820	17"-19"	20"
PBE1912-LS	PBEC1912	18"-20"	12"
PBE1916-LS	PBEC1916	18"-20"	16"
PBE1920-LS	PBEC1920	18"-20"	20"
PBE2012-LS	PBEC2012	19",20"	12"
PBE2016-LS	PBEC2016	19",20"	16"
PBE2020-LS	PBEC2020	19",20"	20"

\* Includes foam

# TRI134 - INSTALLATION OVERVIEW, ELITE POSTURE BACK ASS'Y, TILT-ONLY



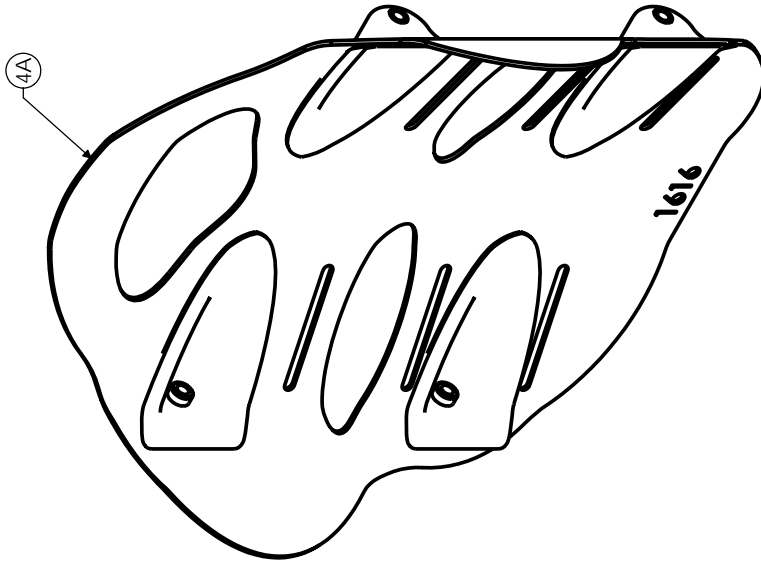
PART NUMBER	SIZE CONFIGURATION
TRI134-1212	12W X 12H
TRI134-1216	12W X 16H
TRI134-1312	13W X 12H
TRI134-1316	13W X 16H
TRI134-1412	14W X 12H
TRI134-1416	14W X 16H
TRI134-1420	14W X 20H
TRI134-1512	15W X 12H
TRI134-1516	15W X 16H
TRI134-1520	15W X 20H
TRI134-1612	16W X 12H
TRI134-1616	16W X 16H
TRI134-1620	16W X 20H
TRI134-1712	17W X 12H
TRI134-1716	17W X 16H
TRI134-1720	17W X 20H
TRI134-1812	18W X 12H
TRI134-1816	18W X 16H
TRI134-1820	18W X 20H
TRI134-1912	19W X 12H
TRI134-1916	19W X 16H
TRI134-1920	19W X 20H
TRI134-2012	20W X 12H
TRI134-2016	20W X 16H
TRI134-2020	20W X 20H

**NOTES:**

1. FOAM PAD AND COVER NOT SHOWN
2. LONGER PINS (ITEM 6) ARE TO BE SUPPLIED AS AN ALTERNATIVE IN CASE ASSEMBLED PINS (ITEM 5) ARE TOO SHORT
3. ITEM 7 REQUIRED TO EXTEND SHORT BACKCANES IF NEEDED

ITEM NO.	QTY.	PART NO.	DESCRIPTION
1	1	TRC0423	EASY SET MOUNTING ASS'Y, RIGHT, TILT-ONLY
2	1	TRC0424	EASY SET MOUNTING ASS'Y, LEFT, TILT-ONLY
3	1	TRS0062	ELITE POSTURE BACK CUSHION ASS'Y
4	4	TRX2390	MOUNTING PIN FLANGE NUT
5	4	TRX2829	MOUNTING PIN, SHORT
6	4	TRX2389	MOUNTING PIN
7	2	TRX2810	BACK CANE EXTENSION TUBE
8	1	TRM0549	#4 BLACK NYLON CORD, 5ft LENGTH
9	1	TRM0550	5/32 OVAL CORD LOCK

SPECIFICATIONS: AS AN ASSEMBLY, CUSHION MUST MEET MINIMUM REQUIREMENTS OF THE CALIFORNIA TECHNICAL BULLETIN #117



③



①



②



ITEM	QTY	PART NO.	DESCRIPTION
1	1	TRS0060	ELITE POSTURE BACK COVER, MESHTEX, VC-1297
2	1	TRS0061	ELITE POSTURE BACK FOAMPAD
3	1	TRS0070	LUMBAR FOAM INSERT
4A	1	TRX3604	ELITE BACK PAN WLD, 16W x 16H
4B N/S	1	TRX3603	ELITE BACK PAN WLD, 16W x 12H
4C N/S	1	TRX3605	ELITE BACK PAN WLD, 16W x 20H
4D N/S	1	TRX3622	ELITE BACK PAN WLD, 17W x 12H
4E N/S	1	TRX3623	ELITE BACK PAN WLD, 17W x 16H
4F N/S	1	TRX3624	ELITE BACK PAN WLD, 17W x 20H
4G N/S	1	TRX3628	ELITE BACK PAN WLD, 18W x 12H
4H N/S	1	TRX3629	ELITE BACK PAN WLD, 18W x 16H
4J N/S	1	TRX3630	ELITE BACK PAN WLD, 18W x 20H
4K N/S	1	TRX3634	ELITE BACK PAN WLD, 19W x 12H
4L N/S	1	TRX3635	ELITE BACK PAN WLD, 19W x 16H
4M N/S	1	TRX3636	ELITE BACK PAN WLD, 19W x 20H
4N N/S	1	TRX3640	ELITE BACK PAN WLD, 20W x 12H
4P N/S	1	TRX3641	ELITE BACK PAN WLD, 20W x 16H
4Q N/S	1	TRX3642	ELITE BACK PAN WLD, 20W x 20H
4R N/S	1	TRX3646	ELITE BACK PAN WLD, 15W x 12H
4S N/S	1	TRX3647	ELITE BACK PAN WLD, 15W x 16H
4T N/S	1	TRX3648	ELITE BACK PAN WLD, 15W x 20H
4V N/S	1	TRX3652	ELITE BACK PAN WLD, 14W x 12H
4W N/S	1	TRX3653	ELITE BACK PAN WLD, 14W x 16H
4X N/S	1	TRX3654	ELITE BACK PAN WLD, 14W x 20H
4Y N/S	1	TRX3735	ELITE BACK PAN WLD, 13W x 12H
4Z N/S	1	TRX3736	ELITE BACK PAN WLD, 13W x 16H
4AA N/S	1	TRX3731	ELITE BACK PAN WLD, 12W x 12H
4BB N/S	1	TRX3732	ELITE BACK PAN WLD, 12W x 16H
5 N/S	5ft	TRM0568	RUNNER EDGE TRIM, SMALL PROFILE
6 N/S	1	TRM0577	ELITE RAISED DECAL

PART NUMBER	SIZE CONFIGURATION	LUMBAR PAD
TRS0062-1212	12 X 12	TRS0070-040
TRS0062-1216	12 X 16	TRS0070-040
TRS0062-1312	13 X 12	TRS0070-050
TRS0062-1316	13 X 16	TRS0070-050
TRS0062-1412	14 X 12	TRS0070-060
TRS0062-1416	14 X 16	TRS0070-060
TRS0062-1420	14 X 20	TRS0070-060
TRS0062-1512	15 X 12	TRS0070-070
TRS0062-1516	15 X 16	TRS0070-070
TRS0062-1520	15 X 20	TRS0070-070
TRS0062-1612	16 X 12	TRS0070-080
TRS0062-1616	16 X 16	TRS0070-080
TRS0062-1620	16 X 20	TRS0070-080
TRS0062-1712	17 X 12	TRS0070-090
TRS0062-1716	17 X 16	TRS0070-090
TRS0062-1720	17 X 20	TRS0070-090
TRS0062-1812	18 X 12	TRS0070-100
TRS0062-1816	18 X 16	TRS0070-100
TRS0062-1820	18 X 20	TRS0070-100
TRS0062-1912	19 X 12	TRS0070-110
TRS0062-1916	19 X 16	TRS0070-110
TRS0062-1920	19 X 20	TRS0070-110
TRS0062-2012	20 X 12	TRS0070-120
TRS0062-2016	20 X 16	TRS0070-120
TRS0062-2020	20 X 20	TRS0070-120



TORONTO, ONTARIO, CANADA

SCALE: NTS

DIMENSIONS IN: INCHES

TOLERANCE (UNLESS OTHERWISE SPECIFIED)

X ±.03 .XX ±.015 .XXX ±.005 ANGLES ±0.5°

DRAWN BY: DC

DATE: JANUARY 25, 2006

DESCRIPTION: ELITE POSTURE BACK CUSHION ASSY

APPROVED BY:

DC 02/17/06

REV. BY

DATE

1 ADD 12", 13" SIZES. ADD LUMBAR FOAM

DESCRIPTION

REV

REV

DWG NUMBER: TRS0062

1



**MATRX SEATING SERIES**  
Effective February 2006



**MaTRx-PB Posture Back**

Back includes outer cover and hardware to fit both 7/8" or 1" diameter back canes (3/4" inserts available upon request). 16" and 20" back heights are complete with reinforcement plate for head support. Contour depth is 5". Weight Capacity up to 300lbs

Model #	Model #	Fits Wheelchair	
Back	Extra Outer Cover	Width	Height
HCPCS code E2615	HCPCS code E2619		
MPB1412	PBC1412	13"-15"	12"
MPB1416	PBC1416	13"-15"	16"
MPB1612	PBC1612	15"-17"	12"
MPB1616	PBC1616	15"-17"	16"
MPB1620	PBC1620	15"-17"	20"
MPB1812	PBC1812	17"-19"	12"
MPB1816	PBC1816	17"-19"	16"
MPB1820	PBC1820	17"-19"	20"
MPB2012	PBC2012	19",20"	12"
MPB2016	PBC2016	19",20"	16"
MPB2020	PBC2020	19",20"	20"

**MaTRx PB Heavy Duty Posture Back**

Back includes outer over and hardware to fit both 7/8" or 1" diameter back canes (3/4" inserts available upon request) and is drilled for head support attachment. Contour depth 5". Weight Capacity up to 500 lbs.

Model #	Model #	Fits Wheelchair	
Back	Extra Outer Cover	Width	Height
HCPCS code E2615	HCPCS code E2619		
HDB2016	HDC2016	20",21"	16"
HDB2020	HDC2020	20",21"	20"
HCPCS code E2616	HCPCS code E2619		
HDB2216	HDC2216	22",23"	16"
HDB2220	HDC2220	22",23"	20"
HDB2416	HDC2416	24",25"	16"
HDB2420	HDC2420	24",25"	20"



**MATRIX SEATING SERIES**  
Effective February 2006



**Matrix PB Deep Posture Back**

Back includes outer over and hardware to fit both 7/8" or 1" diameter back canes (3/4" inserts available upon request) and is drilled for head support attachment. Contour depth 7". Weight Capacity up to 300 lbs

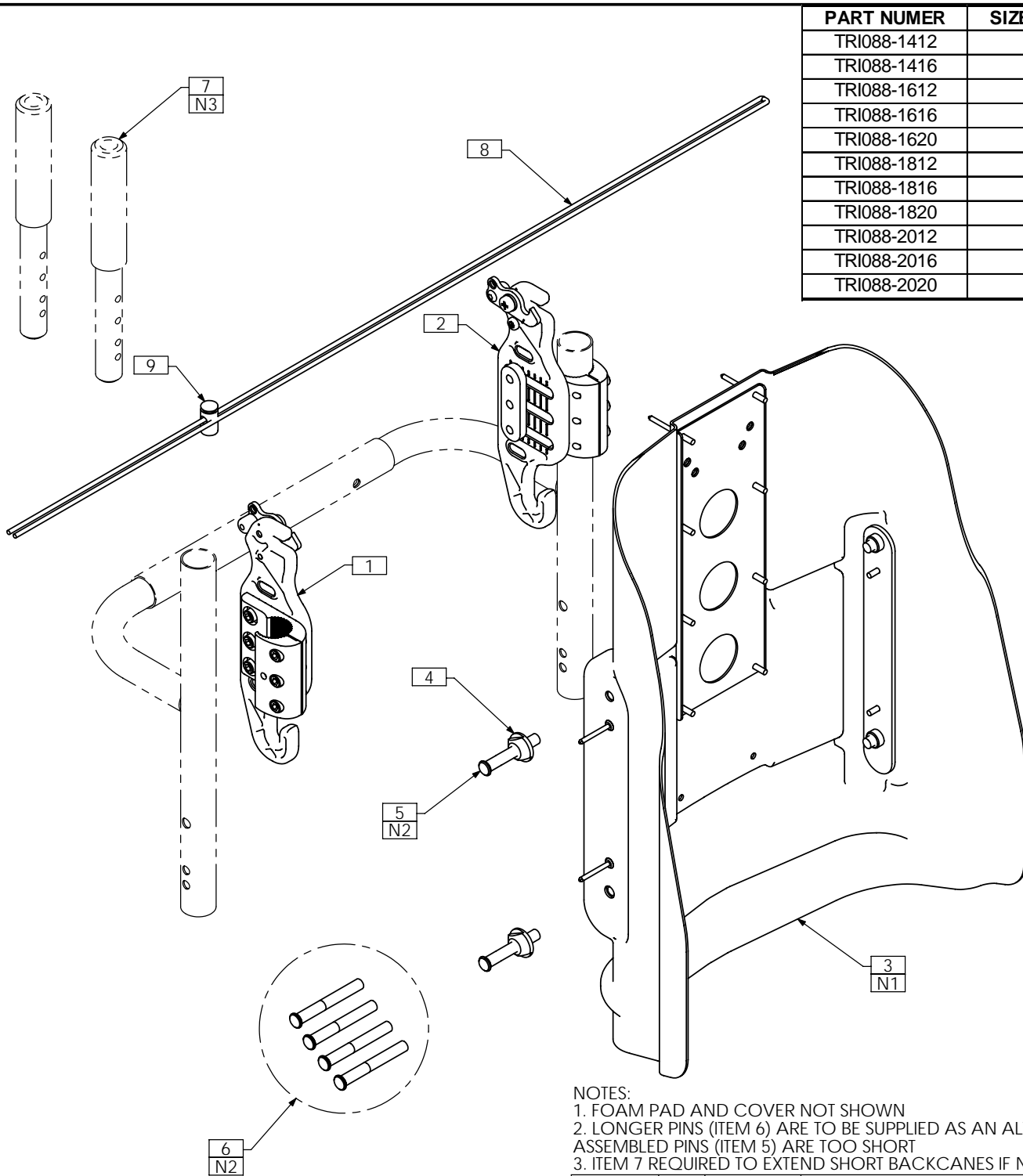
Model #	Model #	Fits Wheelchair	
Back	Extra Outer Cover	Width	Height
HCPCS code E2615	HCPCS code E2619		
PBD1412	DMC1412	13"-15"	12"
PBD1416	DMC1416	13"-15"	16"
PBD1612	DMC1612	15"-17"	12"
PBD1616	DMC1616	15"-17"	16"
PBD1620	DMC1620	15"-17"	20"
PBD1812	DMC1812	17"-19"	12"
PBD1816	DMC1816	17"-19"	16"
PBD1820	DMC1820	17"-19"	20"
PBD2012	DMC2012	19,"20"	12"
PBD2016	DMC2016	19,"20"	16"
PBD2020	DMC2020	19,"20"	20"

**MaTRX PB Deep HD Posture Back**

Back includes outer over and hardware to fit both 7/8" or 1" diameter back canes (3/4" inserts available upon request) and is drilled for head support attachment. Contour depth 7". Weight Capacity up to 500 lbs

Model #	Model #	Fits Wheelchair	
Back	Extra Outer Cover	Width	Height
HCPCS code E2615	HCPCS code E2619		
DHD2016	DDC2016	20",21"	16"
DHD2020	DDC2020	20",21"	20"
HCPCS code E2616	HCPCS code E2619		
DHD2216	DDC2216	22",23"	16"
DHD2220	DDC2220	22",23"	20"
DHD2416	DDC2416	24",25"	16"
DHD2420	DDC2420	24",25"	20"

# TRI088 - INSTALLATION OVERVIEW, POSTURE BACK ASS'Y, TILT-ONLY



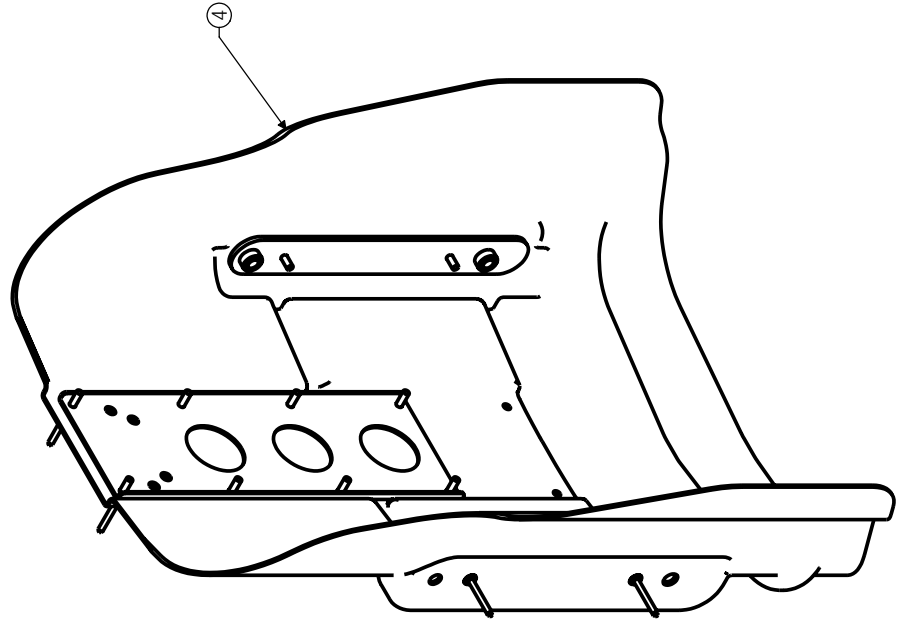
PART NUMBER	SIZE CONFIGURATION
TRI088-1412	14W X 12H
TRI088-1416	14W X 16H
TRI088-1612	16W X 12H
TRI088-1616	16W X 16H
TRI088-1620	16W X 20H
TRI088-1812	18W X 12H
TRI088-1816	18W X 16H
TRI088-1820	18W X 20H
TRI088-2012	20W X 12H
TRI088-2016	20W X 16H
TRI088-2020	20W X 20H

**NOTES:**

1. FOAM PAD AND COVER NOT SHOWN
2. LONGER PINS (ITEM 6) ARE TO BE SUPPLIED AS AN ALTERNATIVE IN CASE ASSEMBLED PINS (ITEM 5) ARE TOO SHORT
3. ITEM 7 REQUIRED TO EXTEND SHORT BACKCANS IF NEEDED

ITEM NO.	QTY.	PART NO.	DESCRIPTION
1	1	TRC0423	EASY SET MOUNTING ASS'Y, RIGHT, TILT-ONLY
2	1	TRC0424	EASY SET MOUNTING ASS'Y, LEFT, TILT-ONLY
3	1	TRS0017	POSTURE BACK CUSHION ASS'Y
4	4	TRX2390	MOUNTING PIN FLANGE NUT
5	4	TRX2829	MOUNTING PIN, SHORT
6	4	TRX2389	MOUNTING PIN
7	2	TRX2810	BACK CANE EXTENSION TUBE
8	1	TRM0549	#4 BLACK NYLON CORD, 5ft LENGTH
9	1	TRM0550	5/32 OVAL CORD LOCK

ITEM	QTY	PART NO.	DESCRIPTION
1	1	TRS0001	POSTURE BACK FOAM PAD
2	1	TRS0052	POSTURE BACK COVER, MESHTEX
3	1	TRS0070	LUMBAR FOAM INSERT
4	1	TRC0448	POSTURE BACK PAN ASSY



SPECIFICATIONS: AS AN ASSEMBLY, CUSHION MUST MEET MINIMUM REQUIREMENTS OF THE CALIFORNIA TECHNICAL BULLETIN #117

PART NUMBER	SIZE CONFIGURATION	LUMBAR PAD
TRS0017-1412	14 X 12	TRS0070-080
TRS0017-1416	14 X 16	TRS0070-080
TRS0017-1612	16 X 12	TRS0070-105
TRS0017-1616	16 X 16	TRS0070-105
TRS0017-1620	16 X 20	TRS0070-105
TRS0017-1812	18 X 12	TRS0070-125
TRS0017-1816	18 X 16	TRS0070-125
TRS0017-1820	18 X 20	TRS0070-125
TRS0017-2012	20 X 12	TRS0070-145
TRS0017-2016	20 X 16	TRS0070-145
TRS0017-2020	20 X 20	TRS0070-145

③



①



②



TORONTO, ONTARIO, CANADA

SCALE: NTS

DIMENSIONS IN: INCHES

TOLERANCE (UNLESS OTHERWISE SPECIFIED)

.X ±.03 .XX ±.015 .XXX ±.005 ANGLES ±0.5°

DRAWN BY: DC

DATE: JULY 21, 2004

DESCRIPTION: POSTURE BACK CUSHION ASS'Y

APPROVED BY:

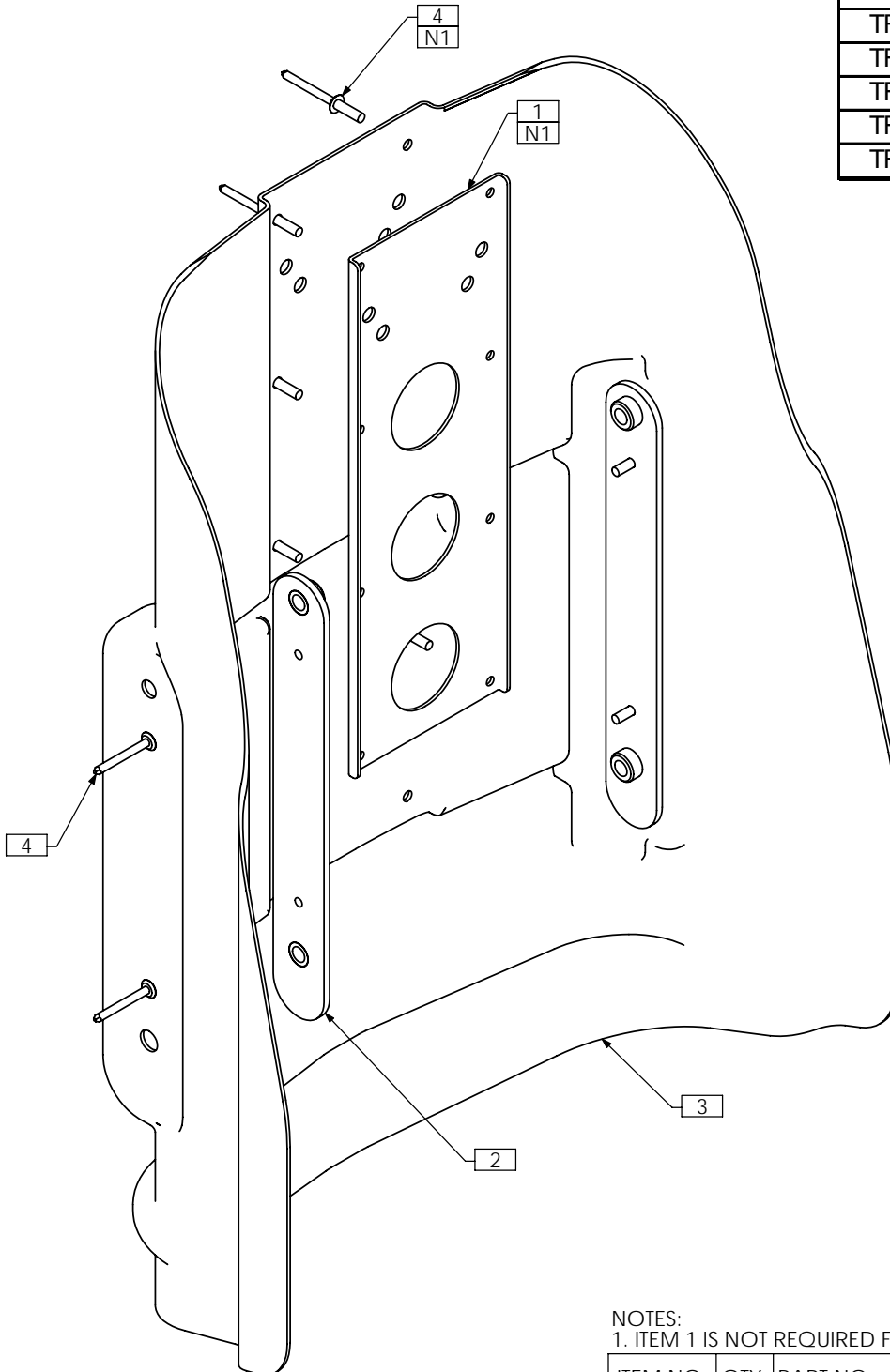
DWG NUMBER: TRS0017

REV 3

REV	DESCRIPTION	REV. BY	DATE
3	ADD LUMBAR FOAM	DC	02/17/06
2	NEW COVER MATERIAL, 1" FOAM THICKNESS	DC	09/07/05
1	ADD 14" WIDE SIZES	DC	04/28/05

# TRC0448 - POSTURE BACK PAN ASS'Y

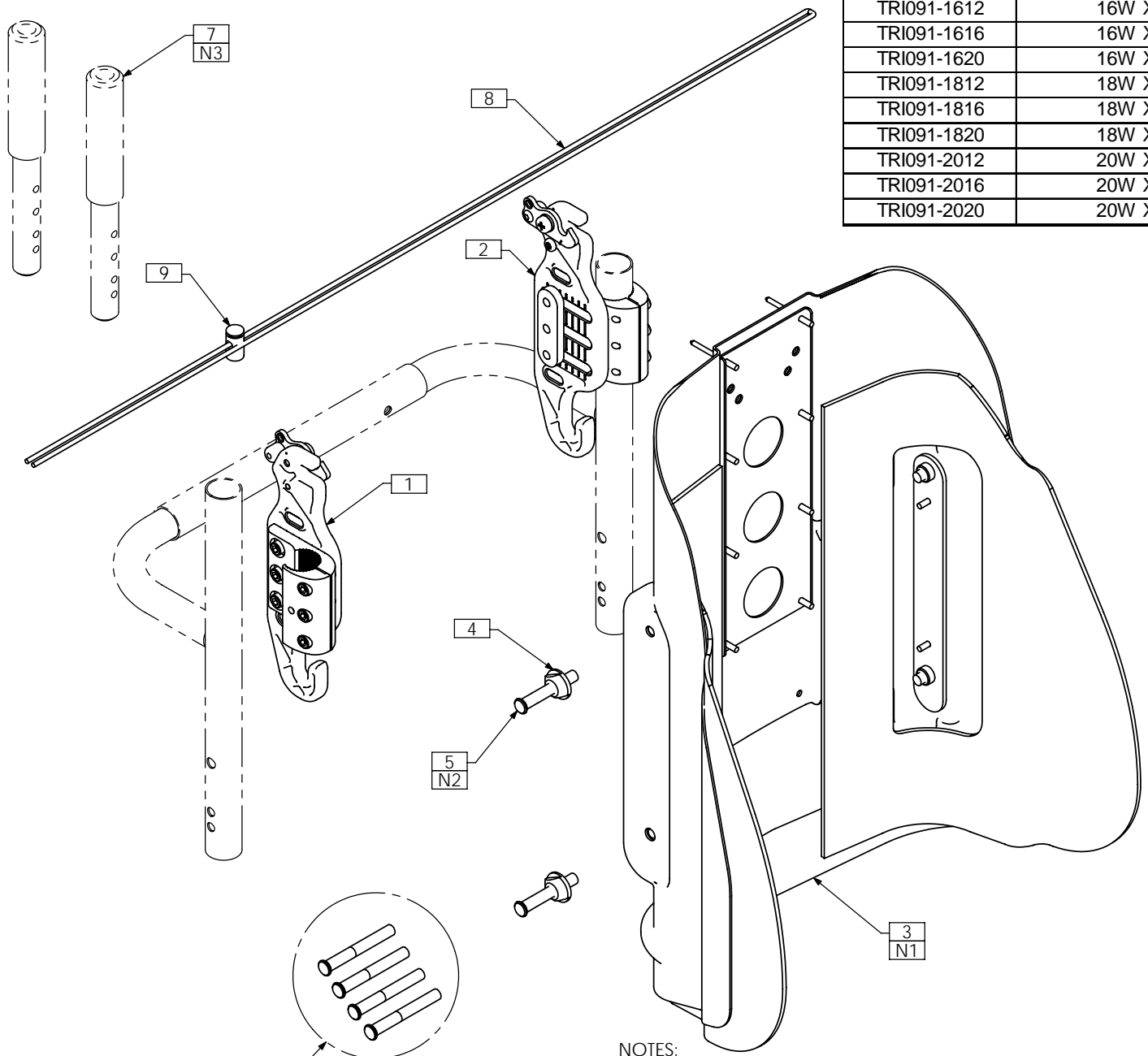
PART NUMER	SIZE CONFIGURATION
TRC0448-1412	14W X 12H
TRC0448-1416	14W X 16H
TRC0448-1612	16W X 12H
TRC0448-1616	16W X 16H
TRC0448-1620	16W X 20H
TRC0448-1812	18W X 12H
TRC0448-1816	18W X 16H
TRC0448-1820	18W X 20H
TRC0448-2012	20W X 12H
TRC0448-2016	20W X 16H
TRC0448-2020	20W X 20H



NOTES:  
1. ITEM 1 IS NOT REQUIRED FOR 12" HIGH BACKS

ITEM NO.	QTY.	PART NO.	DESCRIPTION
1	1	TRX2486	HEADREST PLATE
2	2	TRX2691	BACKING PLATE ASS'Y
3	1	TRM0480	POSTURE BACK SHELL
4	12	TRH0069	No. 56 RIVET

# TRI091 - INSTALLATION OVERVIEW, POSTURE BACK ASS'Y, DEEP, TILT-ONLY



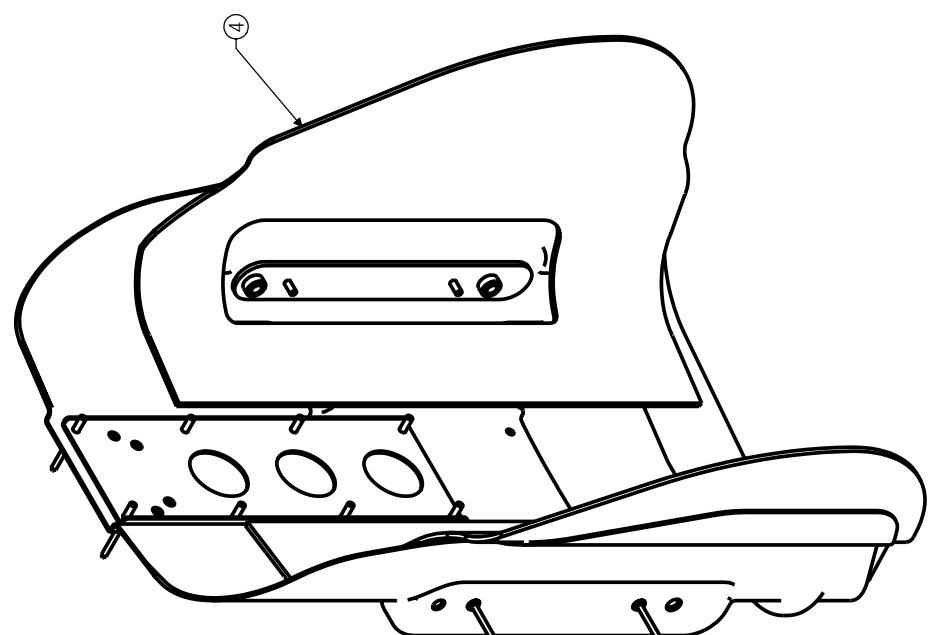
PART NUMBER	SIZE CONFIGURATION
TRI091-1412	14W X 12H
TRI091-1416	14W X 16H
TRI091-1612	16W X 12H
TRI091-1616	16W X 16H
TRI091-1620	16W X 20H
TRI091-1812	18W X 12H
TRI091-1816	18W X 16H
TRI091-1820	18W X 20H
TRI091-2012	20W X 12H
TRI091-2016	20W X 16H
TRI091-2020	20W X 20H

**NOTES:**

1. FOAM PAD AND COVER NOT SHOWN
2. LONGER PINS (ITEM 6) ARE TO BE SUPPLIED AS AN ALTERNATIVE IN CASE ASSEMBLED PINS (ITEM 5) ARE TOO SHORT
3. ITEM 7 REQUIRED TO EXTEND SHORT BACKCANES IF NEEDED

ITEM NO.	QTY.	PART NO.	DESCRIPTION
1	1	TRC0423	EASY SET MOUNTING ASS'Y, RIGHT, TILT-ONLY
2	1	TRC0424	EASY SET MOUNTING ASS'Y, LEFT, TILT-ONLY
3	1	TRS0032	DEEP POSTURE BACK CUSHION ASS'Y
4	4	TRX2390	MOUNTING PIN FLANGE NUT
5	4	TRX2829	MOUNTING PIN, SHORT
6	4	TRX2389	MOUNTING PIN
7	2	TRX2810	BACK CANE EXTENSION TUBE
8	1	TRM0549	#4 BLACK NYLON CORD, 5ft LENGTH
9	1	TRM0550	5/32 OVAL CORD LOCK

ITEM	QTY	PART NO.	DESCRIPTION
1	1	TRS0030	DEEP POSTURE BACK FOAM PAD
2	1	TRS0053	DEEP POSTURE BACK COVER, MESHTEX
3	1	TRS0070	LUMBAR FOAM INSERT
4	1	TRC0474	DEEP POSTURE BACK PAN ASS'Y



③ SPECIFICATIONS: AS AN ASSEMBLY, CUSHION MUST MEET MINIMUM REQUIREMENTS OF THE CALIFORNIA TECHNICAL BULLETIN #117

PART NUMBER	SIZE CONFIGURATION	LUMBAR PAD
TRS0032-1616	16 X 16	TRS0070-105
TRS0032-1620	16 X 20	TRS0070-105
TRS0032-1816	18 X 16	TRS0070-125
TRS0032-1820	18 X 20	TRS0070-125
TRS0032-2016	20 X 16	TRS0070-145
TRS0032-2020	20 X 20	TRS0070-145



①



②



TORONTO, ONTARIO, CANADA

SCALE: NTS

DIMENSIONS IN: INCHES

TOLERANCE (UNLESS OTHERWISE SPECIFIED)  
 .X ±.03 .XX ±.015 .XXX ±.005 ANGLES ±0.5°

DRAWN BY: DC

DATE: OCTOBER 19, 2004

DESCRIPTION: DEEP POSTURE BACK CUSHION ASS'Y

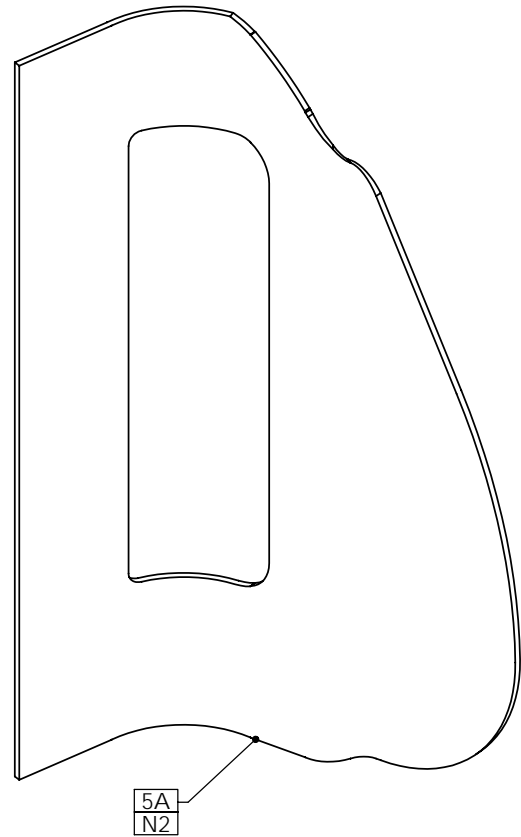
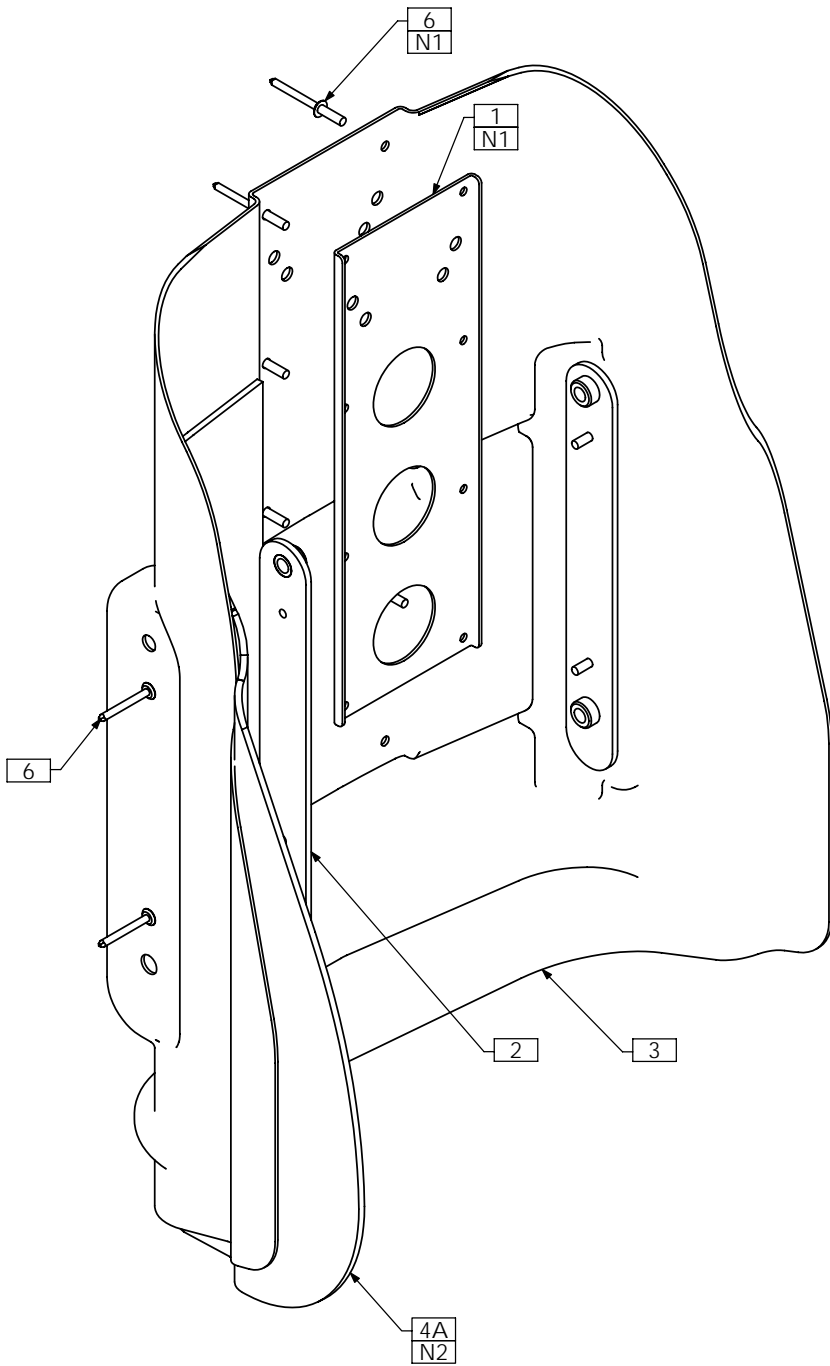
APPROVED BY:

DWG NUMBER: TRS0032

REV 3

REV	DESCRIPTION	REV. BY	DATE
3	ADD LUMBAR FOAM	DC	02/17/06
2	NEW COVER MATERIAL, 1" FOAM THICKNESS	DC	09/07/05
1	UPDATE CONFIGURATION TABLE	DC	04/28/05

# TRC0474 - POSTURE BACK PAN ASS'Y, DEEP

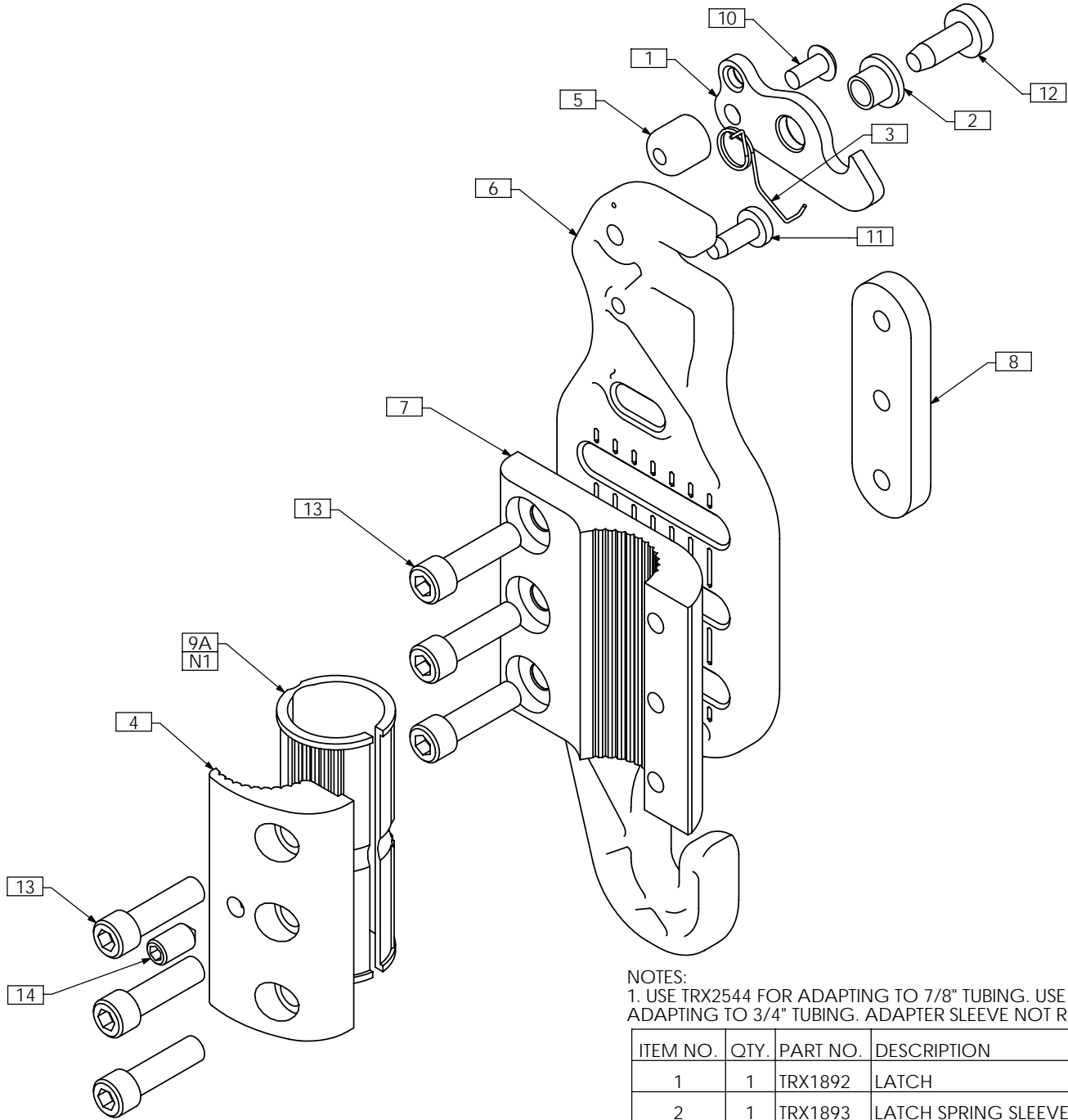


PART NUMBER	SIZE CONFIGURATION
TRC0474-1412	14W X 12H
TRC0474-1416	14W X 16H
TRC0474-1612	16W X 12H
TRC0474-1616	16W X 16H
TRC0474-1620	16W X 20H
TRC0474-1812	18W X 12H
TRC0474-1816	18W X 16H
TRC0474-1820	18W X 20H
TRC0474-2012	20W X 12H
TRC0474-2016	20W X 16H
TRC0474-2020	20W X 20H

NOTES:  
 1. ITEM 1 IS NOT REQUIRED FOR 12" HIGH BACKS  
 2. USE ITEMS 4B AND 5B FOR 12" HIGH BACKS

ITEM NO.	QTY.	PART NO.	DESCRIPTION
1	1	TRX2486	HEADREST PLATE
2	2	TRX2691	BACKING PLATE ASS'Y
3	1	TRM0480	POSTURE BACK SHELL
4A	1	TRM0508	RIGHT SIDE EXTENSION
4B N/S	1	TRM0523	RIGHT SIDE EXTENSION, 12H
5A	1	TRM0509	LEFT SIDE EXTENSION
5B N/S	1	TRM0524	LEFT SIDE EXTENSION, 12H
6	12	TRH0069	No. 56 RIVET

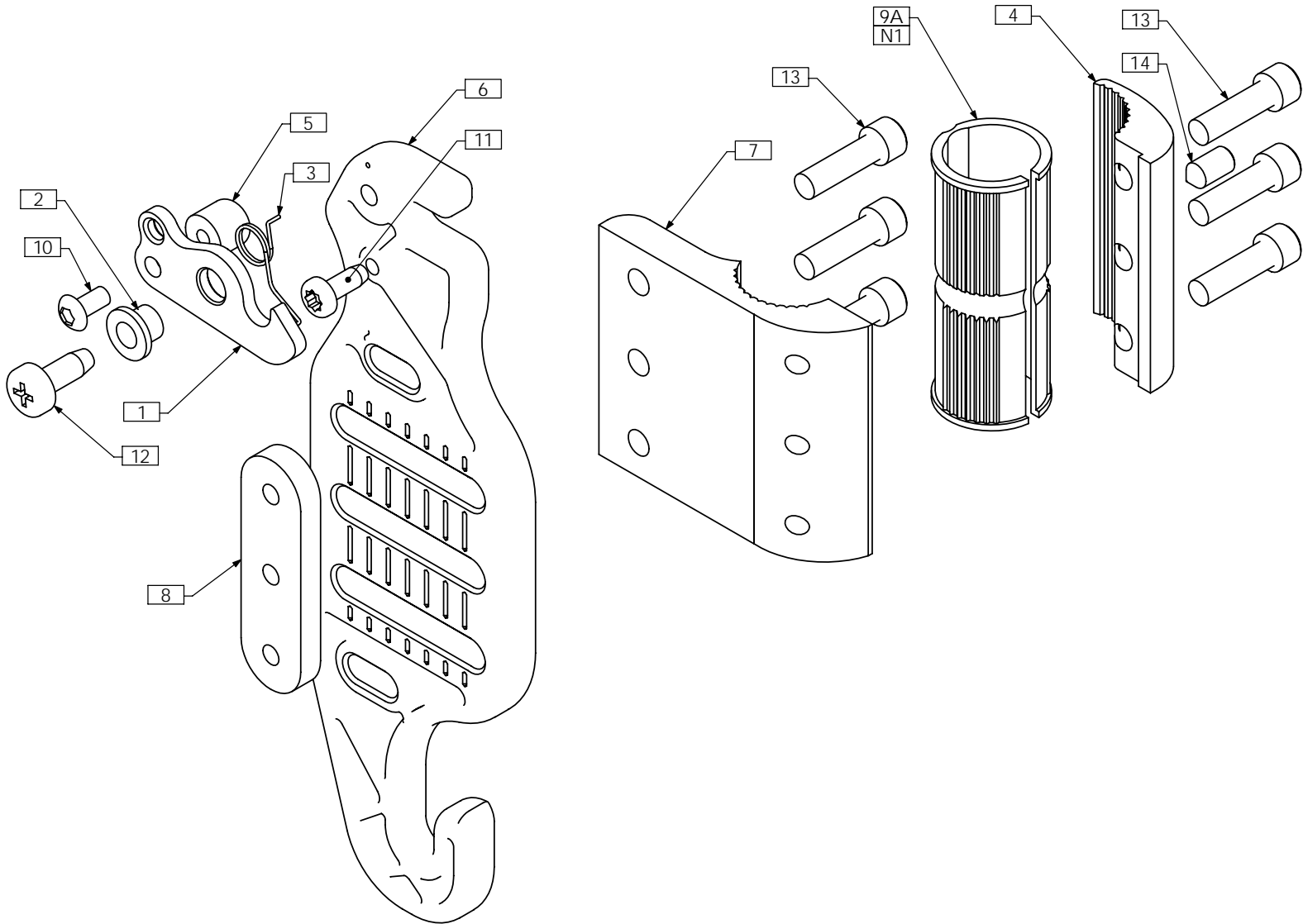
# TRC0423 - EASY SET MOUNTING ASS'Y, RIGHT, TILT-ONLY



NOTES:  
 1. USE TRX2544 FOR ADAPTING TO 7/8" TUBING. USE TRX3300 FOR ADAPTING TO 3/4" TUBING. ADAPTER SLEEVE NOT REQUIRED FOR 1" TUBING

ITEM NO.	QTY.	PART NO.	DESCRIPTION
1	1	TRX1892	LATCH
2	1	TRX1893	LATCH SPRING SLEEVE
3	1	TRX1894	LATCH SPRING, RIGHT
4	1	TRX1896	1 INCH CLAMP BLOCK B
5	1	TRX1897	LATCH STOP
6	1	TRX1898	BACK FRAME MOUNTING PLATE
7	1	TRX1901	BACK CLAMP A
8	1	TRX2535	SCREW PLATE
9A	1	TRX2544	BACK CANE ADAPTOR SLEEVE, 7/8
9B N/S	1	TRX3300	BACK CANE ADAPTOR SLEEVE, 3/4
10	1	TRH0475	#10-32 x 3/8" BUTTON SOCKET CAP SCREW
11	1	TRH0548	#10 x 1/2" PAN TORX PLASTITE SCREW
12	1	TRH0549	M6 x 16 CHEESE POSIDRIVE TAP TITE SCREW
13	6	TRH0553	1/4-20 x 7/8" SOCKET HEAD CAP SCREW GR8
14	1	TRH0583	1/4-20 x 1/4", HEX SOCKET SET SCREW, CONE POINT

# TRC0424 - EASY SET MOUNTING ASS'Y, LEFT, TILT-ONLY

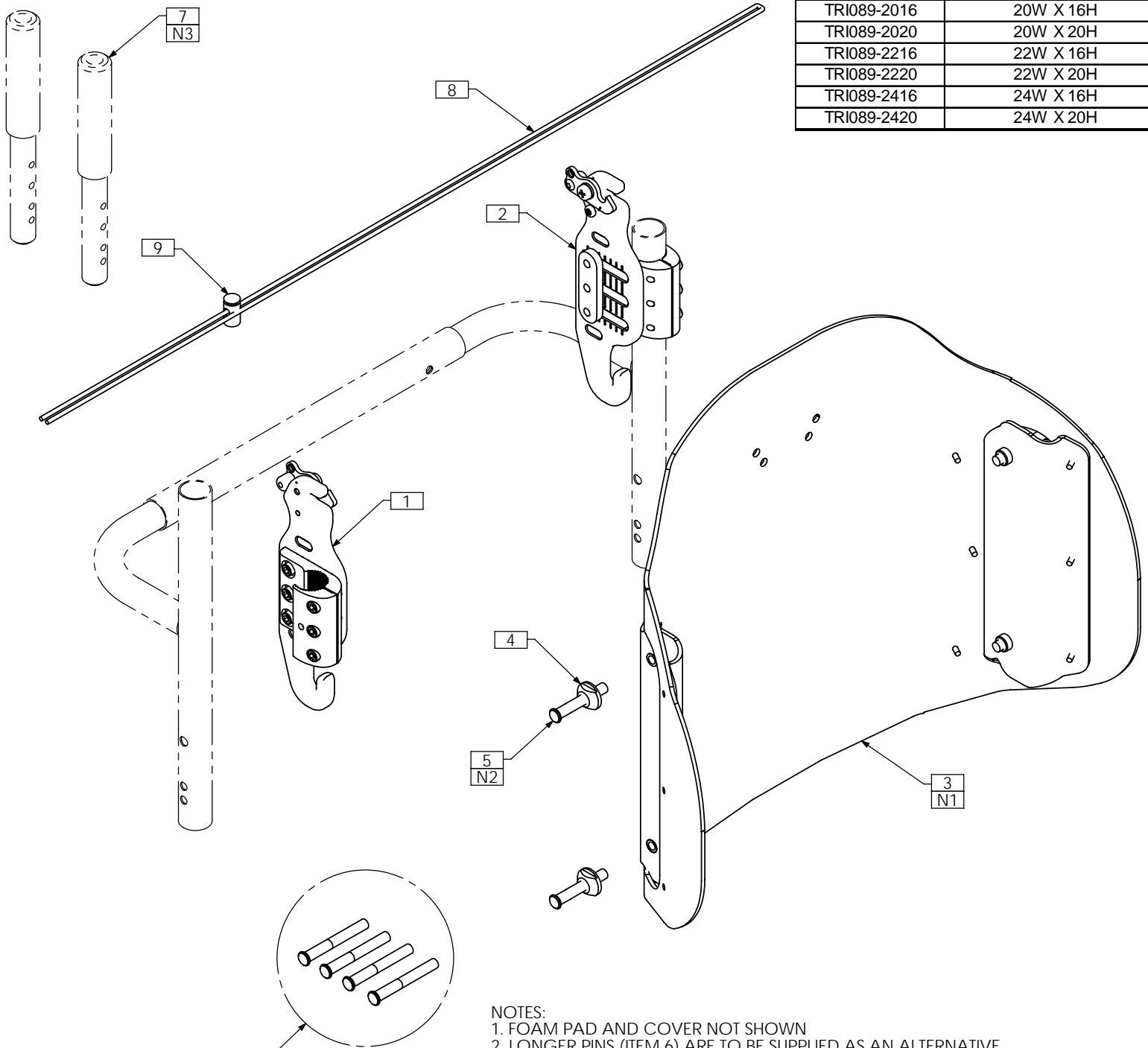


**NOTES:**

1. USE TRX2544 FOR ADAPTING TO 7/8" TUBING. USE TRX3300 FOR ADAPTING TO 3/4" TUBING. ADAPTER SLEEVE NOT REQUIRED FOR 1" TUBING

ITEM NO.	QTY.	PART NO.	DESCRIPTION
1	1	TRX1892	LATCH
2	1	TRX1893	LATCH SPRING SLEEVE
3	1	TRX1895	LATCH SPRING, LEFT
4	1	TRX1896	1 INCH CLAMP BLOCK B
5	1	TRX1897	LATCH STOP
6	1	TRX1898	BACK FRAME MOUNTING PLATE
7	1	TRX1901	BACK CLAMP A
8	1	TRX2535	SCREW PLATE
9A	1	TRX2544	BACK CANE ADAPTOR SLEEVE, 7/8
9B N/S	1	TRX3300	BACK CANE ADAPTOR SLEEVE, 3/4
10	1	TRH0475	#10-32 x 3/8" BUTTON SOCKET CAP SCREW
11	1	TRH0548	#10 x 1/2" PAN TORX PLASTITE SCREW
12	1	TRH0549	M6 x 16 CHEESE POSIDRIVE TAP TITE SCREW
13	6	TRH0553	1/4-20 x 7/8" SOCKET HEAD CAP SCREW GR8
14	1	TRH0583	1/4-20 x 1/4", HEX SOCKET SET SCREW, CONE POINT

# TRI089 - INSTALLATION OVERVIEW, POSTURE BACK ASS'Y, HD, TILT-ONLY



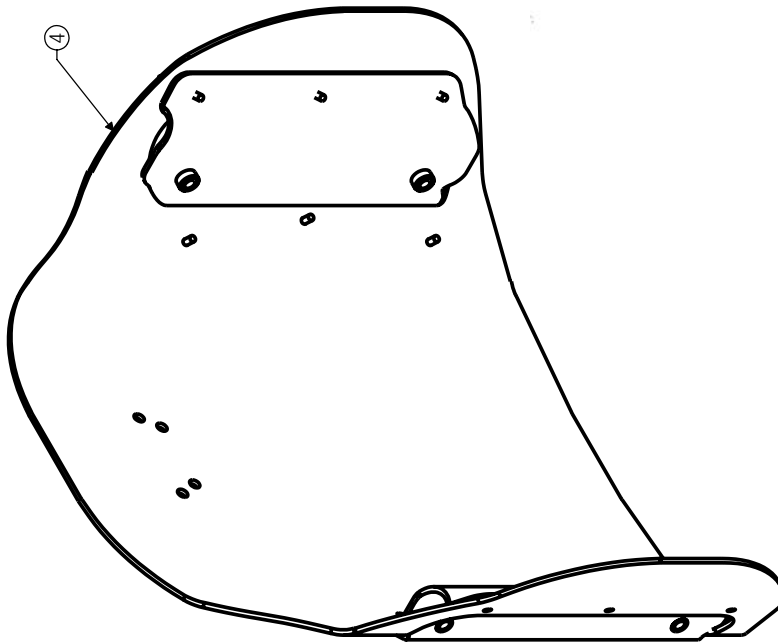
PART NUMBER	SIZE CONFIGURATION
TRI089-2016	20W X 16H
TRI089-2020	20W X 20H
TRI089-2216	22W X 16H
TRI089-2220	22W X 20H
TRI089-2416	24W X 16H
TRI089-2420	24W X 20H

- NOTES:  
 1. FOAM PAD AND COVER NOT SHOWN  
 2. LONGER PINS (ITEM 6) ARE TO BE SUPPLIED AS AN ALTERNATIVE IN CASE ASSEMBLED PINS (ITEM 5) ARE TOO SHORT  
 3. ITEM 7 REQUIRED TO EXTEND SHORT BACKCANES IF NEEDED

ITEM NO.	QTY.	PART NO.	DESCRIPTION
1	1	TRC0443	EASY SET MOUNTING ASS'Y, RIGHT, TILT-ONLY, HD
2	1	TRC0444	EASY SET MOUNTING ASS'Y, LEFT, TILT-ONLY, HD
3	1	TRS0035	HD POSTURE BACK CUSHION ASS'Y
4	4	TRX2390	MOUNTING PIN FLANGE NUT
5	4	TRX2829	MOUNTING PIN, SHORT
6	4	TRX2389	MOUNTING PIN
7	2	TRX2810	BACK CANE EXTENSION TUBE
8	1	TRM0549	#4 BLACK NYLON CORD, 5ft LENGTH
9	1	TRM0550	5/32 OVAL CORD LOCK

ITEM	QTY	PART NO.	DESCRIPTION
1	1	TRS0033	HD POSTURE BACK FOAM PAD
2	1	TRS0054	HD POSTURE BACK COVER, MESHTEX
3	1	TRS0070	LUMBAR FOAM INSERT
4	1	TRC0483	POSTURE BACK PAN ASSY, HD

③



③

SPECIFICATIONS: AS AN ASSEMBLY, CUSHION MUST MEET MINIMUM REQUIREMENTS OF THE CALIFORNIA TECHNICAL BULLETIN #117

PART NUMBER	SIZE CONFIGURATION	LUMBAR PAD
TRS0035-2016	20 X 16	TRS0070-145
TRS0035-2020	20 X 20	TRS0070-145
TRS0035-2216	22 X 16	TRS0070-165
TRS0035-2220	22 X 20	TRS0070-165
TRS0035-2416	24 X 16	TRS0070-185
TRS0035-2420	24 X 20	TRS0070-185



①



②



TORONTO, ONTARIO, CANADA

SCALE: NTS

DIMENSIONS IN: INCHES

TOLERANCE (UNLESS OTHERWISE SPECIFIED)  
 .X ±.03 .XX ±.015 .XXX ±.005 ANGLES ±0.5°

DRAWN BY: DC

DATE: OCTOBER 19, 2004

DESCRIPTION: HD POSTURE BACK CUSHION ASS'Y

APPROVED BY:

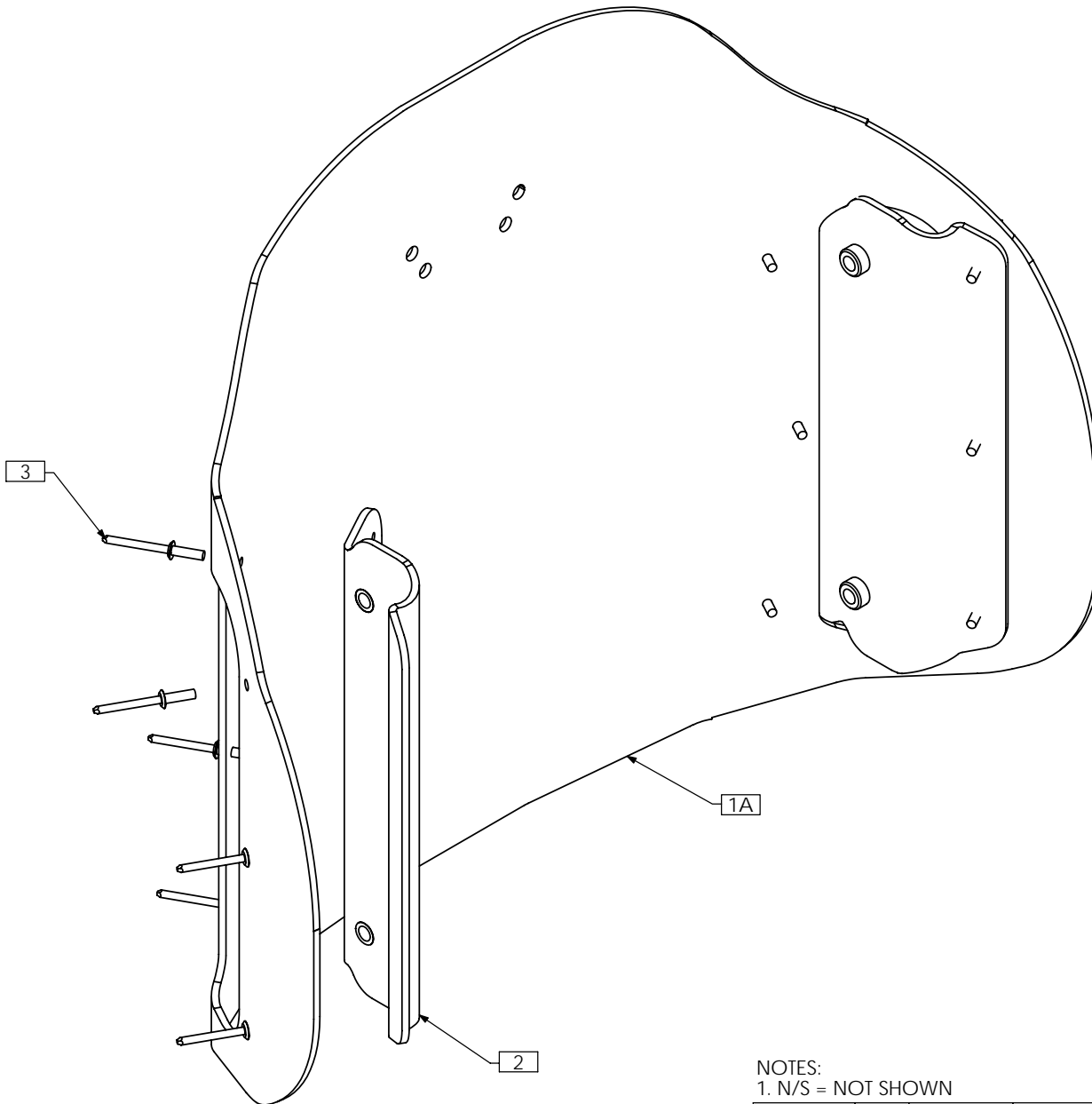
DWG NUMBER: TRS0035

REV 3

REV	DESCRIPTION	REV. BY	DATE
3	ADD LUMBAR FOAM	DC	02/17/06
2	NEW COVER MATERIAL, 1" FOAM THICKNESS	DC	09/07/05
1	UPDATE BILL OF MATERIAL DESCRIPTION - ITEM 1	DC	04/28/05

# TRC0483 - POSTURE BACK PAN ASS'Y, HD

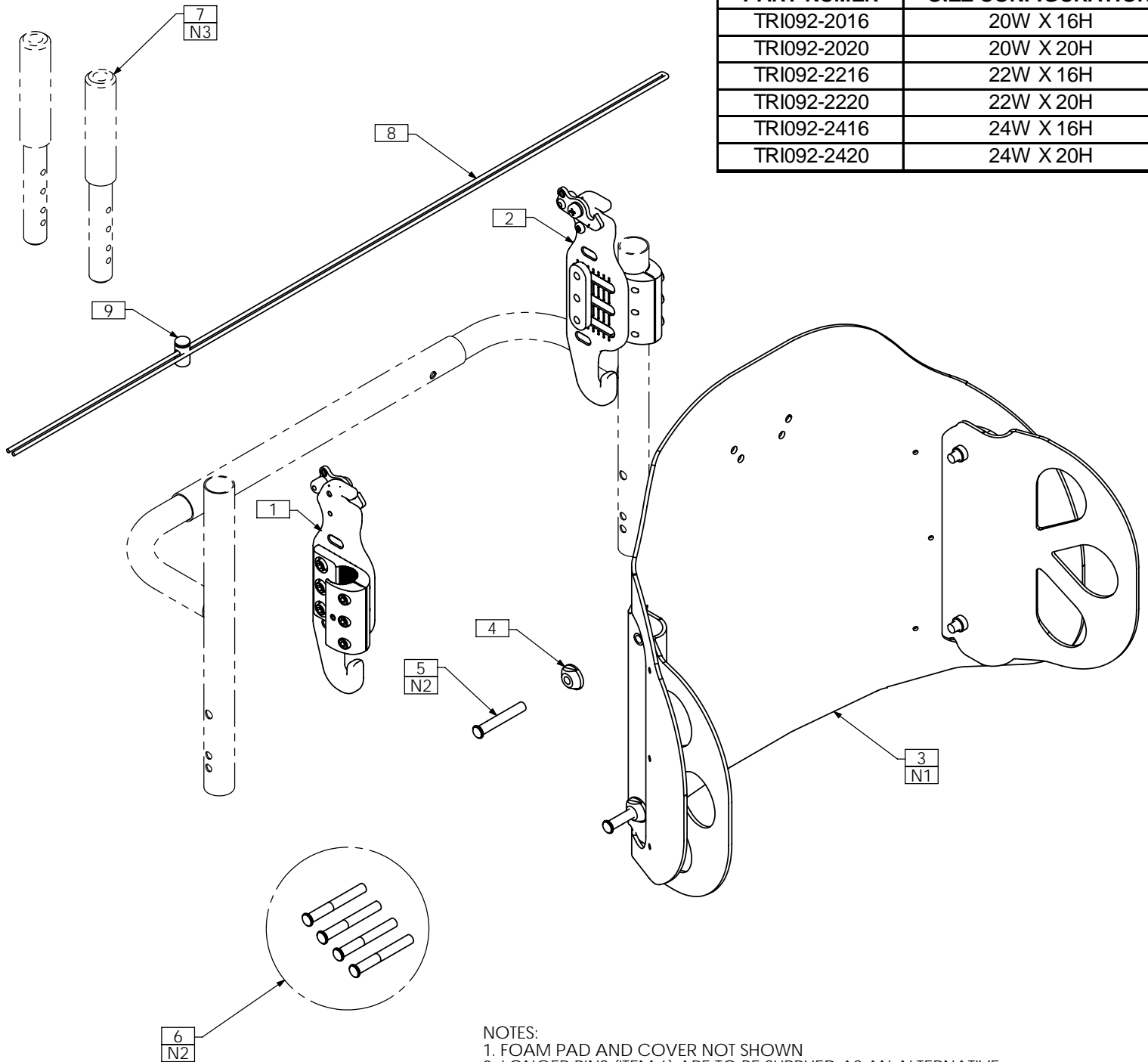
PART NUMBER	SIZE CONFIGURATION
TRC0483-2016	20W X 16H
TRC0483-2020	20W X 20H
TRC0483-2216	22W X 16H
TRC0483-2220	22W X 20H
TRC0483-2416	24W X 16H
TRC0483-2420	24W X 20H



NOTES:  
1. N/S = NOT SHOWN

ITEM NO.	QTY.	PART NO.	DESCRIPTION
1A	1	TRX2547	20 X 16 POSTURE BACK
1B N/S	1	TRX2546	20 X 20 POSTURE BACK
1C N/S	1	TRX2800	22 X 16 POSTURE BACK
1D N/S	1	TRX2799	22 X 20 POSTURE BACK
1E N/S	1	TRX2801	24 X 16 POSTURE BACK
1F N/S	1	TRX2802	24 X 20 POSTURE BACK
2	2	TRX2925	HD BACKING PLATE ASS'Y
3	12	TRH0069	No. 56 RIVET

# TRI092 - INSTALLATION OVERVIEW, POSTURE BACK ASS'Y, DEEP HD, TILT-ONLY



PART NUMBER	SIZE CONFIGURATION
TRI092-2016	20W X 16H
TRI092-2020	20W X 20H
TRI092-2216	22W X 16H
TRI092-2220	22W X 20H
TRI092-2416	24W X 16H
TRI092-2420	24W X 20H

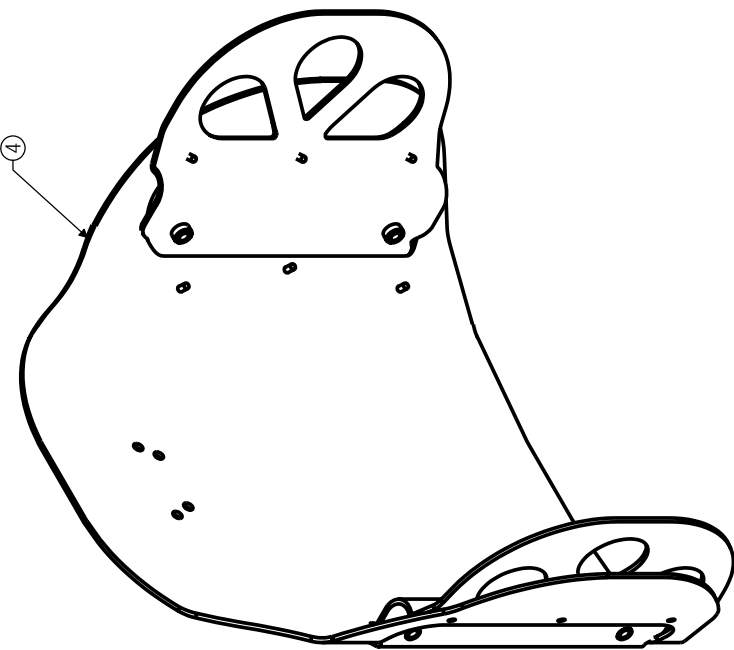
**NOTES:**

1. FOAM PAD AND COVER NOT SHOWN
2. LONGER PINS (ITEM 6) ARE TO BE SUPPLIED AS AN ALTERNATIVE IN CASE ASSEMBLED PINS (ITEM 5) ARE TOO SHORT
3. ITEM 7 REQUIRED TO EXTEND SHORT BACKCANES IF NEEDED

ITEM NO.	QTY.	PART NO.	DESCRIPTION
1	1	TRC0443	EASY SET MOUNTING ASS'Y, RIGHT, TILT-ONLY, HD
2	1	TRC0444	EASY SET MOUNTING ASS'Y, LEFT, TILT-ONLY, HD
3	1	TRS0038	DEEP HD POSTURE BACK CUSHION ASS'Y
4	4	TRX2390	MOUNTING PIN FLANGE NUT
5	4	TRX2829	MOUNTING PIN, SHORT
6	4	TRX2389	MOUNTING PIN
7	2	TRX2810	BACK CANE EXTENSION TUBE
8	1	TRM0549	#4 BLACK NYLON CORD, 5ft LENGTH
9	1	TRM0550	5/32 OVAL CORD LOCK

ITEM	QTY	PART NO.	DESCRIPTION
1	1	TRS0036	DEEP HD POSTURE BACK FOAM PAD
2	1	TRS0055	DEEP HD POSTURE BACK COVER, MESHTEX
3	1	TRS0070	LUMBAR FOAM INSERT
4	1	TRC0476	DEEP POSTURE BACK PAN ASS'Y, HD

③



SPECIFICATIONS: AS AN ASSEMBLY, CUSHION MUST MEET MINIMUM REQUIREMENTS OF THE CALIFORNIA TECHNICAL BULLETIN #117

PART NUMBER	SIZE CONFIGURATION	LUMBAR PAD
TRS0038-2016	20 X 16	TRS0070-145
TRS0038-2020	20 X 20	TRS0070-145
TRS0038-2216	22 X 16	TRS0070-165
TRS0038-2220	22 X 20	TRS0070-165
TRS0038-2416	24 X 16	TRS0070-185
TRS0038-2420	24 X 20	TRS0070-185

③



①



②



TORONTO, ONTARIO, CANADA

SCALE: NTS

DIMENSIONS IN: INCHES

TOLERANCE (UNLESS OTHERWISE SPECIFIED)  
 .X ±.03 .XX ±.015 .XXX ±.005 ANGLES ±0.5°

DRAWN BY: DC

DATE: OCTOBER 19, 2004

DESCRIPTION: DEEP HD POSTURE BACK CUSHION ASS'Y

APPROVED BY:

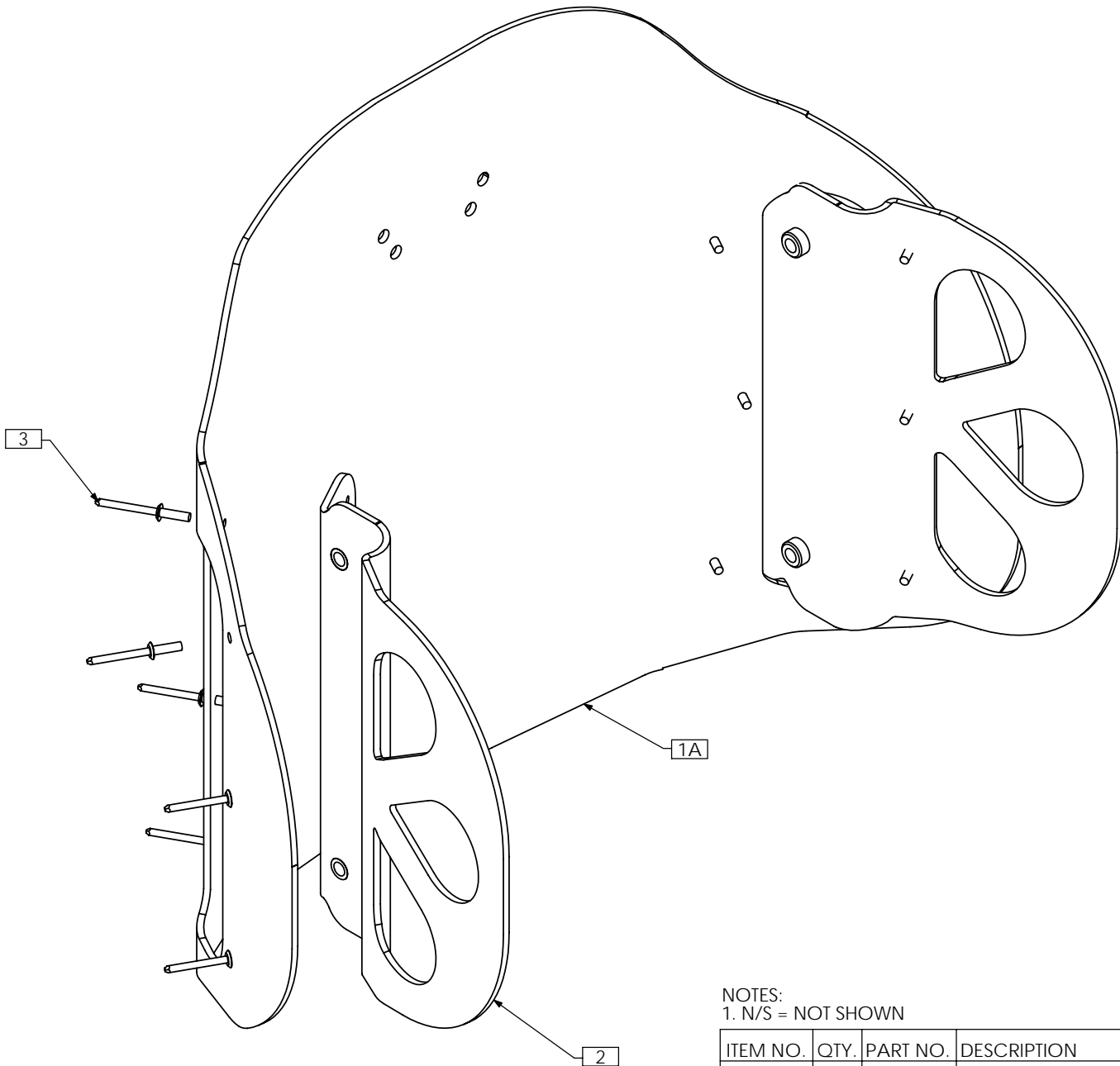
DWG NUMBER: TRS0038

REV 3

REV	DESCRIPTION	REV. BY	DATE
3	ADD LUMBAR FOAM	DC	02/17/06
2	NEW COVER MATERIAL, 1" FOAM THICKNESS	DC	09/07/05
1	UPDATE BILL OF MATERIAL DESCRIPTION - ITEM 1	DC	04/28/05

# TRC0476 - DEEP POSTURE BACK PAN ASS'Y, HD

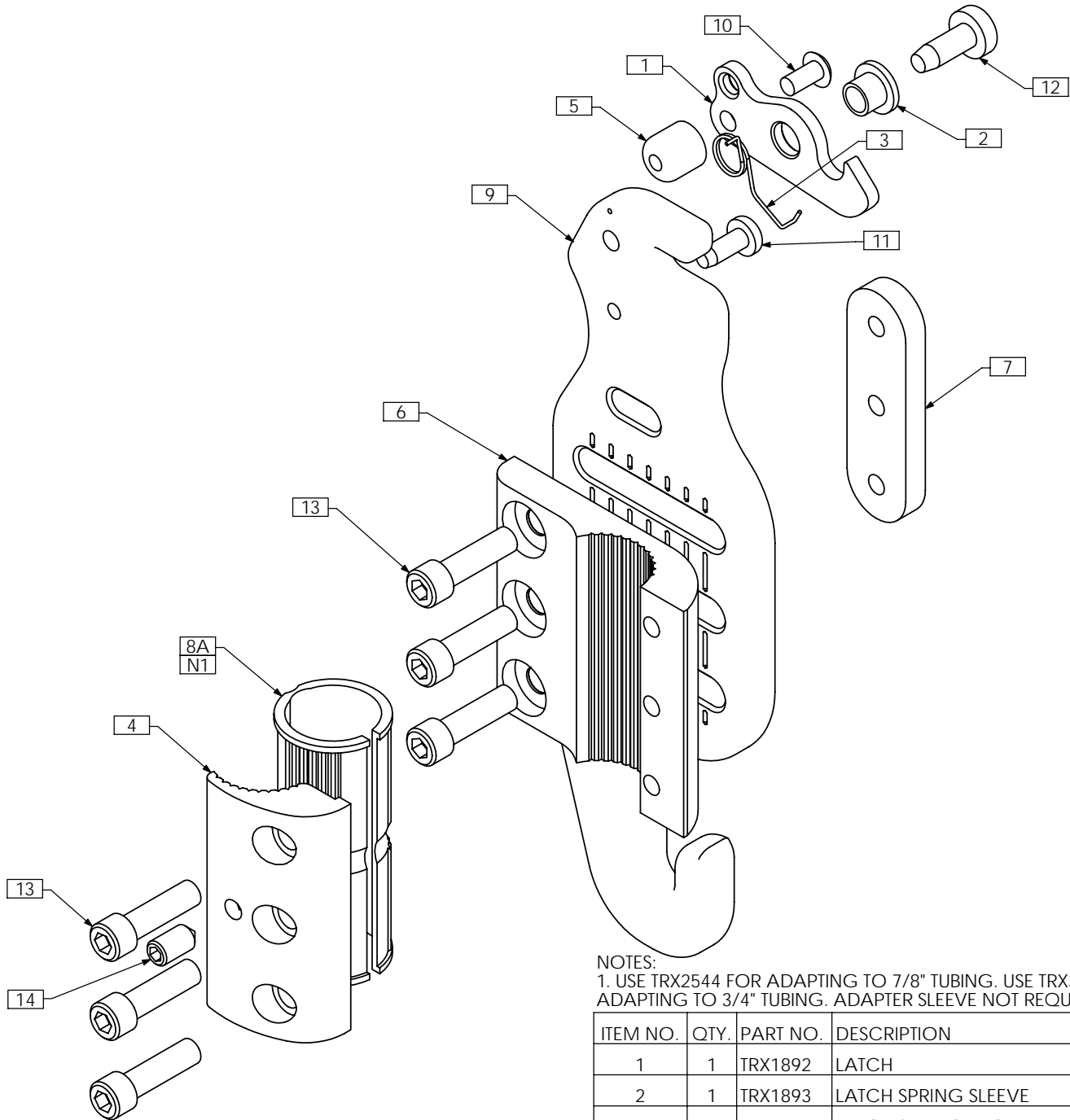
PART NUMER	SIZE CONFIGURATION
TRC0476-2016	20W X 16H
TRC0476-2020	20W X 20H
TRC0476-2216	22W X 16H
TRC0476-2220	22W X 20H
TRC0476-2416	24W X 16H
TRC0476-2420	24W X 20H



NOTES:  
1. N/S = NOT SHOWN

ITEM NO.	QTY.	PART NO.	DESCRIPTION
1A	1	TRX2547	20 X 16 POSTURE BACK
1B N/S	1	TRX2546	20 X 20 POSTURE BACK
1C N/S	1	TRX2800	22 X 16 POSTURE BACK
1D N/S	1	TRX2799	22 X 20 POSTURE BACK
1E N/S	1	TRX2801	24 X 16 POSTURE BACK
1F N/S	1	TRX2802	24 X 20 POSTURE BACK
2	2	TRX2964	HD BACKING PLATE ASS'Y, DEEP
3	12	TRH0069	No. 56 RIVET

# TRC0443 - EASY SET MOUNTING ASS'Y, RIGHT, TILT-ONLY, HD

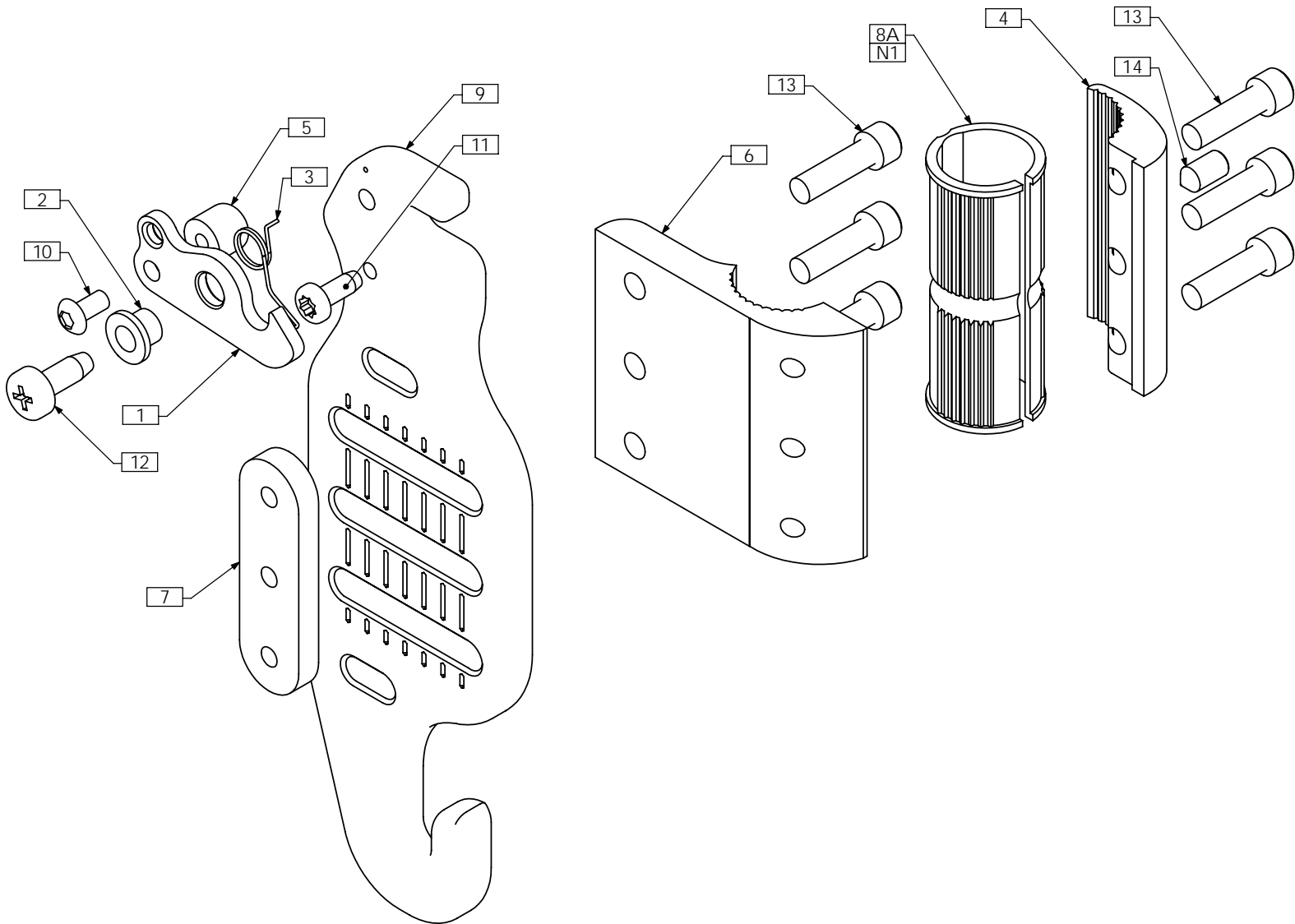


**NOTES:**

1. USE TRX2544 FOR ADAPTING TO 7/8" TUBING. USE TRX3300 FOR ADAPTING TO 3/4" TUBING. ADAPTER SLEEVE NOT REQUIRED FOR 1" TUBING

ITEM NO.	QTY.	PART NO.	DESCRIPTION
1	1	TRX1892	LATCH
2	1	TRX1893	LATCH SPRING SLEEVE
3	1	TRX1894	LATCH SPRING, RIGHT
4	1	TRX1896	1 INCH CLAMP BLOCK B
5	1	TRX1897	LATCH STOP
6	1	TRX1901	BACK CLAMP A
7	1	TRX2535	SCREW PLATE
8A	1	TRX2544	BACK CANE ADAPTOR SLEEVE, 7/8
8B N/S	1	TRX3300	BACK CANE ADAPTOR SLEEVE, 3/4
9	1	TRX2803	BACK FRAME MOUNTING PLATE
10	1	TRH0475	#10-32 x 3/8" BUTTON SOCKET CAP SCREW
11	1	TRH0548	#10 x 1/2" PAN TORX PLASTITE SCREW
12	1	TRH0549	M6 x 16 CHEESE POSIDRIVE TAP TITE SCREW
13	6	TRH0553	1/4-20 x 7/8" SOCKET HEAD CAP SCREW GR8
14	1	TRH0583	1/4-20 x 1/4", HEX SOCKET SET SCREW, CONE POINT

# TRC0444 - EASY SET MOUNTING ASS'Y, LEFT, TILT-ONLY, HD



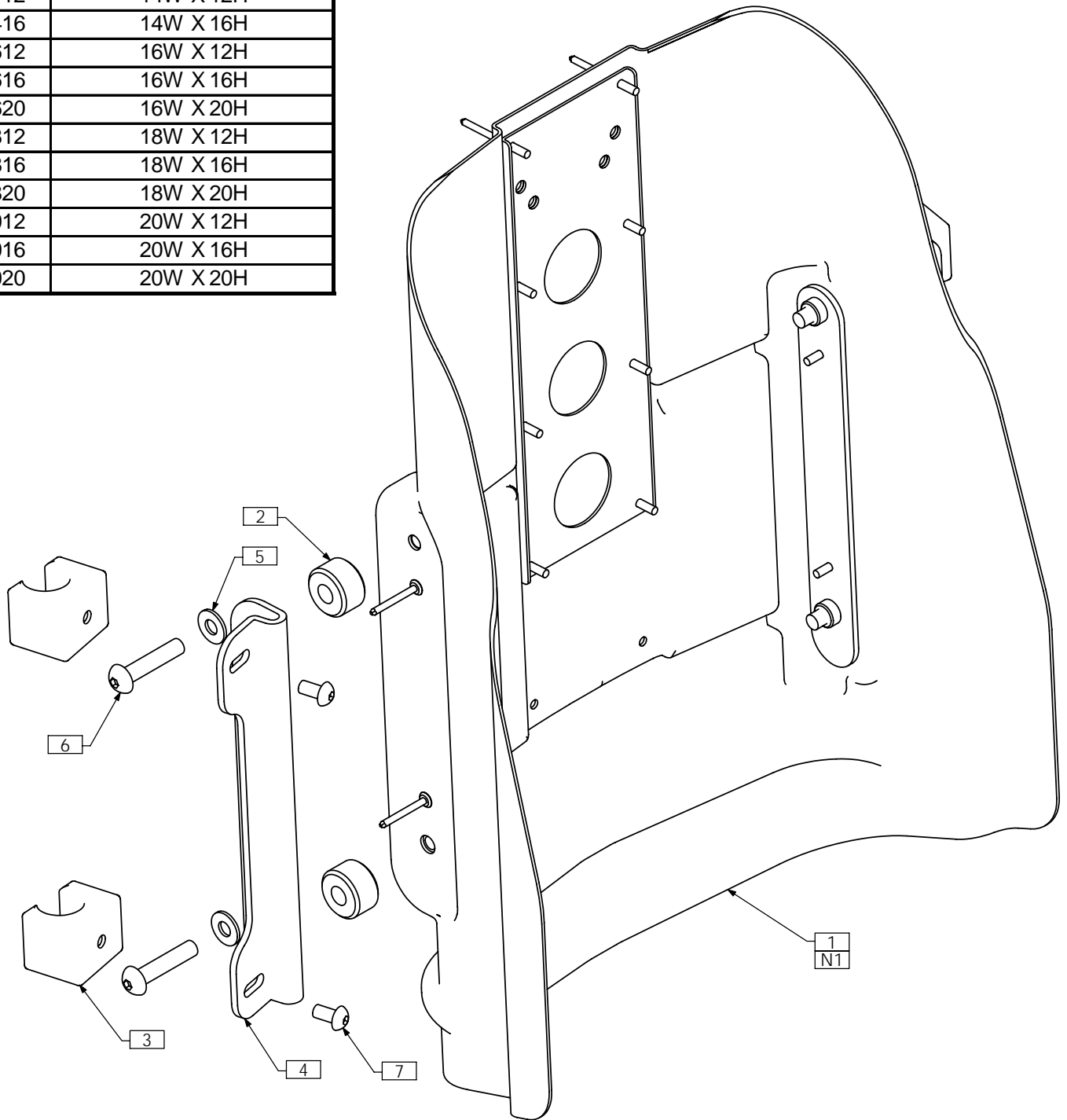
**NOTES:**

1. USE TRX2544 FOR ADAPTING TO 7/8" TUBING. USE TRX3300 FOR ADAPTING TO 3/4" TUBING. ADAPTER SLEEVE NOT REQUIRED FOR 1" TUBING

ITEM NO.	QTY.	PART NO.	DESCRIPTION
1	1	TRX1892	LATCH
2	1	TRX1893	LATCH SPRING SLEEVE
3	1	TRX1895	LATCH SPRING, LEFT
4	1	TRX1896	1 INCH CLAMP BLOCK B
5	1	TRX1897	LATCH STOP
6	1	TRX1901	BACK CLAMP A
7	1	TRX2535	SCREW PLATE
8A	1	TRX2544	BACK CANE ADAPTOR SLEEVE, 7/8
8B N/S	1	TRX3300	BACK CANE ADAPTOR SLEEVE, 3/4
9	1	TRX2803	BACK FRAME MOUNTING PLATE
10	1	TRH0475	#10-32 x 3/8" BUTTON SOCKET CAP SCREW
11	1	TRH0548	#10 x 1/2" PAN TORX PLASTITE SCREW
12	1	TRH0549	M6 x 16 CHEESE POSIDRIVE TAP TITE SCREW
13	6	TRH0553	1/4-20 x 7/8" SOCKET HEAD CAP SCREW GR8
14	1	TRH0583	1/4-20 x 1/4", HEX SOCKET SET SCREW, CONE POINT

# TRC0462 - POSTURE BACK ASS'Y, RECLINE AND ESR

PART NUMER	SIZE CONFIGURATION
TRC0462-1412	14W X 12H
TRC0462-1416	14W X 16H
TRC0462-1612	16W X 12H
TRC0462-1616	16W X 16H
TRC0462-1620	16W X 20H
TRC0462-1812	18W X 12H
TRC0462-1816	18W X 16H
TRC0462-1820	18W X 20H
TRC0462-2012	20W X 12H
TRC0462-2016	20W X 16H
TRC0462-2020	20W X 20H

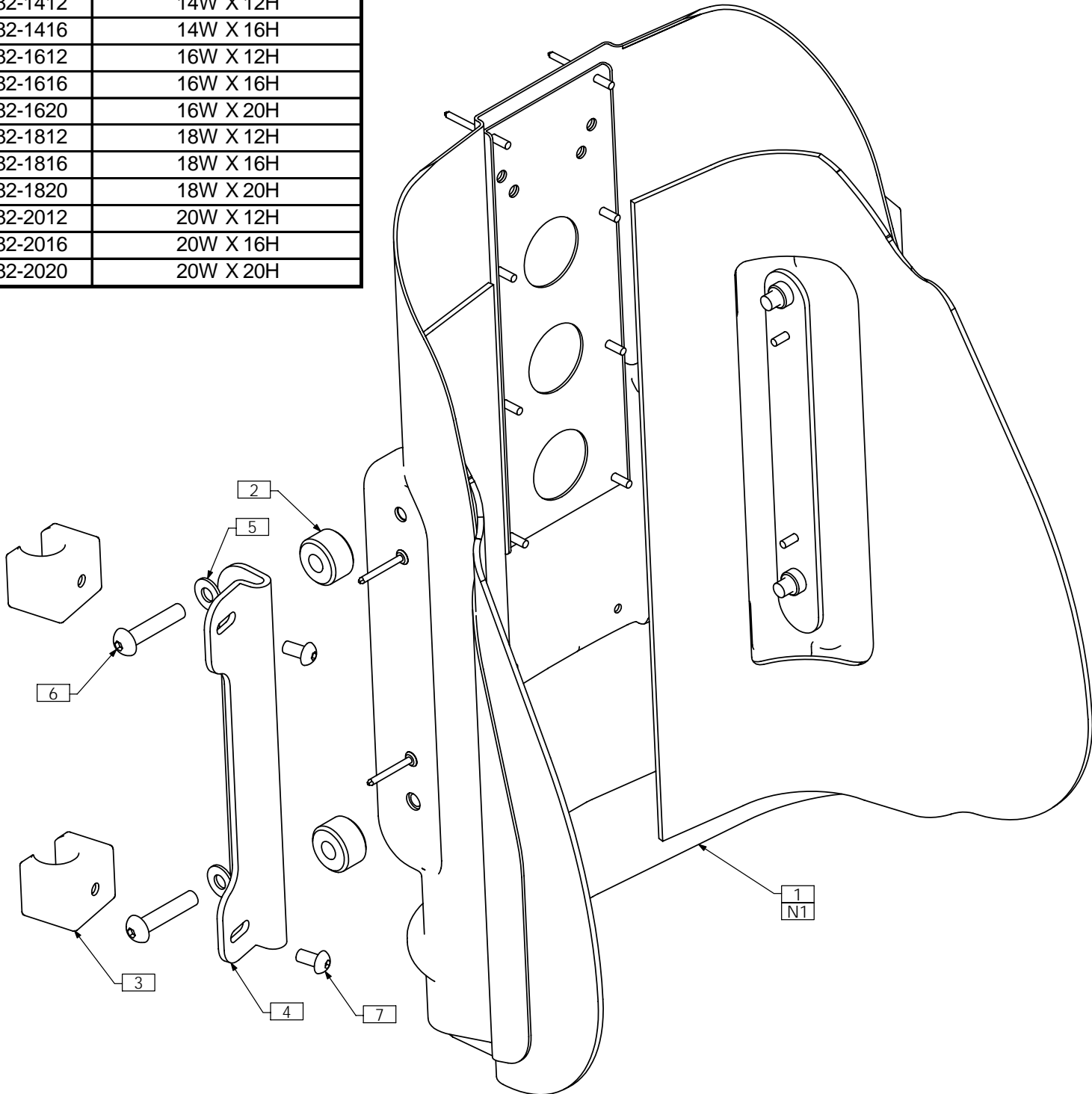


NOTES:  
1. FOAM PAD AND COVER NOT SHOWN

ITEM NO.	QTY.	PART NO.	DESCRIPTION
1	1	TRS0017	POSTURE BACK CUSHION ASS'Y
2	4	TRX1669-0603	SPACER, 3/8 X 1
3	4	TRX1727	ESR GLIDE BLOCK ASS'Y
4	2	TRX2677	ESR MOUNTING PLATE
5	4	TRH0107	5/16" FLAT WASHER
6	4	TRH0391	5/16-24 x 1 1/2" BUTTON SOCKET CAP SCREW
7	4	TRH0429	1/4-20 x 1/2" BUTTON SOCKET CAP SCREW

# TRC0482 - POSTURE BACK ASS'Y, DEEP, RECLINE AND ESR

PART NUMER	SIZE CONFIGURATION
TRC0482-1412	14W X 12H
TRC0482-1416	14W X 16H
TRC0482-1612	16W X 12H
TRC0482-1616	16W X 16H
TRC0482-1620	16W X 20H
TRC0482-1812	18W X 12H
TRC0482-1816	18W X 16H
TRC0482-1820	18W X 20H
TRC0482-2012	20W X 12H
TRC0482-2016	20W X 16H
TRC0482-2020	20W X 20H



NOTES:  
1. FOAM PAD AND COVER NOT SHOWN

ITEM NO.	QTY.	PART NO.	DESCRIPTION
1	1	TRS0032	DEEP POSTURE BACK CUSHION ASS'Y
2	4	TRX1669-0603	SPACER, 3/8 X 1
3	4	TRX1727	ESR GLIDE BLOCK ASS'Y
4	2	TRX2677	ESR MOUNTING PLATE
5	4	TRH0107	5/16" FLAT WASHER
6	4	TRH0391	5/16-24 x 1 1/2" BUTTON SOCKET CAP SCREW
7	4	TRH0429	1/4-20 x 1/2" BUTTON SOCKET CAP SCREW



**MATRX SEATING SERIES**  
**Effective February 2006**



**MaTRx Contour Back**

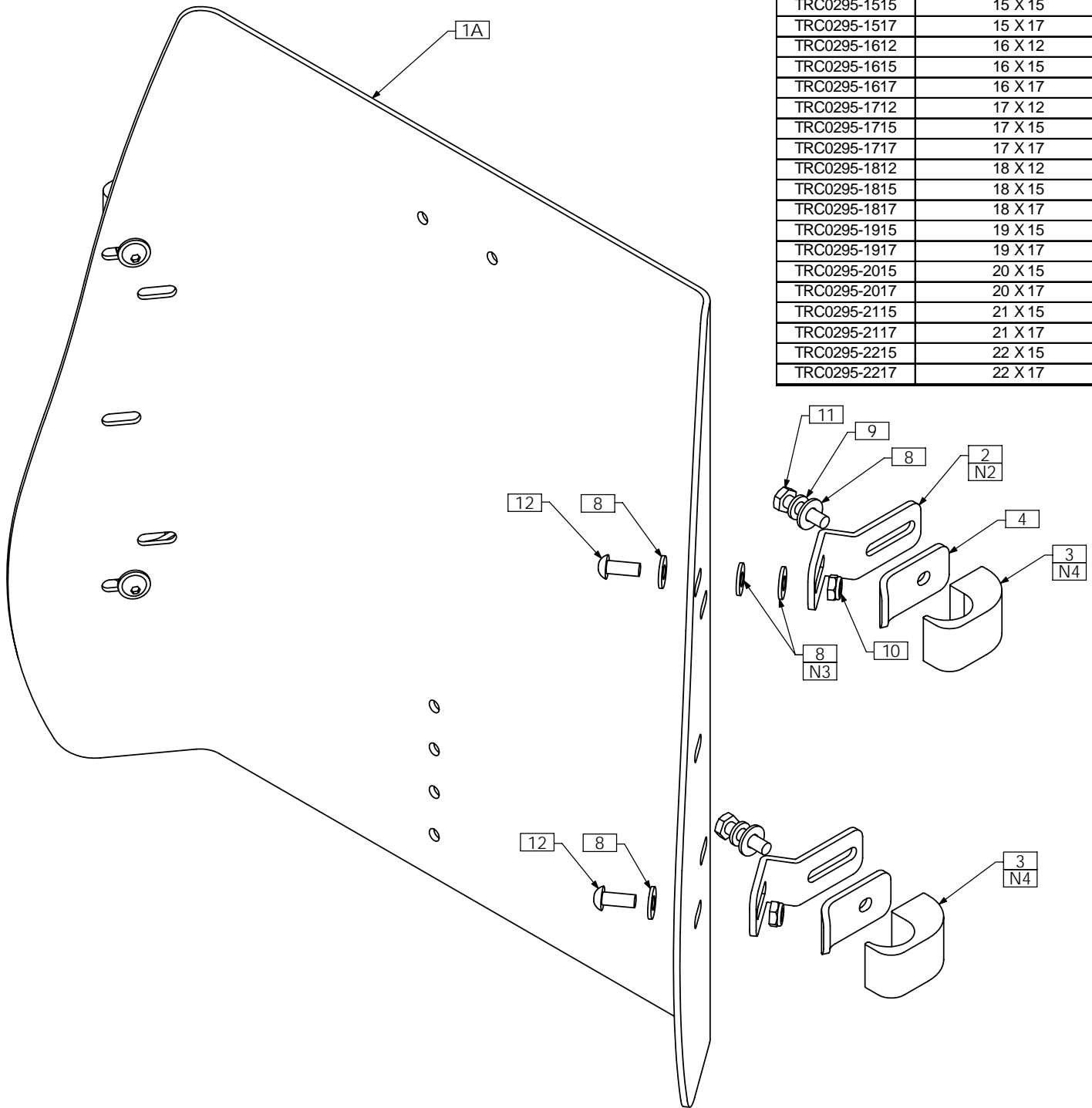
Back includes fixed mounting hardware with approx. 1" of depth adjustability.  
 Hardware fits 7/8" or 1" diameter back canes.  
 (3/4" inserts available upon request) Weight Capacity up to 300 lbs.

Model #	Model #	Fits Wheelchair	
Back	Extra Outer Cover	Width	Height
<b>HCPCS code E2613</b>	<b>HCPCS code E2619</b>		
TRC0295-1512	CBCV1512	15"	12"
TRC0295-1515	CBCV1515	15"	15"
TRC0295-1517	CBCV1517	15"	17"
TRC0295-1612	CBCV1612	16"	12"
TRC0295-1615	CBCV1612	16"	15"
TRC0295-1617	CBCV1617	16"	17"
TRC0295-1712	CBCV1712	17"	12"
TRC0295-1715	CBCV1715	17"	15"
TRC0295-1717	CBCV1717	17"	17"
TRC0295-1812	CBCV1812	18"	12"
TRC0295-1815	CBCV1815	18"	15"
TRC0295-1817	CBCV1817	18"	17"
TRC0295-1915	CBCV1915	19"	15"
TRC0295-1917	CBCV1917	19"	17"
TRC0295-2015	CBCV2015	20"	15"
TRC0295-2017	CBCV2017	20"	17"
TRC0295-2115	CBCV2115	21"	15"
TRC0295-2117	CBCV2117	21"	17"
<b>HCPCS code E2614</b>	<b>HCPCS code E2619</b>		
TRC0295-2215	CBCV2215	22"	15"
TRC0295-2217	CBCV2217	22"	17"

\* includes foam

# TRC0295 - CONTOUR BACK, TILT-ONLY, MATRIX KIT

PART NUMBER	SIZE CONFIGURATION
TRC0295-1512	15 X 12
TRC0295-1515	15 X 15
TRC0295-1517	15 X 17
TRC0295-1612	16 X 12
TRC0295-1615	16 X 15
TRC0295-1617	16 X 17
TRC0295-1712	17 X 12
TRC0295-1715	17 X 15
TRC0295-1717	17 X 17
TRC0295-1812	18 X 12
TRC0295-1815	18 X 15
TRC0295-1817	18 X 17
TRC0295-1915	19 X 15
TRC0295-1917	19 X 17
TRC0295-2015	20 X 15
TRC0295-2017	20 X 17
TRC0295-2115	21 X 15
TRC0295-2117	21 X 17
TRC0295-2215	22 X 15
TRC0295-2217	22 X 17

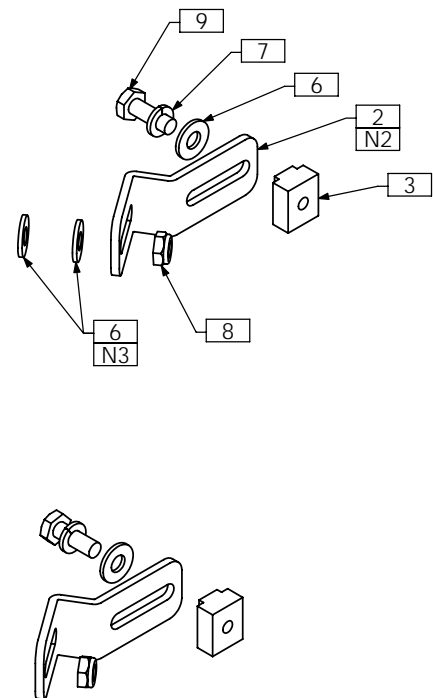
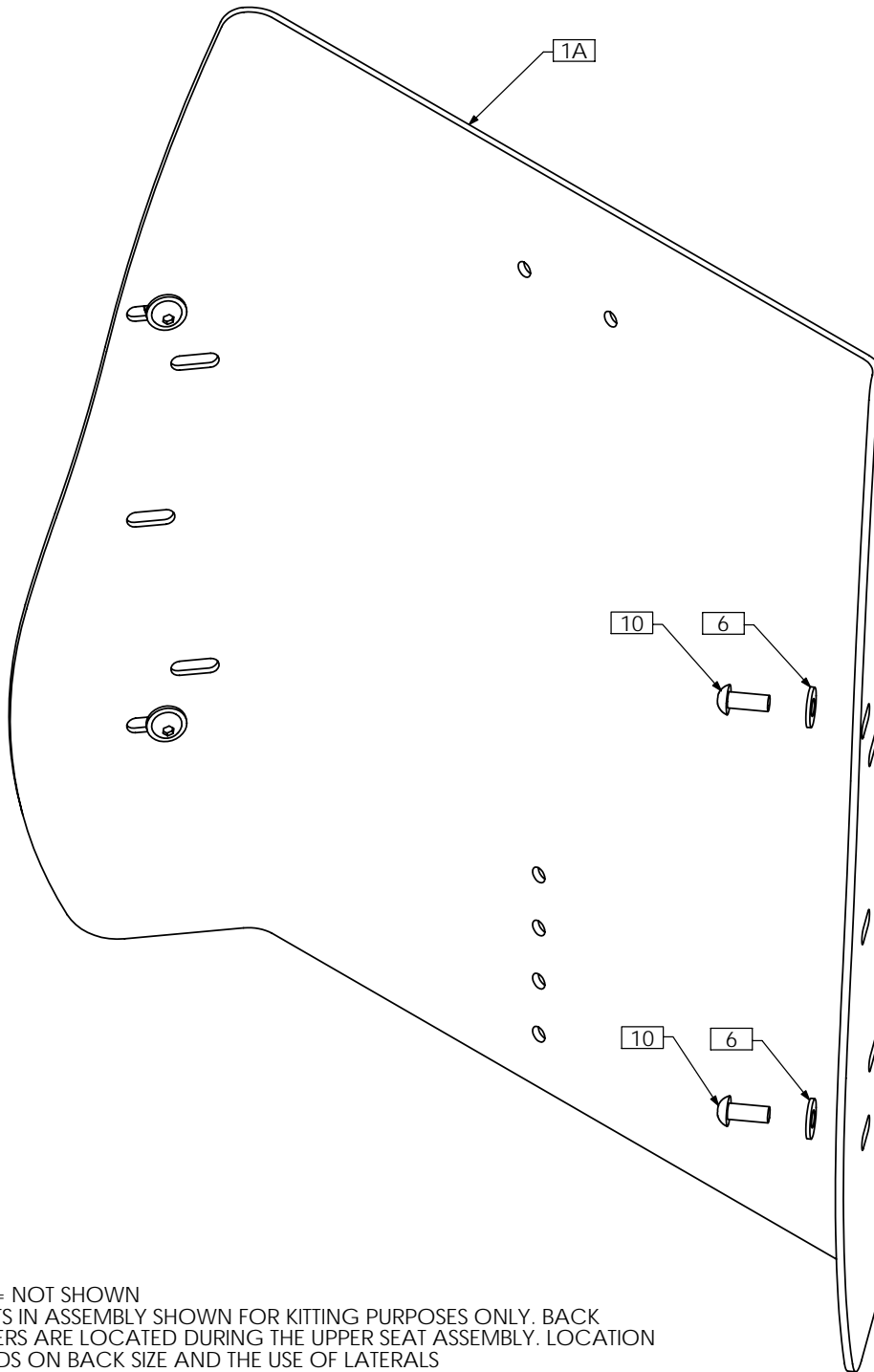


- NOTES:  
 1. N/S = NOT SHOWN  
 2. PARTS IN ASSEMBLY SHOWN FOR KITTING PURPOSES ONLY. BACK HANGERS ARE LOCATED DURING THE UPPER SEAT ASSEMBLY. LOCATION DEPENDS ON BACK SIZE AND THE USE OF LATERALS  
 3. WASHERS USED TO PROVIDE CLEARANCE FROM BACK PAN EDGE TRIM USE AS REQUIRED  
 4. USE ITEM 3 FOR 1" DIAMETER CANES. USE ITEM 4 AND ITEM 5 CUT IN HALF FOR 7/8" CANES

ITEM NO.	QTY.	PART NO.	DESCRIPTION	ITEM NO.	QTY.	PART NO.	DESCRIPTION
1A	1	TRX1195	CONTOUR BACK PAN, 17H	6 N/S	5ft	TRM0568	RUBBER EDGE TRIM, SMALL PROFILE
1B N/S	1	TRX2741	CONTOUR BACK PAN, 15H	7 N/S	1	TRS0020	CONTOUR BACK CUSHION ASS'Y
1C N/S	1	TRX2740	CONTOUR BACK PAN, 12H	8	12	TRH0101	¼" FLAT WASHER
2	4	TRX1196	BACK HANGER	9	4	TRH0115	¼" LOCK WASHER
3	4	TRX1198	BACK CLAMP BLOCK, 1"	10	4	TRH0202	¼-20 SHALLOW NYLOC NUT
4	4	TRX1214	CLAMPING PLATE	11	4	TRH0303	¼-20 x 1" HEX HEAD CAP SCREW
5 N/S	2	TRX2544	BACK CANE ADAPTOR SLEEVE, 7/8	12	4	TRH0308	¼-20 x 5/8" BUTTON SOCKET CAP SCREW

# TRC0577 - CONTOUR BACK, RECLINE, MATRIX KIT

PART NUMBER	SIZE CONFIGURATION
TRC0577-1512	15 X 12
TRC0577-1515	15 X 15
TRC0577-1517	15 X 17
TRC0577-1612	16 X 12
TRC0577-1615	16 X 15
TRC0577-1617	16 X 17
TRC0577-1712	17 X 12
TRC0577-1715	17 X 15
TRC0577-1717	17 X 17
TRC0577-1812	18 X 12
TRC0577-1815	18 X 15
TRC0577-1817	18 X 17
TRC0577-1915	19 X 15
TRC0577-1917	19 X 17
TRC0577-2015	20 X 15
TRC0577-2017	20 X 17
TRC0577-2115	21 X 15
TRC0577-2117	21 X 17
TRC0577-2215	22 X 15
TRC0577-2217	22 X 17



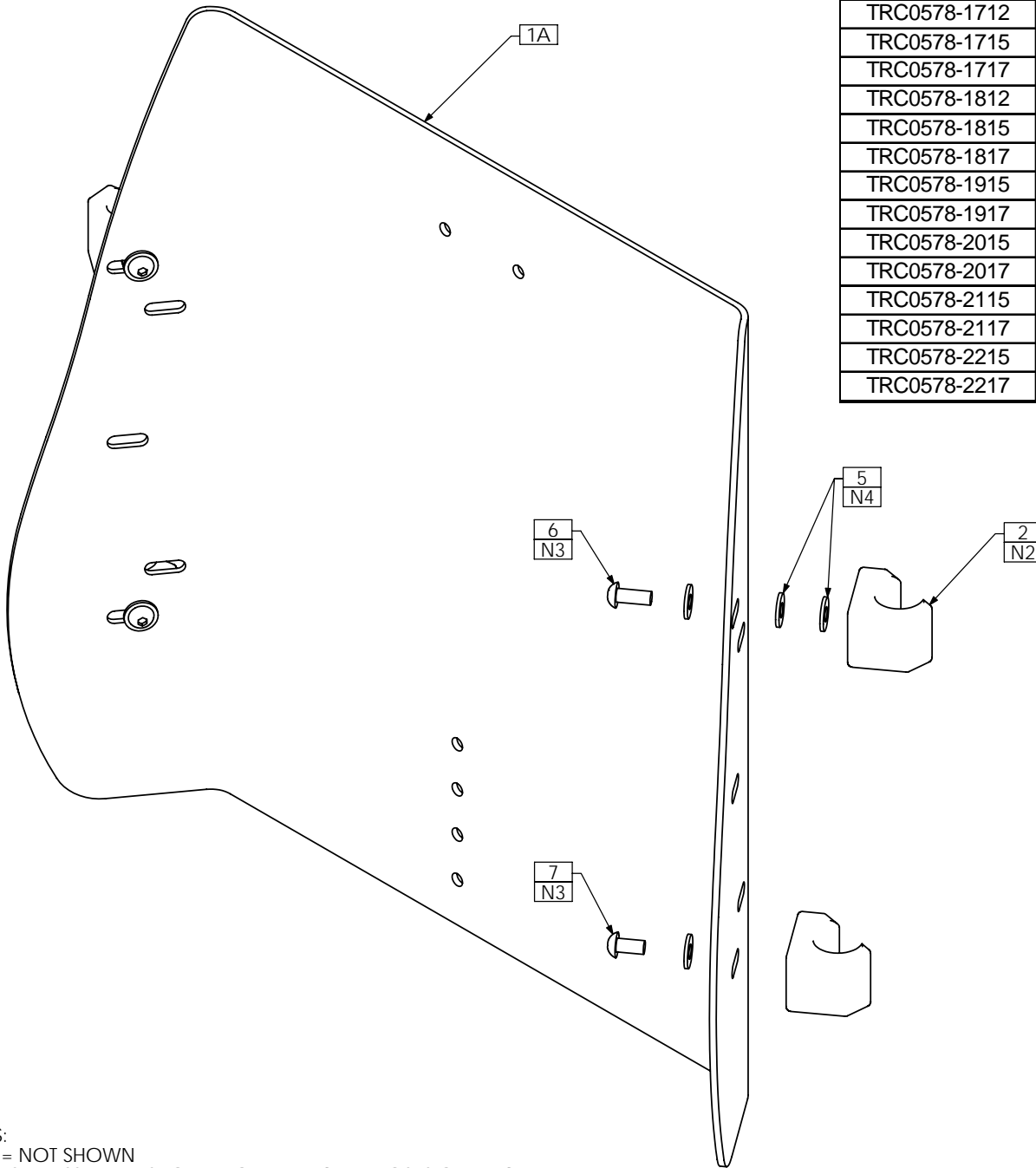
**NOTES:**

1. N/S = NOT SHOWN
2. PARTS IN ASSEMBLY SHOWN FOR KITTING PURPOSES ONLY. BACK HANGERS ARE LOCATED DURING THE UPPER SEAT ASSEMBLY. LOCATION DEPENDS ON BACK SIZE AND THE USE OF LATERALS
3. WASHERS USED TO PROVIDE CLEARANCE FROM BACK PAN EDGE TRIM. USE AS REQUIRED

ITEM NO.	QTY.	PART NO.	DESCRIPTION	ITEM NO.	QTY.	PART NO.	DESCRIPTION
1A	1	TRX1195	CONTOUR BACK PAN, 17H	5 N/S	1	TRS0020	CONTOUR BACK CUSHION ASS'Y
1B N/S	1	TRX2741	CONTOUR BACK PAN, 15H	6	12	TRH0101	¼" FLAT WASHER
1C N/S	1	TRX2740	CONTOUR BACK PAN, 12H	7	4	TRH0115	¼" LOCK WASHER
2	4	TRX1196	BACK HANGER	8	4	TRH0202	¼-20 SHALLOW NYLOC NUT
3	4	TRX1230	T-NUT, 1/4-20	9	4	TRH0306	¼-20 x ¾" HEX HEAD CAP SCREW
4 N/S	5ft	TRM0568	RUBBER EDGE TRIM, SMALL PROFILE	10	4	TRH0308	¼-20 x 5/8" BUTTON SOCKET CAP SCREW

# TRC0578 - CONTOUR BACK, RECLINE AND ESR, MATRIX KIT

PART NUMER	SIZE CONFIGURATION
TRC0578-1512	15 X 12
TRC0578-1515	15 X 15
TRC0578-1517	15 X 17
TRC0578-1612	16 X 12
TRC0578-1615	16 X 15
TRC0578-1617	16 X 17
TRC0578-1712	17 X 12
TRC0578-1715	17 X 15
TRC0578-1717	17 X 17
TRC0578-1812	18 X 12
TRC0578-1815	18 X 15
TRC0578-1817	18 X 17
TRC0578-1915	19 X 15
TRC0578-1917	19 X 17
TRC0578-2015	20 X 15
TRC0578-2017	20 X 17
TRC0578-2115	21 X 15
TRC0578-2117	21 X 17
TRC0578-2215	22 X 15
TRC0578-2217	22 X 17



- NOTES:
1. N/S = NOT SHOWN
  2. PARTS IN ASSEMBLY SHOWN FOR KITTING PURPOSES ONLY. GLIDE BLOCKS ARE LOCATED DURING THE UPPER SEAT ASSEMBLY. LOCATION DEPENDS ON BACK SIZE AND THE USE OF LATERALS
  3. USE LOCTITE (2)
  4. WASHERS USED TO PROVIDE CLEARANCE FROM BACK PAN EDGE TRIM. USE AS REQUIRED

ITEM NO.	QTY.	PART NO.	DESCRIPTION	ITEM NO.	QTY.	PART NO.	DESCRIPTION
1A	1	TRX1195	CONTOUR BACK PAN, 17H	4 N/S	1	TRS0020	CONTOUR BACK CUSHION ASS'Y
1B N/S	1	TRX2741	CONTOUR BACK PAN, 15H	5	8	TRH0101	1/4" FLAT WASHER
1C N/S	1	TRX2740	CONTOUR BACK PAN, 12H	6	2	TRH0308	1/4"-20 x 5/8" BUTTON SOCKET CAP SCREW
2	4	TRX1728	ESR GLIDE BLOCK ASS'Y, CONTOUR BACK	7	2	TRH0429	1/4"-20 x 1/2" BUTTON SOCKET CAP SCREW
3 N/S	5ft	TRM0568	RUBBER EDGE TRIM, SMALL PROFILE				



**MATRIX SEATING SERIES**  
Effective February 2006



**MaTRX-V Base**

MaTRX-V Bases include cushion, inner & outer covers, built-in base and mounting hardware. (Please specify drop hook size 7/8" or 1" diameter, 1" or 2" drop ) Weight Capacity up to 250lbs

Model #	Model #	Fits Wheelchair	
Base	Extra Outer Cover	Width	Depth
MB1415-V	BC1415	14"	15",16"
MB1417-V	BC1417	14"	17",18"
MB1516-V	BC1516	15"	16",17"
MB1518-V	BC1518	15"	18",19"
MB1616-V	BC1616	16"	16",17"
MB1618-V	BC1618	16"	18",19"
MB1716-V	BC1716	17"	16",17"
MB1718-V	BC1718	17"	18",19"
MB1816-V	BC1816	18"	16",17"
MB1818-V	BC1818	18"	18",19"
MB1916-V	BC1916	19"	16",17"
MB1918-V	BC1918	19"	18",19"
MB2016-V	BC2016	20"	16",17"
MB2018-V	BC2018	20"	18",19"

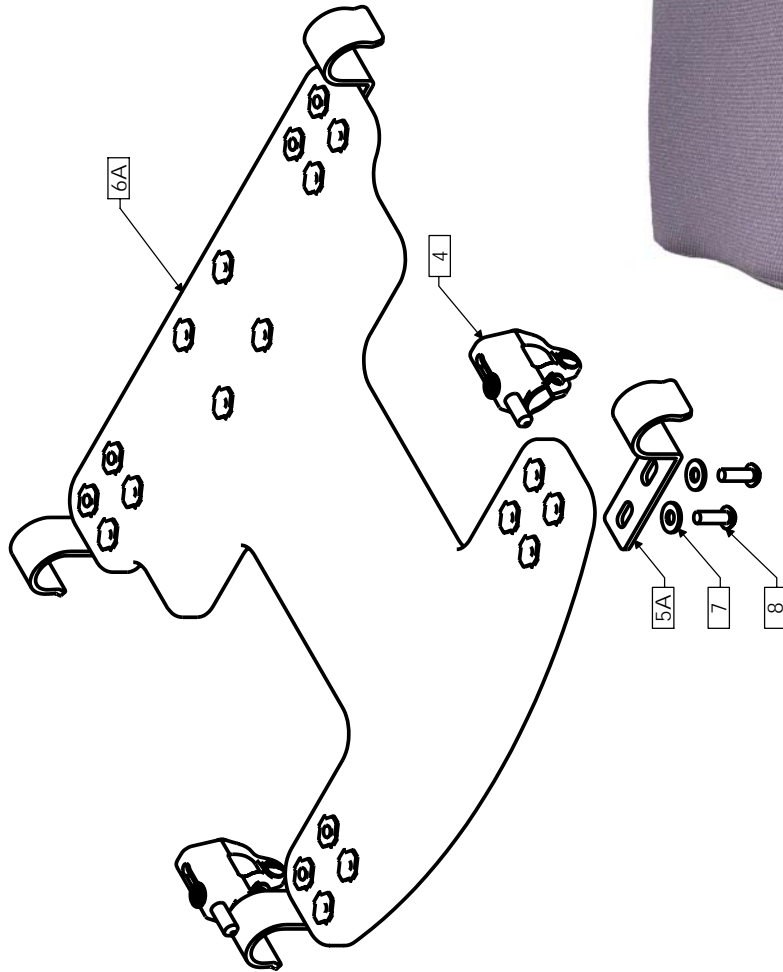
**Kidabra Base**

MaTRX-V Bases include cushion, inner & outer covers, built-in drop base and mounting hardware. (Please specify drop hook size 7/8" or 1" diameter, flush mount 0" or 1" drop). - Weight Capacity up to 150lbs

Model #	Model #	Fits Wheelchair	
Base	Extra Outer Cover	Width	Depth
KB1212-V	KBC1212	12"	12",13"
KB1214-V	KBC1214	12"	14",15"
KB1312-V	KBC1312	13"	12",13"
KB1314-V	KBC1314	13"	14",15"
KB1412-V	KBC1412	14"	12",13"
KB1414-V	KBC1414	14"	14",15"

ITEM NO.	QTY.	PART NO.	DESCRIPTION
1 N/S	1	TRS0008	MATrx OUTER SEAT COVER, DROP BASE SEAT
2 N/S	1	TRS0009	MATrx INNER SEAT COVER, DROP BASE SEAT
3 N/S	1	TRS0048	DROP BASE GLUED FOAM CUSHION
4	2	TRC0579	DURACLIP
5A	4	TRX2069-1	1" SEAT HANGER, 1" DROP
5B N/S	4	TRX2070-1	7/8" SEAT HANGER, 1" DROP
5C N/S	4	TRX2069-2	1" SEAT HANGER, 2" DROP
5D N/S	4	TRX2070-2	7/8" SEAT HANGER, 2" DROP
6A	1	TRX3568	DROP BASE SEAT FRAME ASSY, MATRX-V 16" DEPTH
6B N/S	1	TRX3567	DROP BASE SEAT FRAME ASSY, MATRX-V 15" DEPTH
6C N/S	1	TRX3569	DROP BASE SEAT FRAME ASSY, MATRX-V 17" DEPTH
6D N/S	1	TRX3570	DROP BASE SEAT FRAME ASSY, MATRX-V 18" DEPTH
6E N/S	1	TRX3565	DROP BASE SEAT FRAME ASSY, KIDABRA 12" DEPTH
6F N/S	1	TRX3566	DROP BASE SEAT FRAME ASSY, KIDABRA 14" DEPTH
7	8	TRH0101	1/4" FLAT WASHER
8	8	TRH0445	1/4-20 x 3/4" BUTTON SOCKET CAP SCREW

SPECIFICATIONS: AS AN ASSEMBLY, CUSHION MUST MEET MINIMUM REQUIREMENTS OF THE CALIFORNIA TECHNICAL BULLETIN #117



PART NUMBER	SIZE CONFIGURATION
TRS0016-1212	12W X 12D
TRS0016-1412	14W X 12D
TRS0016-1214	12W X 14D
TRS0016-1414	14W X 14D
TRS0016-1415	14W X 15D
TRS0016-1616	16W X 16D
TRS0016-1716	17W X 16D
TRS0016-1816	18W X 16D
TRS0016-1916	19W X 16D
TRS0016-2016	20W X 16D
TRS0016-1417	14W X 17D
TRS0016-1618	16W X 18D
TRS0016-1718	17W X 18D
TRS0016-1818	18W X 18D
TRS0016-1918	19W X 18D
TRS0016-2018	20W X 18D



TOP VIEW



BOTTOM VIEW



TORONTO, ONTARIO, CANADA

SCALE: NTS

DIMENSIONS IN: INCHES

DRAWN BY: DC

DATE: JULY 20, 2004

TOLERANCE (UNLESS OTHERWISE SPECIFIED)  
X ±.03 .XX ±.015 .XXX ±.005 ANGLES ±0.5°

DESCRIPTION: DROP BASE CUSHION ASS'Y

APPROVED BY:

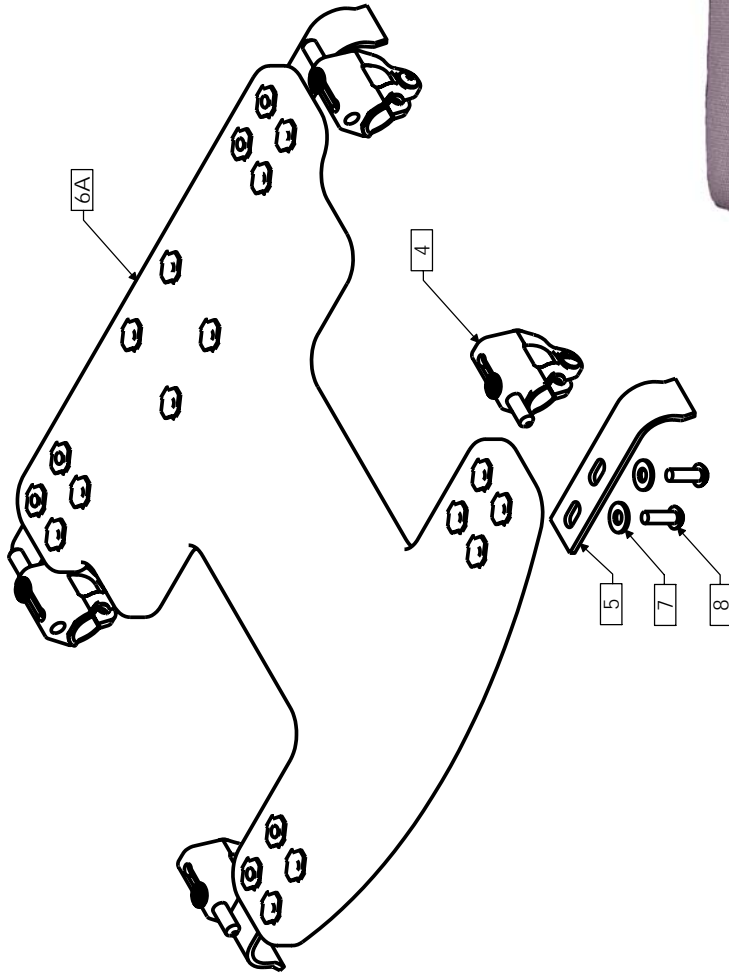
DWG NUMBER: TRS0016

REV 2

REV	DESCRIPTION	REV. BY	DATE
2	REMOVE FLUSH MOUNT HOOKS, ADD DURACLIPS	DC	12/07/05
1	ADD PEDIATRIC SIZES, UPDATE BILL OF MATERIAL	DC	04/28/05

ITEM NO.	QTY.	PART NO.	DESCRIPTION
1 N/S	1	TRS0008	MATrx OUTER SEAT COVER, DROP BASE SEAT
2 N/S	1	TRS0009	MATrx INNER SEAT COVER, DROP BASE SEAT
3 N/S	1	TRS0048	DROP BASE GLUED FOAM CUSHION
4	4	TRC0579	DURACLIP
5	4	TRX2650	FLUSH MOUNT DROP HOOK
6A	1	TRX3568	DROP BASE SEAT FRAME ASSY, MATRX-V 16" DEPTH
6B N/S	1	TRX3567	DROP BASE SEAT FRAME ASSY, MATRX-V 15" DEPTH
6C N/S	1	TRX3569	DROP BASE SEAT FRAME ASSY, MATRX-V 17" DEPTH
6D N/S	1	TRX3570	DROP BASE SEAT FRAME ASSY, MATRX-V 18" DEPTH
6E N/S	1	TRX3565	DROP BASE SEAT FRAME ASSY, KIDABRA 12" DEPTH
6F N/S	1	TRX3566	DROP BASE SEAT FRAME ASSY, KIDABRA 14" DEPTH
7	8	TRH0101	¼" FLAT WASHER
8	8	TRH0445	¼-20 x ¾" BUTTON SOCKET CAP SCREW

SPECIFICATIONS: AS AN ASSEMBLY, CUSHION MUST MEET MINIMUM REQUIREMENTS OF THE CALIFORNIA TECHNICAL BULLETIN #117



PART NUMBER	SIZE CONFIGURATION
TRS0059-1212	12W X 12D
TRS0059-1412	14W X 12D
TRS0059-1214	12W X 14D
TRS0059-1414	14W X 14D
TRS0059-1415	14W X 15D
TRS0059-1616	16W X 16D
TRS0059-1716	17W X 16D
TRS0059-1816	18W X 16D
TRS0059-1916	19W X 16D
TRS0059-2016	20W X 16D
TRS0059-1417	14W X 17D
TRS0059-1618	16W X 18D
TRS0059-1718	17W X 18D
TRS0059-1818	18W X 18D
TRS0059-1918	19W X 18D
TRS0059-2018	20W X 18D



BOTTOM VIEW



TOP VIEW



TORONTO, ONTARIO, CANADA

SCALE: NTS

DIMENSIONS IN: INCHES

TOLERANCE (UNLESS OTHERWISE SPECIFIED)

DRAWN BY: DC

DATE: DECEMBER 7, 2005

DESCRIPTION: DROP BASE CUSHION ASSY, FLUSH MOUNT

APPROVED BY:

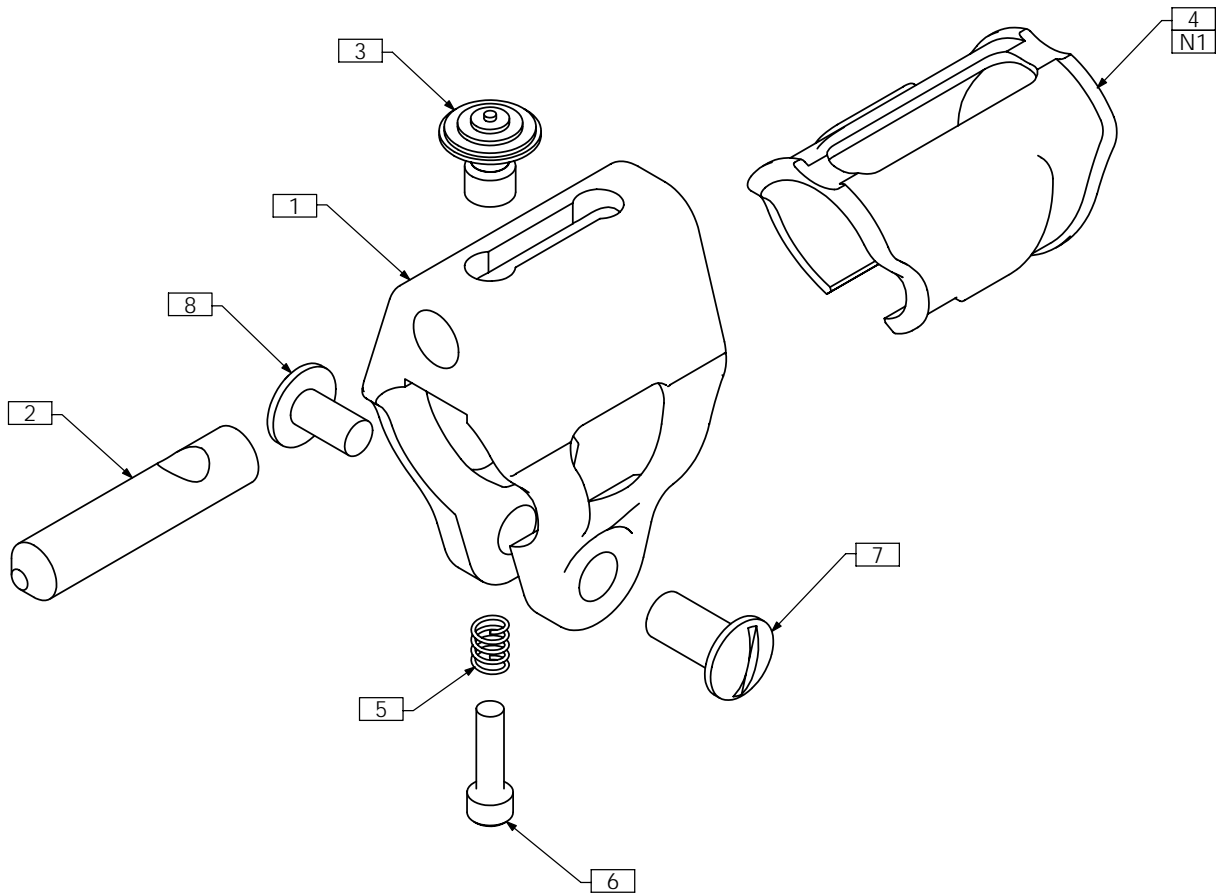
DWG NUMBER: TRS0059

REV 0

REV. BY DATE

DESCRIPTION

# TRC0579 - DURACLIP



**NOTES:**

1. ADAPTER SLEEVE USED FOR ADAPTING TO 7/8" TUBING - NOT REQUIRED FOR 1"

ITEM NO.	QTY.	PART NO.	DESCRIPTION
1	1	TRX3359	SEAT LOCK BODY
2	1	TRX3360	SLIDING BOLT
3	1	TRX3361	PLUNGER LOCK
4	1	TRX3362	ADAPTOR SLEEVE
5	1	TRX3578	SPRING
6	1	TRH0561	#6-32 x 1/2" SOCKET HEAD CAP SCREW GR8
7	1	TRH0576	#10-24 X 1/2" SLOT BARREL BOLT
8	1	TRH0577	#10-24 X 3/8" TRUSS PHILIPS MACHINE SCREW



**MATRX SEATING SERIES**  
Effective February 2006



**MaTRx-V Cushion**

MaTRX-V Cushions include inner & outer covers. Additional Extra covers are also available. - Weight Capacity up to 300 lbs.

Model #	Model #	Fits Wheelchair	
Cushion	Extra Outer Cover	Width	Depth
HCPCS code E2607	HCPCS code E2619		
MA1415-V	C1415	13",14"	15",16"
MA1417-V	C1417	13",14"	17",18"
MA1616-V	C1616	15",16"	16",17"
MA1618-V	C1618	15",16"	18",19"
MA1620-V	C1620	15",16"	20",21"
MA1816-V	C1816	17",18"	16",17"
MA1818-V	C1818	17",18"	18",19"
MA1820-V	C1820	17",18"	20",21"
MA2016-V	C2016	19",20"	16",17"
MA2018-V	C2018	19",20"	18",19"
MA2020-V	C2020	19",20"	20",21"

**MaTRx-V Cushion 22+ sizes**

Weight Capacity up to 300lbs

Model #	Model #	Fits Wheelchair	
Cushion	Extra Outer Cover	Width	Depth
HCPCS code E2608	HCPCS code E2619		
MA2218-V	C2218	21",22"	18",19"
MA2220-V	C2220	21",22"	20",21"

**Kidabra Cushion**

Kidabra cushions include inner & outer covers. Additional Extra covers are also available.- Weight Capacity up to 150 lbs

Model #	Model #	Fits Wheelchair	
Cushion	Extra Outer Cover	Width	Depth
KA1212-V	KC1212	11",12"	12",13"
KA1214-V	KC1214	11",12"	14",15"
KA1412-V	KC1412	13",14"	12",13"
KA1414-V	KC1414	13",14"	14",15"



**MATRIX SEATING SERIES**  
Effective February 2006



**MaTRx-V Heavy Duty Cushion\***

MaTRX-V Cushions include inner & outer covers. Additional Extra covers are also available. - Weight Capacity up to 650 lbs.

Model #	Model #	Specify	
Cushion	Extra Outer Cover	Width	Depth
HCPCS code pending	HCPCS code E2619		
MAWWDD-V	CWWDD	See chart	See chart

\* You must specify the width and depth that you require for these cushions. These cushions will take an additional 1 week lead time

MATRIX-V HEAVY DUTY CUSHION AND COVER SIZE										
	DEPTH									
	18	19	20	21	22	23	24	25	26	
WIDTH	18	S		S	X	X	X	X	X	X
	19				X	X	X	X	X	X
	20	S		S	X	X	X	X	X	X
	21				X	X	X	X	X	X
	22	S		S	X	X	X	X	X	X
	23	X	X	X	X	X	X	X	X	X
	24	X	X	X	X	X	X	X	X	X
	25	X	X	X	X	X	X	X	X	X
	26	X	X	X	X	X	X	X	X	X
	27	X	X	X	X	X	X	X	X	X
	28	X	X	X	X	X	X	X	X	X
	29	X	X	X	X	X	X	X	X	X
	30	X	X	X	X	X	X	X	X	X

X= Heavy Duty    S= Standard Size



**MATRX SEATING SERIES**  
**Effective February 2006**



**MaTRx-Flo-Tech Cushion**

Model #	Model #	Fits Wheelchair	
Cushion	Extra Outer Cover	Width	Depth
HCPCS code pending	HCPCS code pending		
FT1516	FTC1516	15	16
FT1517	FTC1517	15	17
FT1518	FTC1518	15	18
FT1519	FTC1519	15	19
FT1520	FTC1520	15	20
FT1521	FTC1521	15	21
FT1616	FTC1616	16	16
FT1617	FTC1617	16	17
FT1618	FTC1618	16	18
FT1619	FTC1619	16	19
FT1620	FTC1620	16	20
FT1621	FTC1621	16	21
FT1716	FTC1716	17	16
FT1717	FTC1717	17	17
FT1718	FTC1718	17	18
FT1719	FTC1719	17	19
FT1720	FTC1720	17	20
FT1721	FTC1721	17	21
FT1816	FTC1816	18	16
FT1817	FTC1817	18	17
FT1818	FTC1818	18	18
FT1819	FTC1819	18	19
FT1820	FTC1820	18	20
FT1821	FTC1821	18	21
FT1916	FTC1916	19	16
FT1917	FTC1917	19	17
FT1918	FTC1918	19	18
FT1919	FTC1919	19	19
FT1920	FTC1920	19	20
FT1921	FTC1921	19	21
FT2016	FTC2016	20	16
FT2017	FTC2017	20	17
FT2018	FTC2018	20	18

**Modifications**

Includes modification of cushion, inner & outer covers of cushion model specified.

Model #	Modification	Description
SDR1	Seat Depth Reduction*	Cushion Depth Less 1"
SDR2	Seat Depth Reduction*	Cushion Depth Less 2"
SDR3	Seat Depth Reduction*	Cushion Depth Less 3"
SDR4	Seat Depth Reduction*	Cushion Depth Less 4"
LLDR1	Leg Length Discrepancy*	Cushion Depth User's Right Less 1"
LLDR2	Leg Length Discrepancy*	Cushion Depth User's Right Less 2"
LLDL1	Leg Length Discrepancy*	Cushion Depth User's Left Less 1"
LLDL2	Leg Length Discrepancy*	Cushion Depth User's Left Less 2"
ECM	Extra Outer Cover - Modification*	Accommodates LLD/SDR
*Available on MaTRX-V/Kidabra cushions only - not bases		
POK	Pelvic Obliquity Kit	Accommodates 1/2" and 1" obliquities
MAC	Miscellaneous Modification	Special Request - requires approval
PBVF	Posture Back Foam Modification	ViscoFoam option
FIP	Foam-in-Place Kit (For MaTRx Posture Back)	Chemical kit for custom foam mould
HDU	Heavy Duty Hardware Upgrade	Replace standard mounting hardware on Posture Backs or Elite Backs
CIC	Extra Inner Cover	Available for MaTRx Cushions and Bases
NSF	Non-Standard Fabric Selection**	Optional Kidabra or Black Fabric

\*\*You may select fabric of seating products - adds additional 1 week lead time.

**Accessories**

Model #	Accessory	Description
MPA-D	Multi Position Arm Pad (each)	Desk Length
MPA-F	Multi Position Arm Pad (each)	Full Length
GAP-N	Gel Arm Pad (each)	2" x 12"
GAP-W	Gel Arm Pad (each)	3.5" x 12"
EAH-R	Ergonomic Arm Trough/ Hand Pad kit* (each) HCPCS K0106	User's Right
EAH-L	Ergonomic Arm Trough/ Hand Pad kit* (each) HCPCS K0106	User's Left
EAT-R	Ergonomic Arm Trough (each) HCPCS K0106	User's Right
EAT-L	Ergonomic Arm Trough (each) HCPCS K0106	User's Left
EHP	Ergonomic Hand Pad (each)	User's Right / Left

\* HCPCS K0106 - for Ergonomic Arm Trough Only



**MATRIX SEATING SERIES  
US PRICE LIST  
Effective February 2006**



**Hardware**

Model #	Hardware	Description
BDH0	Base Drop Hooks (per pair)	Flushmount(0") drop for 7/8" or 1" diameter
BDH1-78	Base Drop Hooks (per pair)	1" drop for 7/8" diameter
BDH2-78		2" drop for 7/8" diameter
BDH1-1	Base Drop Hooks (per pair)	1" drop for 1" diameter
BDH2-1		2" drop for 1" diameter
EMH	Arm Trough/Hand Pad Mounting Hardware	For Motion Concepts Hand Pad
EMO		For Otto Bock Hand Pads
PBMH	Posture Back Mounting Hardware (per pair)	Complete Mounting assembly for Posture Back
HDMH	Heavy Duty PB Mounting Hardware(per pair)	Mounting Hardware Assembly for Heavy Duty Posture Back
PBCR	Posture Back Cane Replacement (per pair)	1" diameter back cane replacement kit
PBCI	Posture Back Cane Clamp Insert (per pair)	Insert for use with 3/4" Back Canes
ESRMH	ESR Mounting Hardware	Allows PB Back to be mounted to Motion Concepts TRx-Powered Seating with ESR
BDC	DuraClip (per pair)	Top lock hardware for use with drop hooks
PBLS	Pelvic/Thoracic Lateral Supports (per pair)	Lateral supports for use on PB Elite Back

\*A no charge item when ordering a MaTRx Posture Back

\*\*A no charge option with a TRx-Power Seating system.