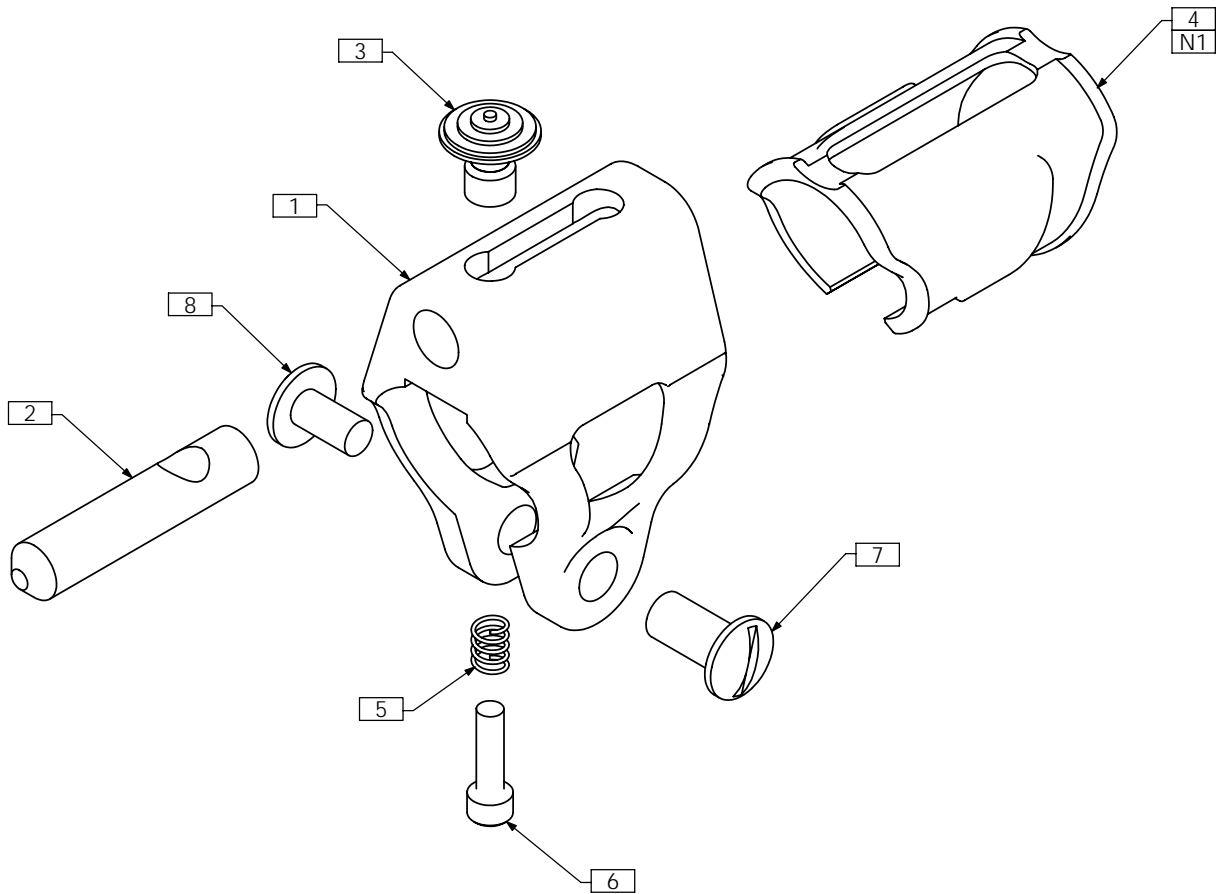


TRC0579 - DURACLIP



NOTES:

1. ADAPTER SLEEVE USED FOR ADAPTING TO 7/8" TUBING - NOT REQUIRED FOR 1"

ITEM NO.	QTY.	PART NO.	DESCRIPTION
1	1	TRX3359	SEAT LOCK BODY
2	1	TRX3360	SLIDING BOLT
3	1	TRX3361	PLUNGER LOCK
4	1	TRX3362	ADAPTOR SLEEVE
5	1	TRX3578	SPRING
6	1	TRH0561	#6-32 x 1/2" SOCKET HEAD CAP SCREW GR8
7	1	TRH0576	#10-24 X 1/2" SLOT BARREL BOLT
8	1	TRH0577	#10-24 X 3/8" TRUSS PHILIPS MACHINE SCREW