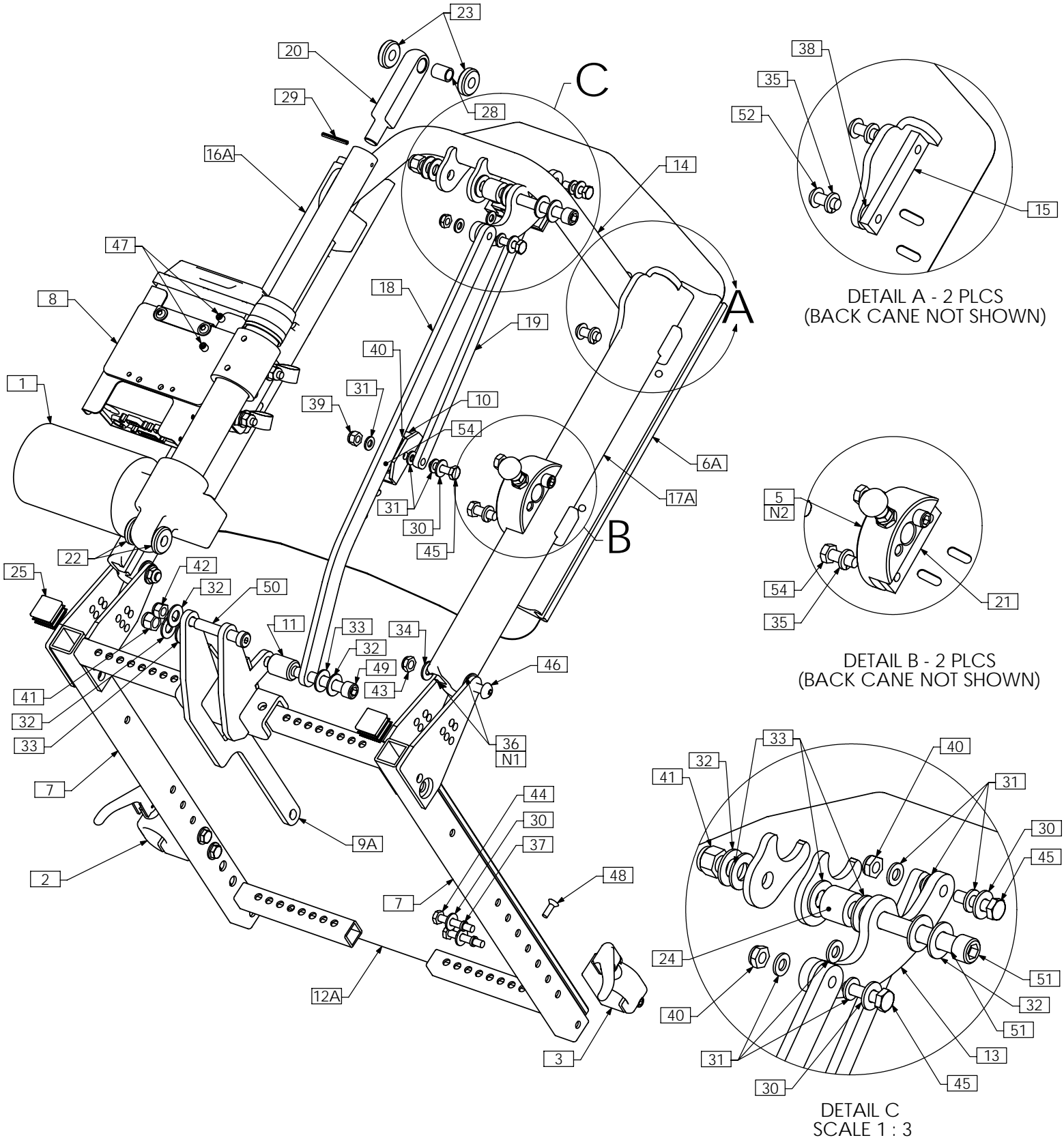


TRC0618 - UPPER SEAT ASS'Y, RECLINE-ONLY w/ESR



DETAIL A - 2 PLCS
(BACK CANE NOT SHOWN)

DETAIL B - 2 PLCS
(BACK CANE NOT SHOWN)

DETAIL C
SCALE 1 : 3

NOTE: THIS ASSEMBLY DRAWING CAN BE USED AS A REFERENCE FOR STANDARD AND MEDIUM DEPTH APPLICATION RECLINE AND ESR UPPER SEAT ASSEMBLIES. SPECIAL PIVOT/MAXIMUM RECLINE AND LOW BACK SEAT SIDE FRAMES ARE NOT USED FOR LOW-PRO APPLICATIONS. REFER TO TRC0407 - SEAT SIDE SELECTION PAGE OF PARTS MANUAL