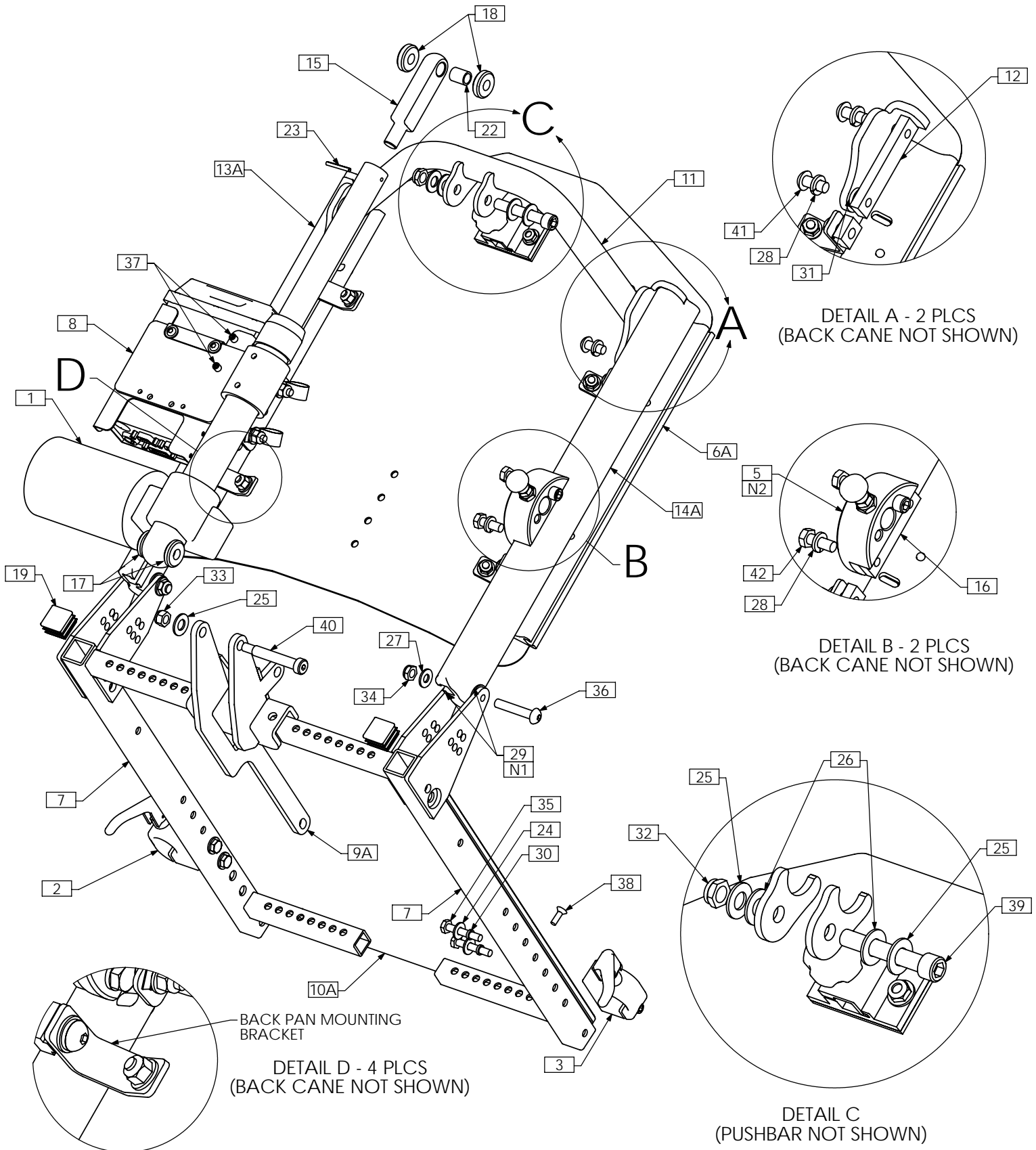


TRC0617 - UPPER SEAT ASS'Y, RECLINE-ONLY



NOTE: THIS ASSEMBLY DRAWING CAN BE USED AS A REFERENCE FOR STANDARD AND MEDIUM DEPTH APPLICATION RECLINE UPPER SEAT ASSEMBLIES. SPECIAL PIVOT/MAXIMUM RECLINE AND LOW BACK SEAT SIDE FRAMES ARE NOT USED FOR LOW-PRO APPLICATIONS. REFER TO TRC0407 - SEAT SIDE SELECTION PAGE OF PARTS MANUAL

TRC0617 - UPPER SEAT ASS'Y, RECLINE-ONLY

ITEM NO.	QTY.	PART NO.	DESCRIPTION
1	1	TRA0489	ACTUATOR, 5" STROKE, STD END
2	1	TRC0243	FRONT ARMREST RECEIVER ASS'Y, LEFT
3	1	TRC0244	FRONT ARMREST RECEIVER ASS'Y, RIGHT
4A N/S	1	TRC0294	LEGREST RECEIVER SELECTION
4B N/S	1	TRC0551	CENTER MOUNT LEGREST RECEIVER SELECTION
5	2	TRC0329	REAR ARMREST RECEIVER ASS'Y
6A	1	TRC0519	CURVED RIGID BACK, RECLINE
6B N/S	1	TRC0336	RECESSED PLANAR BACK, RECLINE
6C N/S	1	TRC0337	CONTOUR BACK, RECLINE
7	1	TRC0407	SEAT SIDE FRAME SELECTION
8	1	TRC0524	RELAY BOX MOUNT ASS'Y
9A	1	TRX0169	RECLINE BRACKET ASS'Y
9B N/S	1	TRX1034	RECLINE BRACKET ASS'Y
9C N/S	1	TRX1151	RECLINE BRACKET ASS'Y
10A	1	TRX0393	SEAT PAN 14"-18" WIDTHS
10B N/S	1	TRX0394	SEAT PAN, 19"-25" WIDTHS
11	1	TRX0640	PUSH BAR ASS'Y
12	2	TRX0679	CLAMPING BAR
13A	1	TRX0709	EXTRUDED BACK CANE ASS'Y, 19"-22", LEFT
13B N/S	1	TRX0711	EXTRUDED BACK CANE ASS'Y, 23"-27", LEFT
14A	1	TRX0710	EXTRUDED BACK CANE ASS'Y, 19"-22", RIGHT
14B N/S	1	TRX0712	EXTRUDED BACK CANE ASS'Y, 23" - 27", RIGHT
15	1	TRX1148-388	ROD END
16	2	TRX1561	CLAMPING BAR
17	2	TRX1669-0237	SPACER, 3/8 X 1
18	2	TRX1669-0290	SPACER, 3/8 X 1
19	2	TRM0107	SQUARE TUBE CAP
20 N/S	1	TRM0208	BACK FLAP, VARIOUS SIZES
21 N/S	1	TRM0215	RECLINE ACTUATOR SHROUD, HELIX
22	1	TRH0005	BUSHING 0.375 I.D X 0.500 O.D X 0.625 LG
23	1	TRH0034	SLOTTED SPRING, TENSION PIN 0.125 x 1.125
24	4	TRH0101	¼" FLAT WASHER
25	3	TRH0104	3/8" FLAT WASHER
26	2	TRH0105	3/8" NYLON WASHER
27	2	TRH0107	5/16" FLAT WASHER
28	8	TRH0108	5/16" LOCK WASHER
29	4	TRH0109	5/16" NYLON WASHER
30	4	TRH0113	¼" HI COLLAR LOCK WASHER
31	2	TRH0124	5/16" x 5/8" OD x 0.120" TH FLAT WASHER
32	1	TRH0205	3/8-16 SHALLOW NYLOC NUT
33	1	TRH0206	5/16-18 NYLOC NUT
34	2	TRH0207	5/16-18 SHALLOW NYLOC NUT
35	4	TRH0301	¼-20 x 1½" HEX HEAD CAP SCREW
36	2	TRH0321	5/16-18 x 1¾" BUTTON SOCKET CAP SCREW
37	2	TRH0336	SET SCREW, 0.25 x 0.25
38	4	TRH0339	#10-32 x 5/8" FLAT SOCKET CAP SCREW
39	1	TRH0348	3/8-16 x 2¼" SOCKET HEAD CAP SCREW GR8
40	1	TRH0379	3/8 x 2" SOCKET HEAD SHOULDER BOLT
41	4	TRH0421	5/16-18 x ¾" BUTTON SOCKET CAP SCREW
42	4	TRH0507	5/16-18 x 7/8" HEX HEAD CAP SCREW

NOTES:

1. N/S = NOT SHOWN
2. SEE TRC0329 FOR EXTENDED REAR RECEIVER ASS'Y USED WITH LATERALS