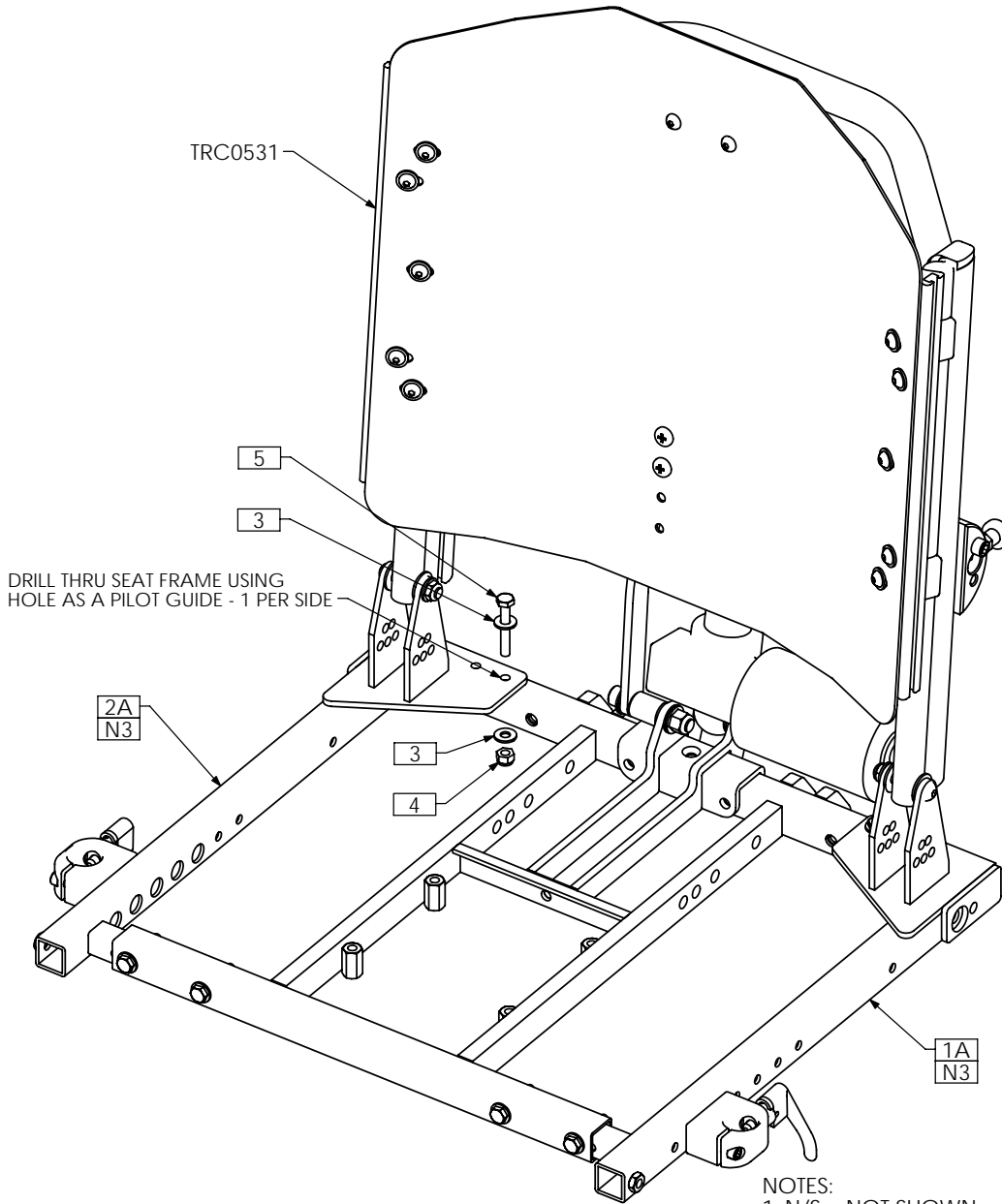


UPPER SEATING SUPPLEMENTS



TRC0591 - UPPER SEAT ASS'Y SUPPLEMENT, ENDOMORPH BACK, 1" FORWARD, RECLINE

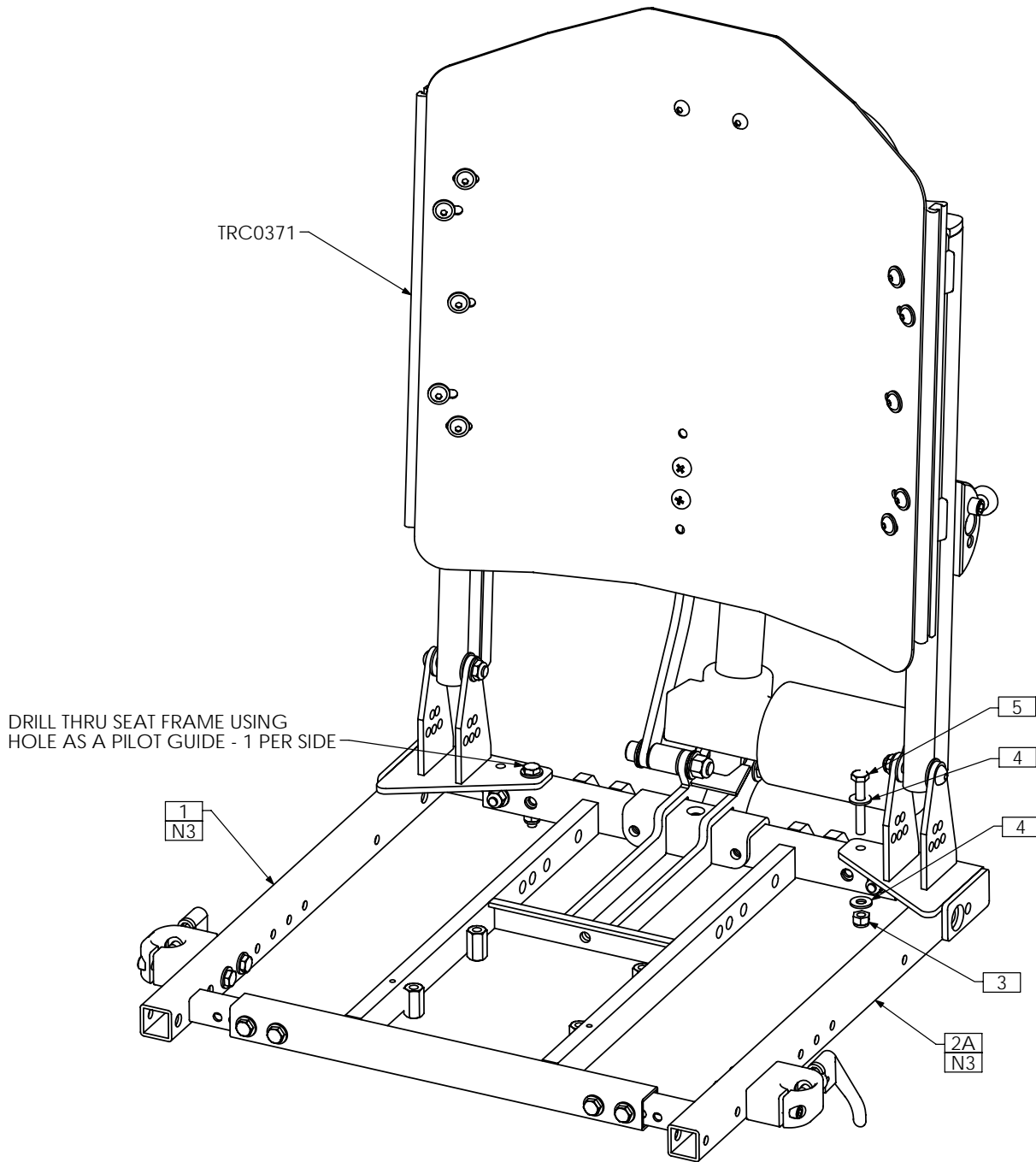


NOTES:

1. N/S = NOT SHOWN
2. THIS SUPPLEMENT APPLIES FOR ALL 1" FORWARD UPPER SEAT ASSEMBLIES. RECLINE AND ESR SHOWN AS AN EXAMPLE ONLY.
3. 1" OFF-SET SHOWN - STANDARD DEPTH. ITEMS 1B AND 2B ARE USED FOR 2" OFF-SET - STANDARD DEPTH. ITEMS 1C AND 2C ARE USED FOR 1" OFF-SET - MEDIUM DEPTH. ITEMS 1D AND 2D ARE USED FOR 2" OFF-SET - MEDIUM DEPTH

ITEM NO.	QTY.	PART NO.	DESCRIPTION
1A	1	TRX3583	SEAT SIDE WLD, LEFT
1B N/S	1	TRX3586	SEAT SIDE WLD, LEFT
1C N/S	1	TRX3588	MED SEAT SIDE WLD, LEFT
1D N/S	1	TRX3590	MED SEAT SIDE WLD, LEFT
2A	1	TRX3584	SEAT SIDE WLD, RIGHT
2B N/S	1	TRX3587	SEAT SIDE WLD, RIGHT
2C N/S	1	TRX3589	MED SEAT SIDE WLD, RIGHT
2D N/S	1	TRX3591	MED SEAT SIDE WLD, RIGHT
3	4	TRH0101	¼" FLAT WASHER
4	2	TRH0201	¼-20 NYLOC NUT
5	2	TRH0302	¼-20 x 1¾" HEX HEAD CAP SCREW

TRC0512 - UPPER SEAT ASS'Y SUPPLEMENT, ENDOMORPH BACK, RECLINE

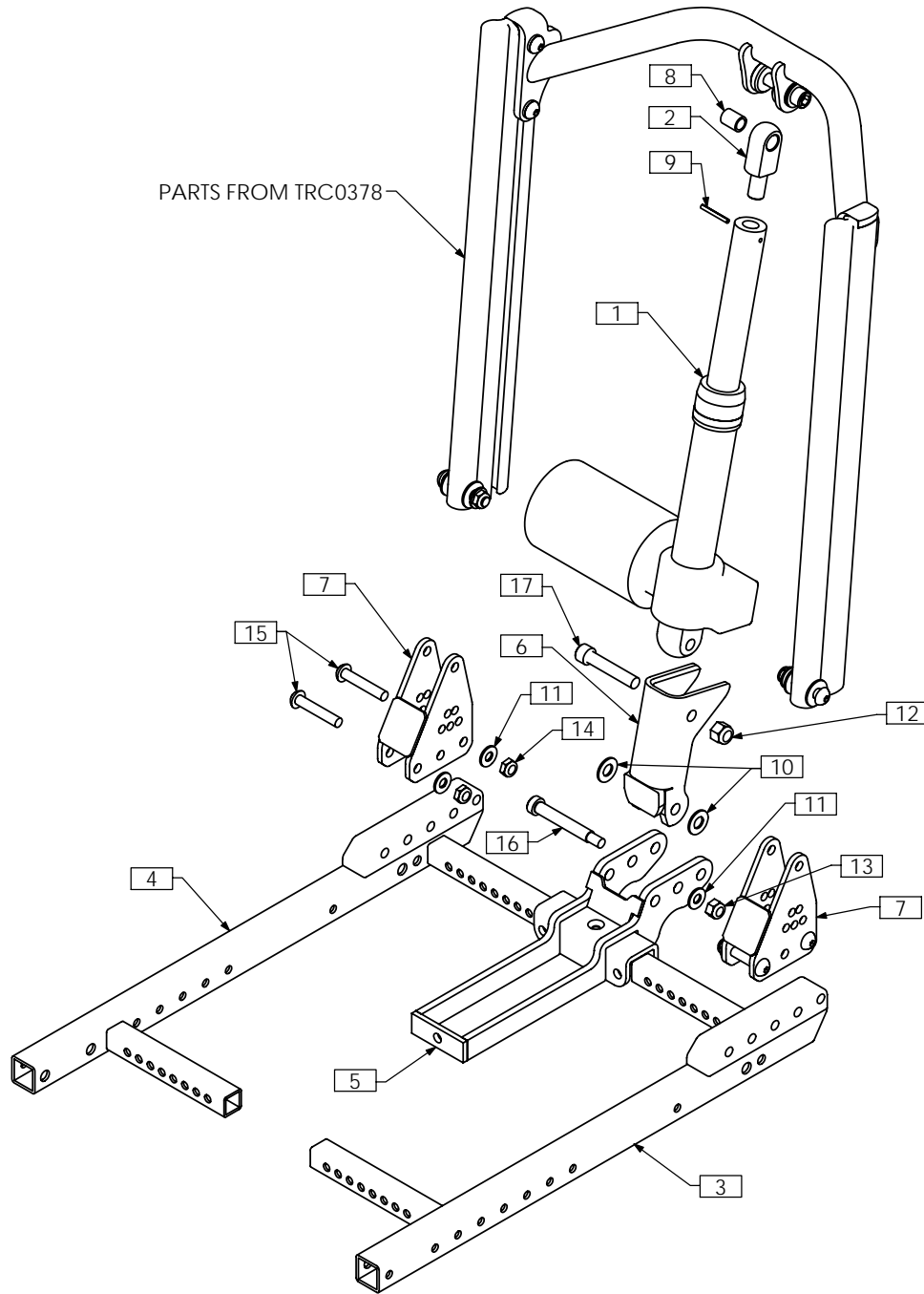


NOTES:

1. N/S = NOT SHOWN
2. THIS SUPPLEMENT APPLIES FOR ALL UPPER SEAT ASSEMBLIES. RECLINE AND ESR SHOWN AS AN EXAMPLE ONLY
3. 1" OFF-SET SHOWN. USE ITEMS 1B AND 2B FOR 2" OFF-SET

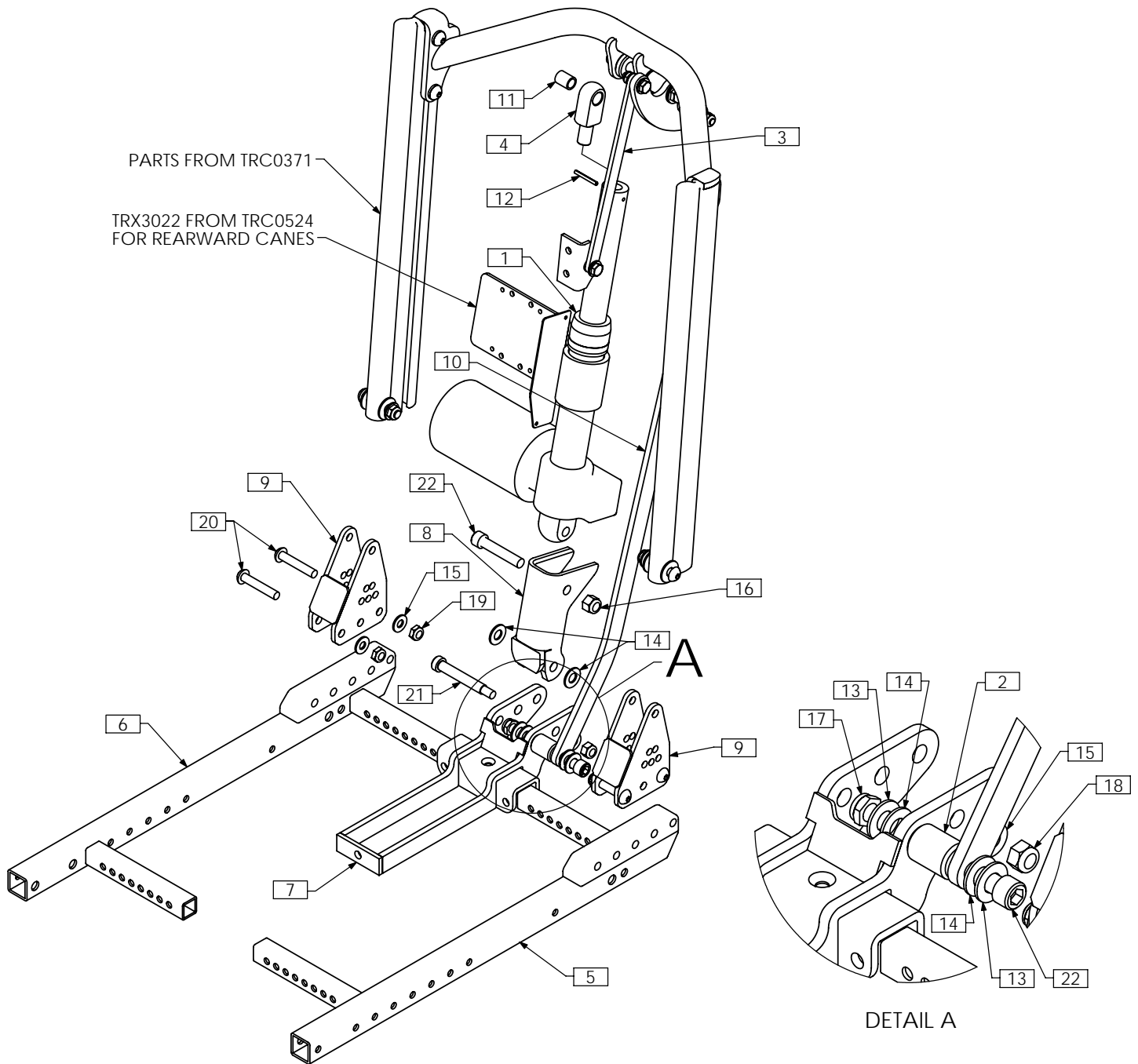
ITEM NO.	QTY.	PART NO.	DESCRIPTION
1	1	TRX2669	SEAT SIDE WLD, RIGHT
1B N/S	1	TRX2671	SEAT SIDE WLD, RIGHT
2A	1	TRX2670	SEAT SIDE WLD, LEFT
2B N/S	1	TRX2672	SEAT SIDE WLD, LEFT
3	4	TRH0101	1/4" FLAT WASHER
4	2	TRH0201	1/4-20 NYLOC NUT
5	2	TRH0302	1/4-20 x 1 1/4" HEX HEAD CAP SCREW

TRC0547 - UPPER SEAT ASS'Y SUPPLEMENT, ADJUSTABLE DEPTH BACK, RECLINE



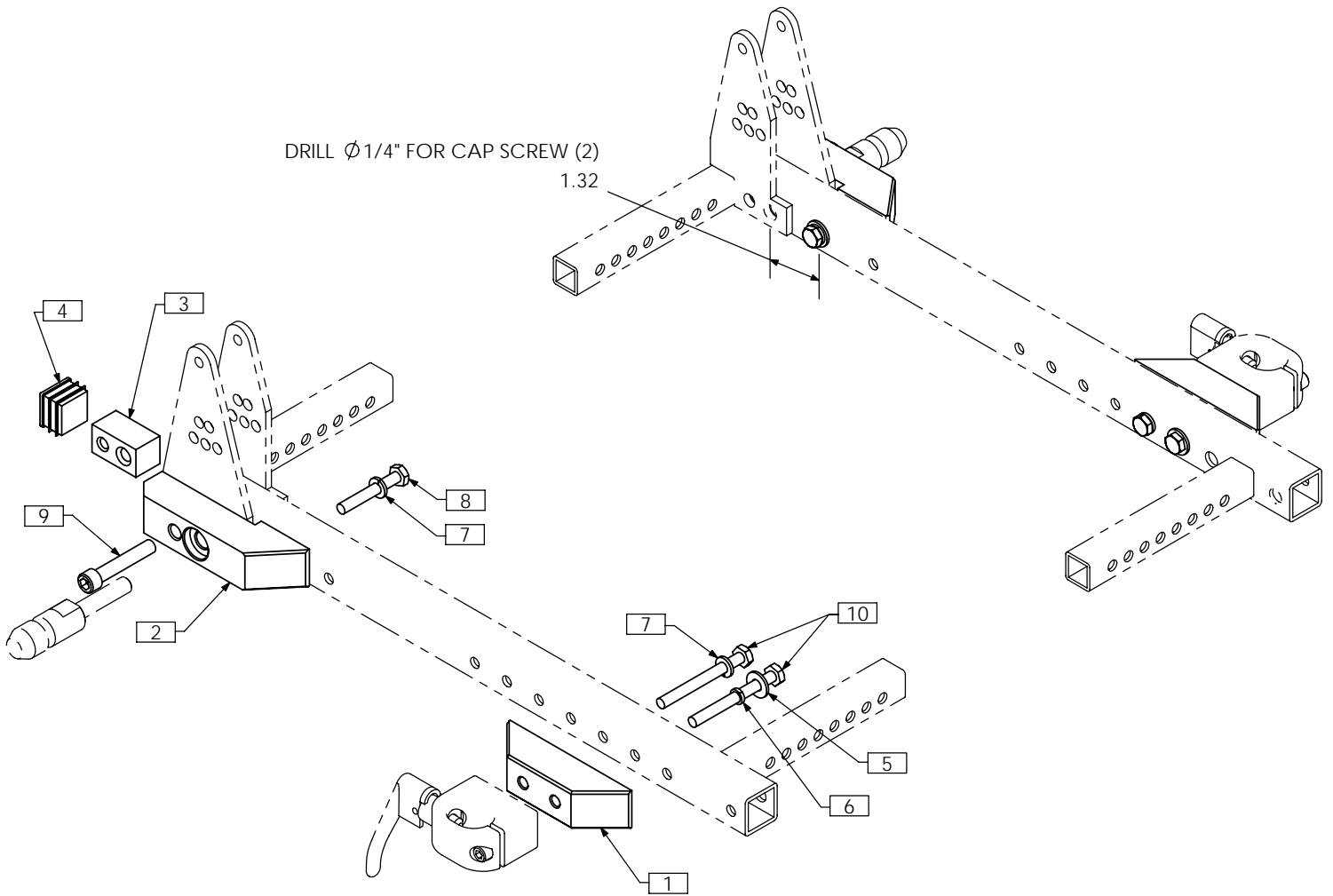
ITEM NO.	QTY.	PART NO.	DESCRIPTION	ITEM NO.	QTY.	PART NO.	DESCRIPTION
1	1	TRA0440	ACTUATOR, 4" STROKE	10	2	TRH0105	3/8" NYLON WASHER
2	1	TRX1148-250	ROD END	11	5	TRH0107	5/16" FLAT WASHER
3	1	TRX2909	LEFT SIDE FRAME WLD	12	1	TRH0204	3/8-16 NYLOC NUT
4	1	TRX2910	RIGHT SIDE FRAME WLD	13	1	TRH0206	5/16-18 NYLOC NUT
5	1	TRX2914	ADJUSTABLE RECLINE BRACKET	14	4	TRH0207	5/16-18 SHALLOW NYLOC NUT
6	1	TRX2917	ACTUATOR EXTENSION WLD	15	4	TRH0321	5/16-18 x 1 3/4" BUTTON SOCKET CAP SCREW
7	2	TRX2921	BACKCANE MOUNTING BRACKET WLD	16	1	TRH0414	3/8 x 2 1/4" SOCKET HEAD SHOULDER BOLT
8	1	TRH0005	3/8"ID x 1/2"OD x 5/8" BRONZE BUSHING	17	1	TRH0477	3/8-16 x 2" SOCKET HEAD CAP SCREW GR8
9	1	TRH0034	SLOTTED SPRING, TENSION PIN 0.125 x 1.125				

TRC0548 - UPPER SEAT ASS'Y SUPPLEMENT, ADJUSTABLE DEPTH BACK, RECLINE AND ESR



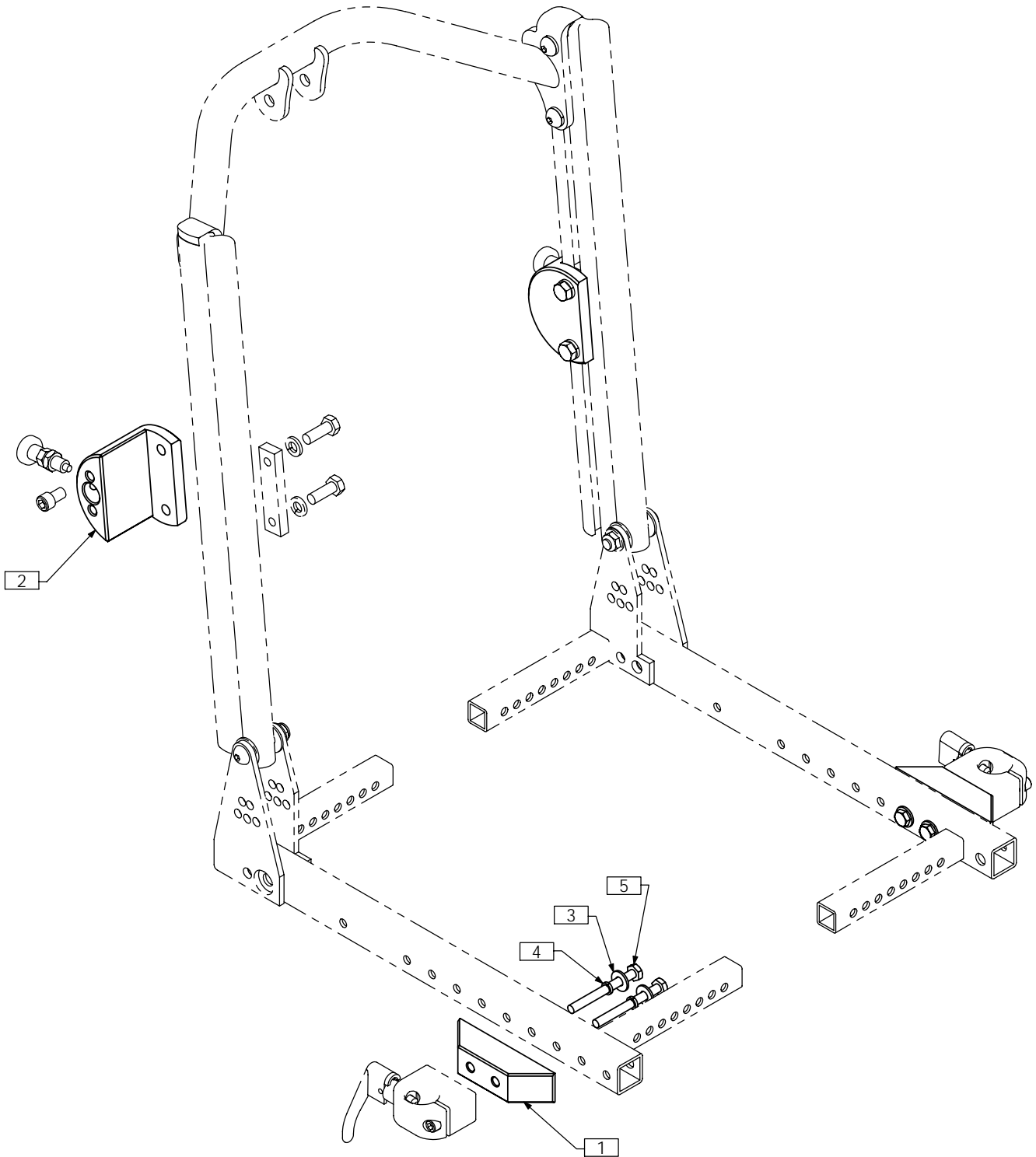
ITEM NO.	QTY.	PART NO.	DESCRIPTION	ITEM NO.	QTY.	PART NO.	DESCRIPTION
1	1	TRA0440	ACTUATOR, 4" STROKE	12	1	TRH0034	SLOTTED SPRING, TENSION PIN 0.125 x 1.125
2	1	TRX0332	SPACER	13	2	TRH0104	3/8" FLAT WASHER
3	1	TRX0994	BACK PAN LINK	14	4	TRH0105	3/8" NYLON WASHER
4	1	TRX1148-250	ROD END	15	5	TRH0107	5/16" FLAT WASHER
5	1	TRX2909	LEFT SIDE FRAME WLD	16	1	TRH0204	3/8-16 NYLOC NUT
6	1	TRX2910	RIGHT SIDE FRAME WLD	17	1	TRH0205	3/8-16 SHALLOW NYLOC NUT
7	1	TRX2914	ADJUSTABLE RECLINE BRACKET	18	1	TRH0206	5/16-18 NYLOC NUT
8	1	TRX2917	ACTUATOR EXTENSION WLD	19	4	TRH0207	5/16-18 SHALLOW NYLOC NUT
9	2	TRX2921	BACKCANE MOUNTING BRACKET WLD	20	4	TRH0321	5/16-18 x 1 3/4" BUTTON SOCKET CAP SCREW
10	1	TRX2967	ESR ANGLED LINK	21	1	TRH0414	3/8 x 2 1/4" SOCKET HEAD SHOULDER BOLT
11	1	TRH0005	3/8"ID x 1/2"OD x 5/8" BRONZE BUSHING	22	2	TRH0477	3/8-16 x 2" SOCKET HEAD CAP SCREW GR8

TRC0514 - TILT ARMREST OFFSET ASS'Y, 1" PER SIDE



ITEM NO.	QTY.	PART NO.	DESCRIPTION
1	2	TRX1720	RECEIVER EXTENSION
2	2	TRX1721	MOUNTING PIN EXTENSION
3	2	TRX1742	MOUNTING PIN INSERT
4	2	TRM0107	SQUARE TUBE CAP
5	4	TRH0101	1/4" FLAT WASHER
6	2	TRH0113	1/4" HI COLLAR LOCK WASHER
7	4	TRH0115	1/4" LOCK WASHER
8	2	TRH0302	1/4-20 x 1 3/4" HEX HEAD CAP SCREW
9	2	TRH0315	5/16-18 x 1 3/4" SOCKET HEAD CAP SCREW GR8
10	4	TRH0433	1/4-20 x 2 1/2" HEX HEAD CAP SCREW

TRC0515 - RECLINE ARMREST OFFSET ASS'Y, 1" PER SIDE



ITEM NO.	QTY.	PART NO.	DESCRIPTION
1	2	TRX1720	RECEIVER EXTENSION
2	2	TRX1828	ARMREST REAR RECEIVER, 1" OFFSET
3	4	TRH0101	¼" FLAT WASHER
4	4	TRH0113	¼" HI COLLAR LOCK WASHER
5	4	TRH0433	¼-20 x 2½" HEX HEAD CAP SCREW