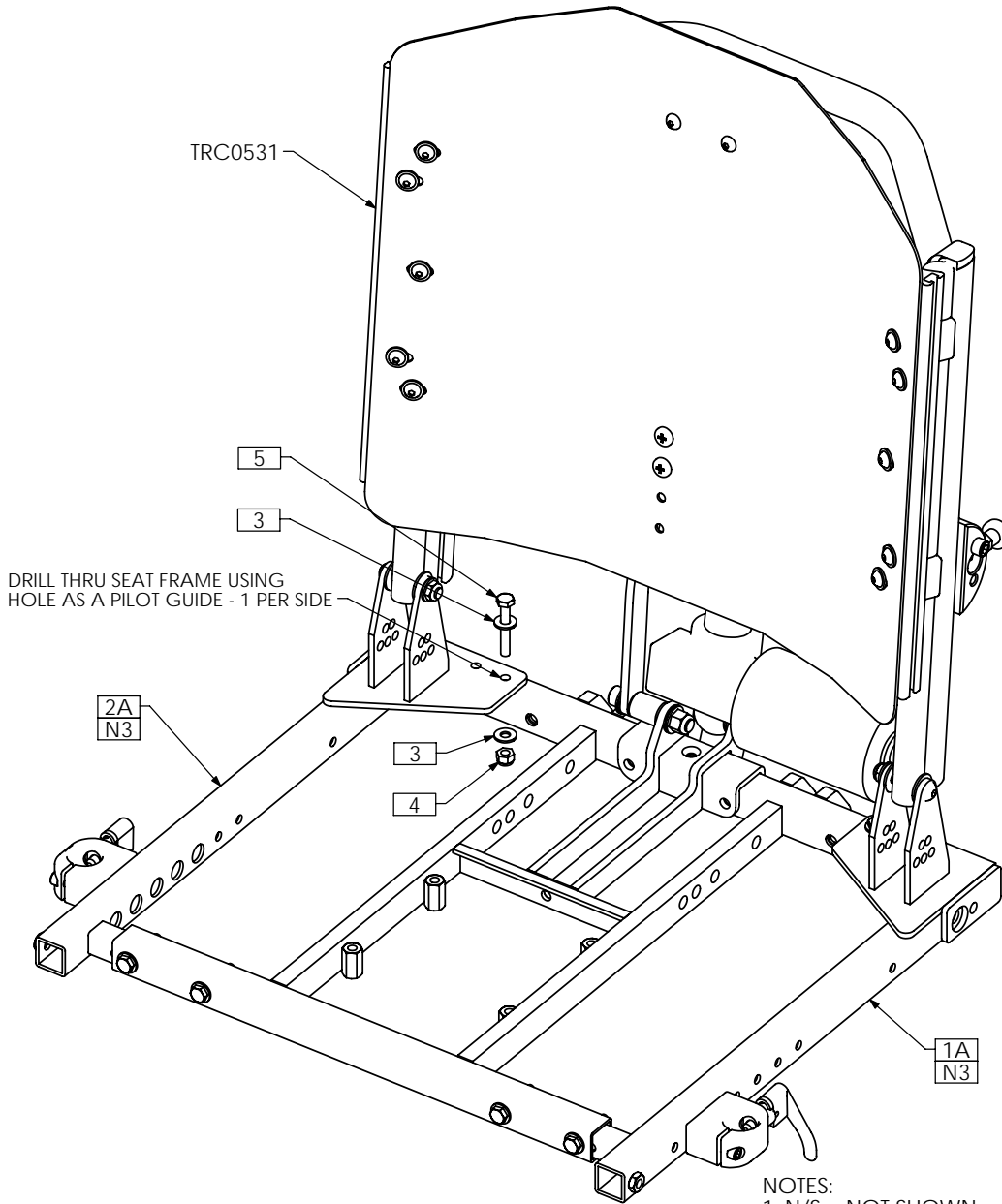


TRC0591 - UPPER SEAT ASS'Y SUPPLEMENT, ENDOMORPH BACK, 1" FORWARD, RECLINE



NOTES:

1. N/S = NOT SHOWN
2. THIS SUPPLEMENT APPLIES FOR ALL 1" FORWARD UPPER SEAT ASSEMBLIES. RECLINE AND ESR SHOWN AS AN EXAMPLE ONLY.
3. 1" OFF-SET SHOWN - STANDARD DEPTH. ITEMS 1B AND 2B ARE USED FOR 2" OFF-SET - STANDARD DEPTH. ITEMS 1C AND 2C ARE USED FOR 1" OFF-SET - MEDIUM DEPTH. ITEMS 1D AND 2D ARE USED FOR 2" OFF-SET - MEDIUM DEPTH

ITEM NO.	QTY.	PART NO.	DESCRIPTION
1A	1	TRX3583	SEAT SIDE WLD, LEFT
1B N/S	1	TRX3586	SEAT SIDE WLD, LEFT
1C N/S	1	TRX3588	MED SEAT SIDE WLD, LEFT
1D N/S	1	TRX3590	MED SEAT SIDE WLD, LEFT
2A	1	TRX3584	SEAT SIDE WLD, RIGHT
2B N/S	1	TRX3587	SEAT SIDE WLD, RIGHT
2C N/S	1	TRX3589	MED SEAT SIDE WLD, RIGHT
2D N/S	1	TRX3591	MED SEAT SIDE WLD, RIGHT
3	4	TRH0101	¼" FLAT WASHER
4	2	TRH0201	¼-20 NYLOC NUT
5	2	TRH0302	¼-20 x 1¾" HEX HEAD CAP SCREW