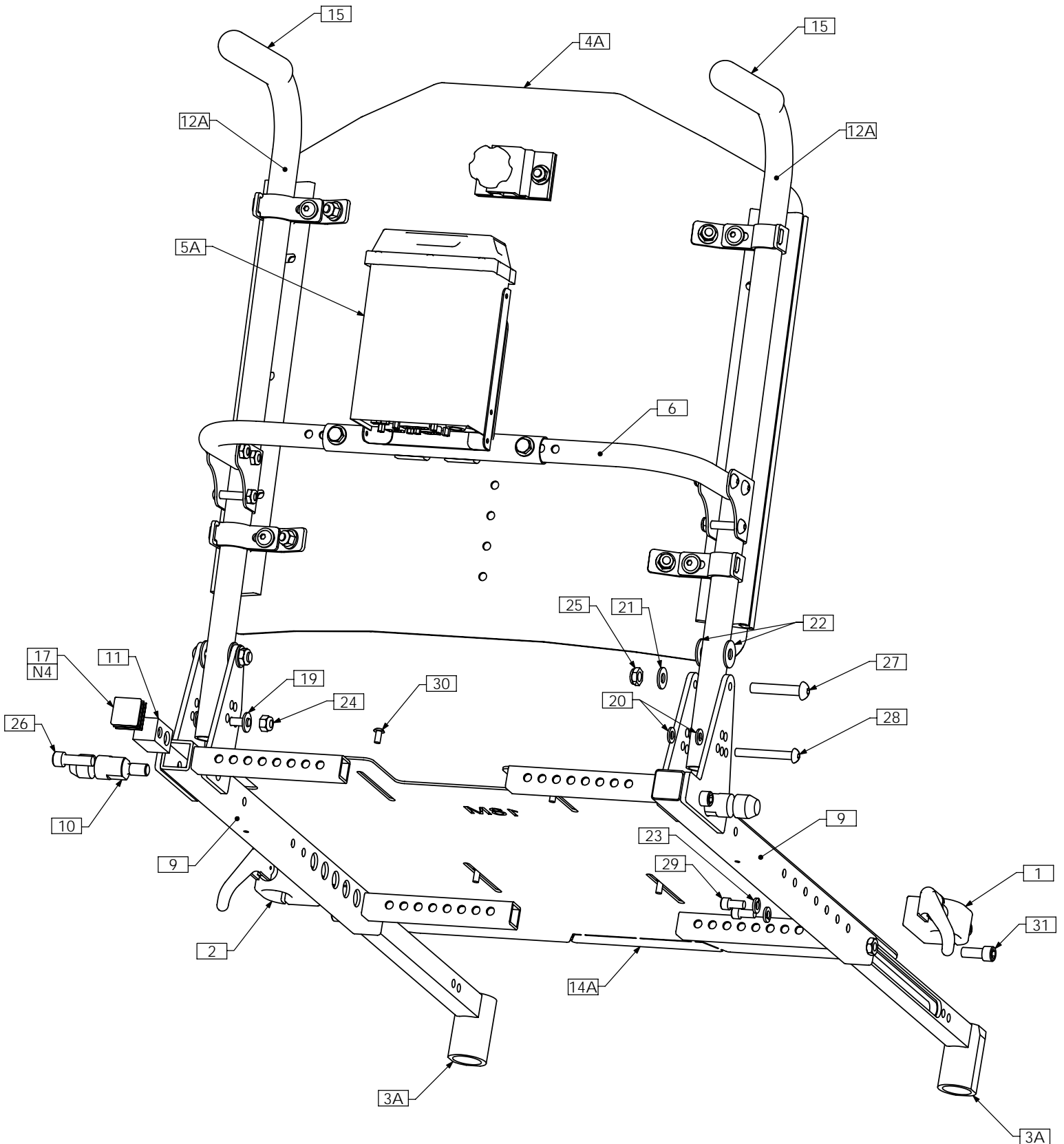


# UPPER SEATING TILT ONLY

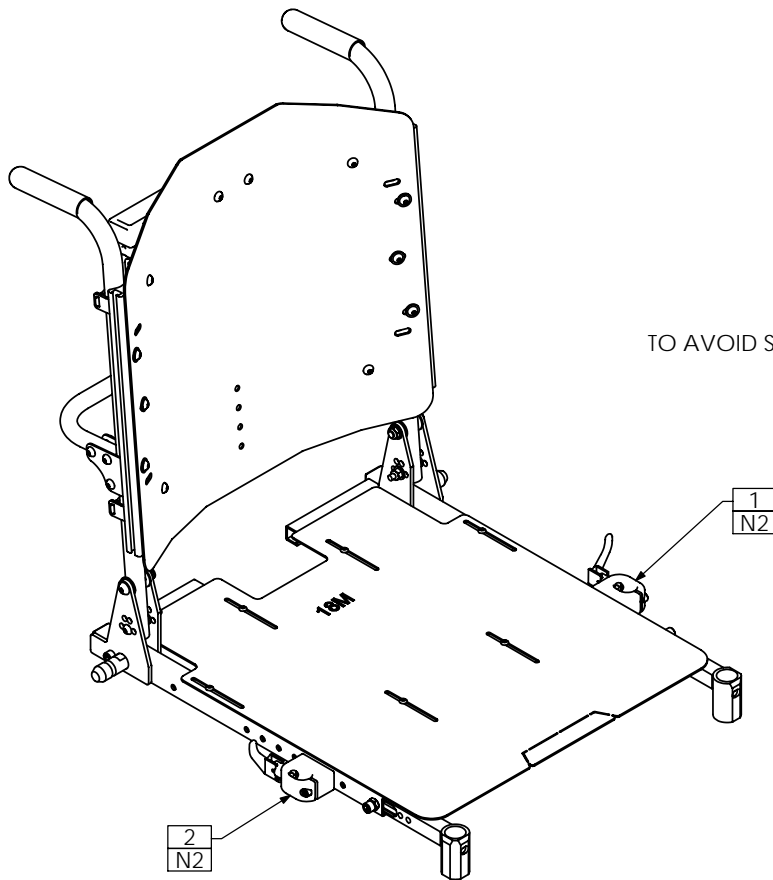


# TRC0534 - UPPER SEAT ASS'Y, TILT-ONLY, ADJUSTABLE SEAT DEPTH



SEAT PANS OF SIZE 19W X 21D AND LARGER WILL REQUIRE THE SEAT DEPTH EXTENSION KIT - TRC0313

# TRC0534 - UPPER SEAT ASS'Y, TILT-ONLY, ADJUSTABLE SEAT DEPTH



TO AVOID SUPER LOW/ SINGLE PIVOT RECEIVER INTERFERENCE

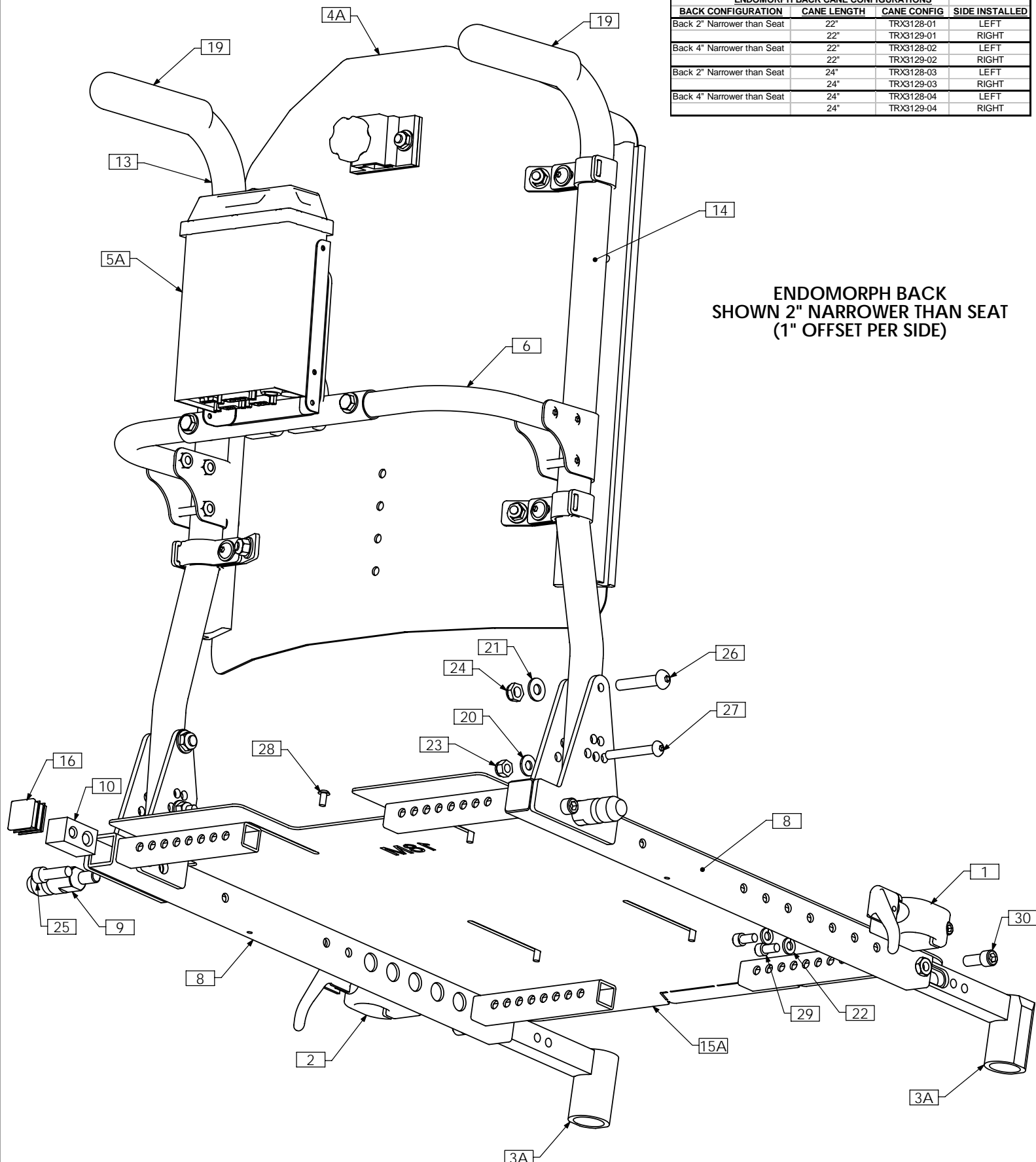
**NOTES:**

1. N/S = NOT SHOWN
2. FOR SOME SUPER LOW/SINGLE PIVOT APPLICATIONS, THE ARMREST RECEIVERS WILL BE MOUNTED UPSIDE DOWN ON THE OPPOSITE SIDES SO THAT THE LEVERS WILL POINT UP WHEN ENGAGED TO AVOID COLLIDING WITH THE BASE COWL.
3. ITEM 5B USED TO SECURE 1.0 RELAY BOX UNDER SEAT PAN. USE ITEM 7 FOR M11 TIPSYS.
4. ITEM 17 NOT USED WITH MEDIUM DEPTH SEAT SIDE FRAMES

ITEM NO.	QTY.	PART NO.	DESCRIPTION	ITEM NO.	QTY.	PART NO.	DESCRIPTION
1	1	TRC0126	FRONT ARMREST RECEIVER ASS'Y, RIGHT	14B N/S	1	TRX3261	SEAT PAN, 14DP - 17DP
2	1	TRC0127	FRONT ARMREST RECEIVER ASS'Y, LEFT	14C N/S	1	TRX3357	SEAT PAN, 19DP - 22DP
3A	1	TRC0535	LEGREST RECEIVER SELECTION	15	2	TRM0007	7/8" - 4" FOAM GRIP
3B N/S	1	TRC0552	CENTER MOUNT LEGREST RECEIVER SELECTION	16 N/S	2	TRM0012	ROD CAP
4A	1	TRC0488	CURVED RIGID BACK, TILT-ONLY	17	2	TRM0107	SQUARE TUBE CAP
4B N/S	1	TRC0333	RECESSED PLANAR BACK, TILT-ONLY	18 N/S	1	TRM0208	BACK FLAP, VARIOUS SIZES
4C N/S	1	TRC0334	CONTOUR BACK, TILT-ONLY	19	2	TRH0101	¼" FLAT WASHER
5A	1	TRC0525	RELAY BOX MOUNT ASS'Y	20	4	TRH0102	¼" NYLON WASHER
5B N/S	1	TRX3136	RELAY BOX MTG STRIP	21	2	TRH0107	5/16" FLAT WASHER
6	1	TRC0554	ADJUSTABLE SPREADER BAR ASS'Y	22	4	TRH0109	5/16" NYLON WASHER
7 N/S	1	TRX2614	HORIZONTAL TIPSYS BRACKET ASS'Y	23	4	TRH0115	¼" LOCK WASHER
8 N/S	1	TRC0313	SEAT DEPTH EXTENSION KIT	24	2	TRH0201	¼-20 NYLOC NUT
9	1	TRC0607	ADJUSTABLE DEPTH SEAT SIDE FRAME SELECTION	25	2	TRH0207	5/16-18 SHALLOW NYLOC NUT
10	2	TRX1722	SHORT MOUNTING PIN	26	2	TRH0317	5/16-18 x 1" SOCKET HEAD CAP SCREW GR8
11	2	TRX1742	MOUNTING PIN INSERT	27	2	TRH0321	5/16-18 x 1¾" BUTTON SOCKET CAP SCREW
12A	2	TRX3125	BACK CANE	28	2	TRH0431	¼-20 x 2" BUTTON SOCKET CAP SCREW
12B N/S	2	TRX3135	ANGLED TILT BACK CANE	29	4	TRH0459	¼-20 x ½" SOCKET HEAD CAP SCREW GR8
13 N/S	2	TRX3127	BACKCANE INSERT	30	6	TRH0475	#10-32 x 3/8" BUTTON SOCKET CAP SCREW
14A	1	TRX3262	SEAT PAN, 16DP - 19DP	31	2	TRH0517	5/16-24 x ¾" SOCKET HEAD CAP SCREW GR8

# TRC0599 - UPPER SEAT ASS'Y, ENDOMORPH BACK, TILT-ONLY, ADJUSTABLE SEAT DEPTH

ENDOMORPH BACK CANE CONFIGURATIONS			
BACK CONFIGURATION	CANE LENGTH	CANE CONFIG	SIDE INSTALLED
Back 2" Narrower than Seat	22"	TRX3128-01	LEFT
Back 4" Narrower than Seat	22"	TRX3129-01	RIGHT
Back 2" Narrower than Seat	22"	TRX3128-02	LEFT
Back 4" Narrower than Seat	22"	TRX3129-02	RIGHT
Back 2" Narrower than Seat	24"	TRX3128-03	LEFT
Back 4" Narrower than Seat	24"	TRX3129-03	RIGHT
Back 2" Narrower than Seat	24"	TRX3128-04	LEFT
Back 4" Narrower than Seat	24"	TRX3129-04	RIGHT



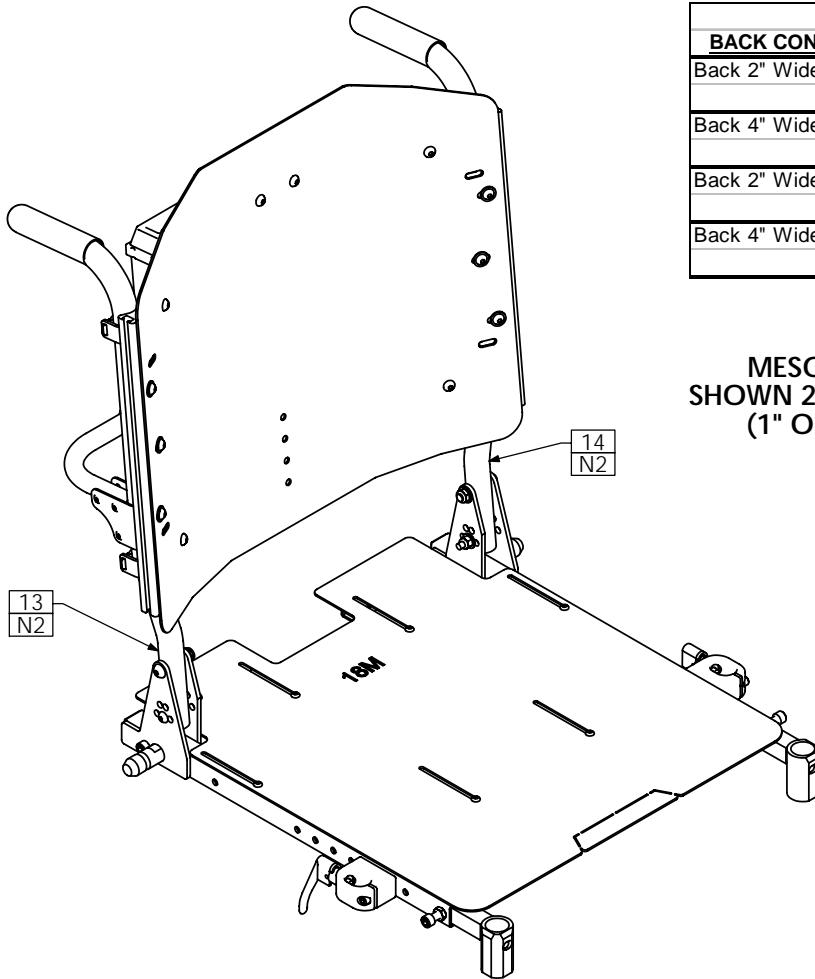
ENDOMORPH BACK  
SHOWN 2" NARROWER THAN SEAT  
(1" OFFSET PER SIDE)

NOTE: SEAT PANS OF SIZE 19W X 21D AND LARGER WILL REQUIRE THE SEAT DEPTH EXTENSION KIT - TRC0313

# TRC0599 - UPPER SEAT ASS'Y, ENDOMORPH BACK, TILT-ONLY, ADJUSTABLE SEAT DEPTH

MESOMORPH BACK CANE CONFIGURATIONS			
BACK CONFIGURATION	CANE LENGTH	CANE CONFIG	SIDE INSTALLED
Back 2" Wider than Seat	22"	TRX3128-01	RIGHT
	22"	TRX3129-01	LEFT
Back 4" Wider than Seat	22"	TRX3128-02	RIGHT
	22"	TRX3129-02	LEFT
Back 2" Wider than Seat	24"	TRX3128-03	RIGHT
	24"	TRX3129-03	LEFT
Back 4" Wider than Seat	24"	TRX3128-04	RIGHT
	24"	TRX3129-04	LEFT

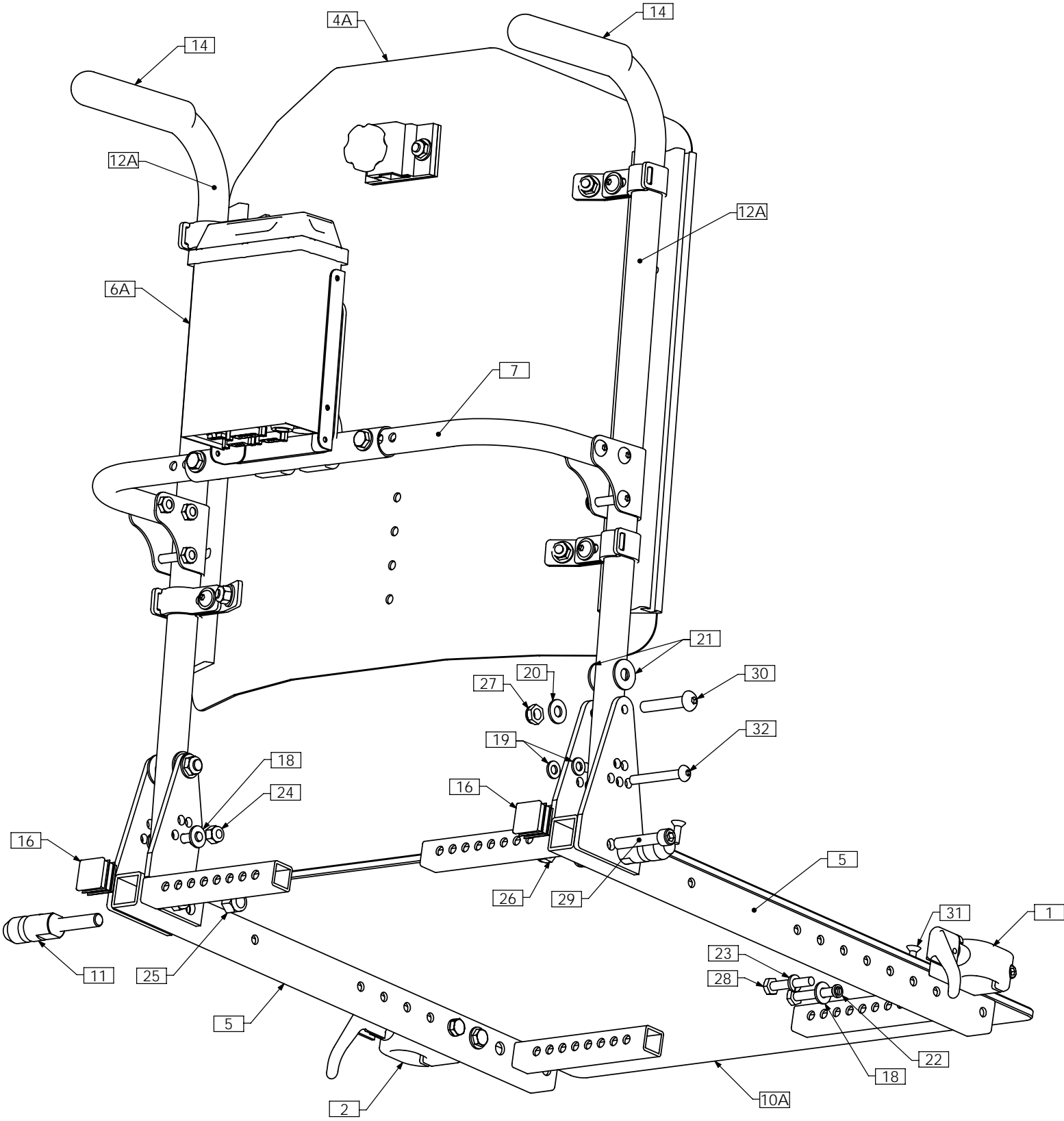
MESOMORPH BACK  
SHOWN 2" WIDER THAN SEAT  
(1" OFFSET PER SIDE)



- NOTES:  
 1. N/S = NOT SHOWN  
 2. FOR MESOMORPH BACKS, RIGHT AND LEFT BACK CANES ARE INSTALLED ON OPPOSITE SIDES  
 3. ITEM 5B USED TO SECURE 1.0 RELAY BOX UNDER SEAT PAN. USE ITEM 11 FOR M11 TIPSY.

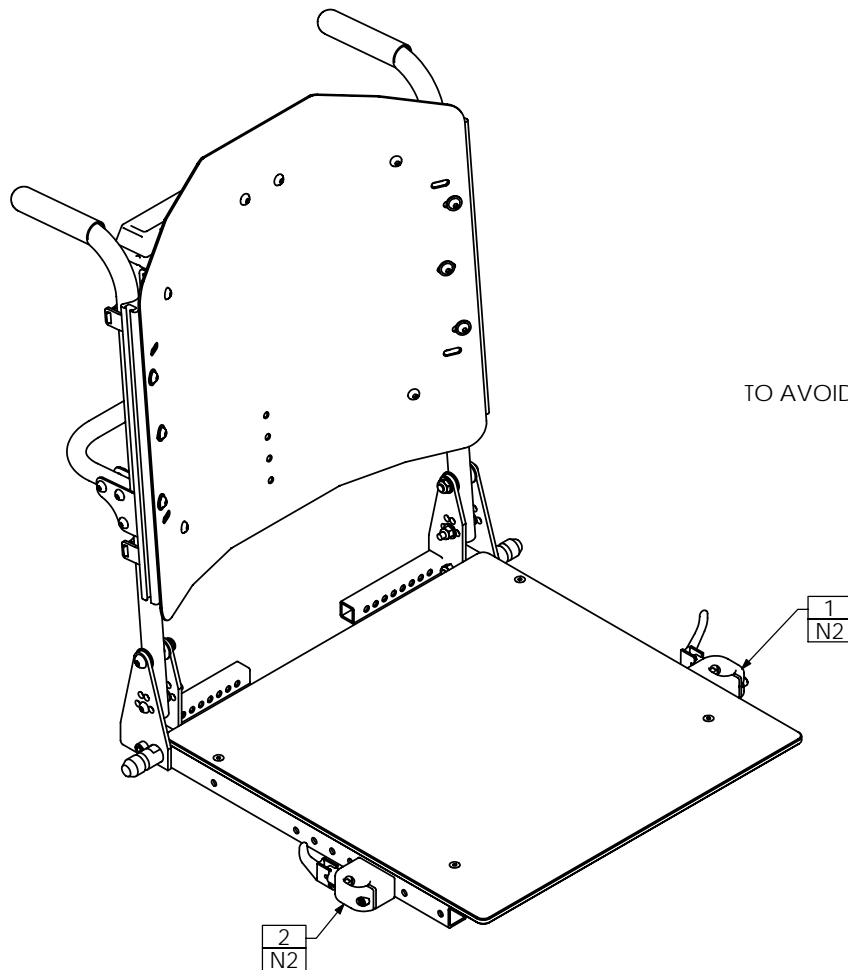
ITEM NO.	QTY.	PART NO.	DESCRIPTION	ITEM NO.	QTY.	PART NO.	DESCRIPTION
1	1	TRC0126	FRONT ARMREST RECEIVER ASS'Y, RIGHT	15A	1	TRX3262	SEAT PAN, 16DP - 19DP
2	1	TRC0127	FRONT ARMREST RECEIVER ASS'Y, LEFT	15B N/S	1	TRX3261	SEAT PAN, 14DP - 17DP
3A	1	TRC0535	LEGREST RECEIVER SELECTION	15C N/S	1	TRX3357	SEAT PAN, 19DP - 22DP
3B N/S	1	TRC0552	CENTER MOUNT LEGREST RECEIVER SELECTION	16	2	TRM0107	SQUARE TUBE CAP
4A	1	TRC0488	CURVED RIGID BACK, TILT-ONLY	17 N/S	1	TRM0208	BACK FLAP, VARIOUS SIZES
4B N/S	1	TRC0333	RECESSED PLANAR BACK, TILT-ONLY	18 N/S	2	TRM0558	ROD CAP
4C N/S	1	TRC0334	CONTOUR BACK, TILT-ONLY	19	2	TRM0559	1" - 4" FOAM GRIP
5A	1	TRC0525	RELAY BOX MOUNT ASS'Y	20	2	TRH0101	¼" FLAT WASHER
5B N/S	1	TRX3136	RELAY BOX MTG STRIP	21	2	TRH0107	5/16" FLAT WASHER
6	1	TRC0554	ADJUSTABLE SPREADER BAR ASS'Y	22	4	TRH0115	¼" LOCK WASHER
7 N/S	1	TRC0313	SEAT DEPTH EXTENSION KIT	23	2	TRH0201	¼-20 NYLOC NUT
8	1	TRC0607	ADJUSTABLE DEPTH SEAT SIDE FRAME SELECTION	24	2	TRH0207	5/16-18 SHALLOW NYLOC NUT
9	2	TRX1722	SHORT MOUNTING PIN	25	2	TRH0317	5/16-18 x 1" SOCKET HEAD CAP SCREW GR8
10	2	TRX1742	MOUNTING PIN INSERT	26	2	TRH0321	5/16-18 x 1¼" BUTTON SOCKET CAP SCREW
11 N/S	1	TRX2614	HORIZONTAL TIPSY BRACKET ASSY	27	2	TRH0431	¼-20 x 2" BUTTON SOCKET CAP SCREW
12 N/S	2	TRX3127	BACKCANE INSERT	28	6	TRH0475	#10-32 x 3/8" BUTTON SOCKET CAP SCREW
13	1	TRX3128	ENDOMORPHIC BACK CANE LEFT	29	4	TRH0459	¼-20 x ½" SOCKET HEAD CAP SCREW GR8
14	1	TRX3129	ENDOMORPHIC BACK CANE RIGHT	30	2	TRH0517	5/16-24 x ¾" SOCKET HEAD CAP SCREW GR8

# TRC0526 - UPPER SEAT ASS'Y, TILT-ONLY



SEAT PANS OF SIZE 19W X 21D AND LARGER WILL REQUIRE THE SEAT DEPTH EXTENSION KIT - TRC0313

# TRC0526 - UPPER SEAT ASS'Y, TILT-ONLY

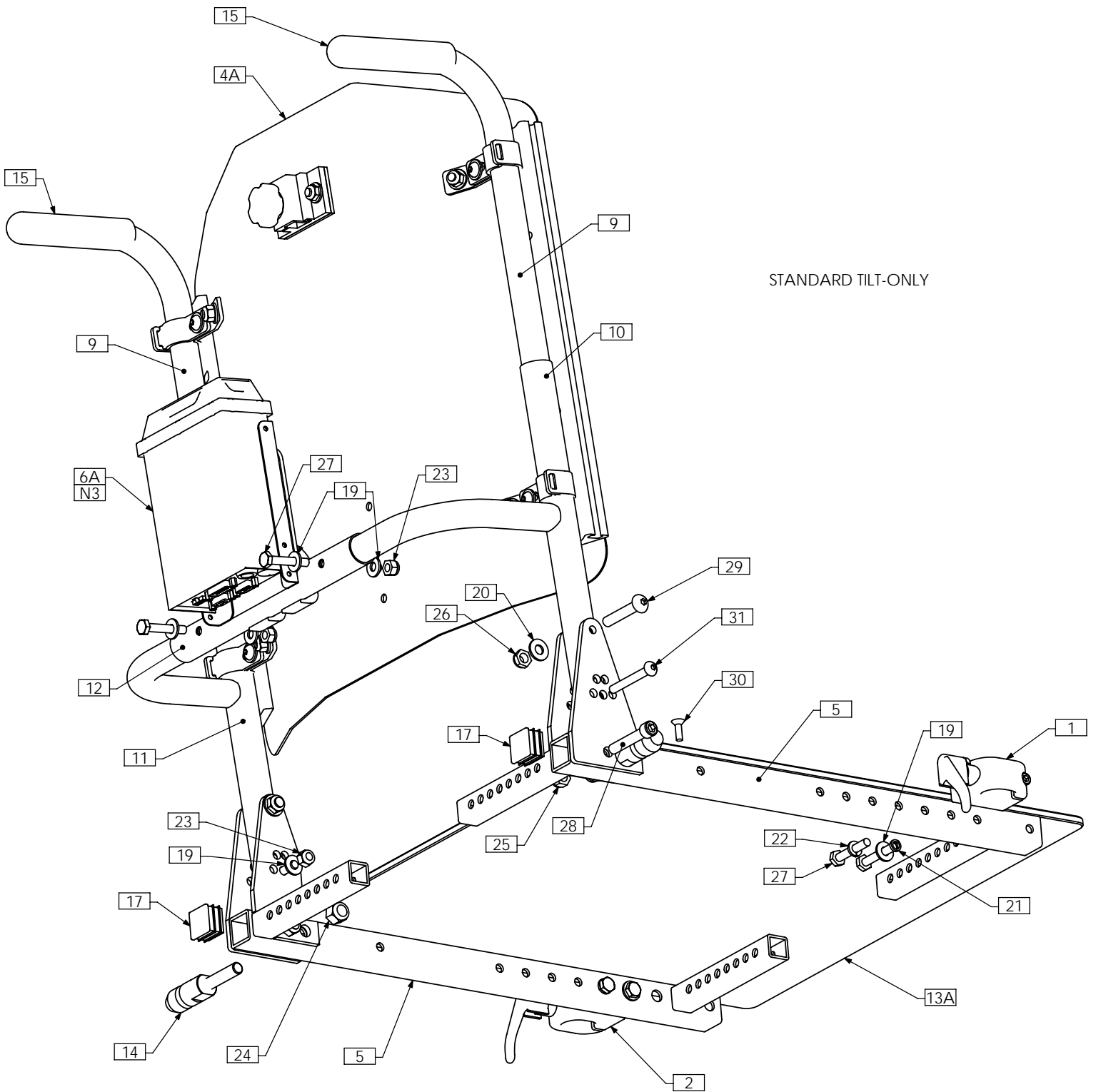


TO AVOID SUPER LOW/SINGLE PIVOT RECEIVER INTERFERENCE

- NOTES:  
 1. N/S = NOT SHOWN  
 2. FOR SOME SUPER LOW/SINGLE PIVOT BASE APPLICATIONS, THE ARMREST RECEIVERS WILL BE MOUNTED UPSIDE DOWN ON THE OPPOSITE SIDES SO THAT THE LEVERS WILL POINT UP WHEN ENGAGED TO AVOID COLLIDING WITH THE BASE COWL.  
 3. ITEM 6B USED TO SECURE 1.0 RELAY BOX UNDER SEAT PAN. USE ITEM 9 FOR M11 TIPSY.

ITEM NO.	QTY.	PART NO.	DESCRIPTION	ITEM NO.	QTY.	PART NO.	DESCRIPTION
1	1	TRC0126	FRONT ARMREST RECEIVER ASS'Y, RIGHT	14	2	TRM0007	7/8" - 4" FOAM GRIP
2	1	TRC0127	FRONT ARMREST RECEIVER ASS'Y, LEFT	15 N/S	2	TRM0012	ROD CAP
3A N/S	1	TRC0294	LEGREST RECEIVER SELECTION	16	2	TRM0107	SQUARE TUBE CAP
3B N/S	1	TRC0551	CENTER MOUNT LEGREST RECEIVER SELECTION	17 N/S	1	TRM0208	BACK FLAP, VARIOUS SIZES
4A	1	TRC0488	CURVED RIGID BACK, TILT-ONLY	18	4	TRH0101	¼" FLAT WASHER
4B N/S	1	TRC0333	RECESSED PLANAR BACK, TILT-ONLY	19	4	TRH0102	¼" NYLON WASHER
4C N/S	1	TRC0334	CONTOUR BACK, TILT-ONLY	20	2	TRH0107	5/16" FLAT WASHER
5	1	TRC0407	SEAT SIDE FRAME SELECTION	21	4	TRH0109	5/16" NYLON WASHER
6A	1	TRC0525	RELAY BOX MOUNT ASS'Y	22	2	TRH0113	¼" HI COLLAR LOCK WASHER
6B N/S	1	TRX3136	RELAY BOX MTG STRIP	23	2	TRH0115	¼" LOCK WASHER
7	1	TRC0554	ADJUSTABLE SPREADER BAR ASS'Y	24	2	TRH0201	¼-20 NYLOC NUT
8 N/S	1	TRC0313	SEAT DEPTH EXTENSION KIT	25	2	TRH0204	3/8-16 NYLOC NUT
9 N/S	1	TRX2614	HORIZONTAL TIPSY BRACKET ASSY	26	2	TRH0206	5/16-18 NYLOC NUT
10A	1	TRX0393	SEAT PAN 14"-18" WIDTHS	27	2	TRH0207	5/16-18 SHALLOW NYLOC NUT
10B N/S	1	TRX0394	SEAT PAN, 19"-25" WIDTHS	28	4	TRH0301	¼-20 x 1½" HEX HEAD CAP SCREW
11	2	TRX1361	MOUNTING PIN	29	2	TRH0315	5/16-18 x 1¾" SOCKET HEAD CAP SCREW GR8
12A	2	TRX3125	BACK CANE	30	2	TRH0321	5/16-18 x 1¾" BUTTON SOCKET CAP SCREW
12B N/S	2	TRX3135	ANGLED TILT BACK CANE	31	4	TRH0339	#10-32 x 5/8" FLAT SOCKET CAP SCREW
13 N/S	2	TRX3127	BACKCANE INSERT	32	2	TRH0431	¼-20 x 2" BUTTON SOCKET CAP SCREW

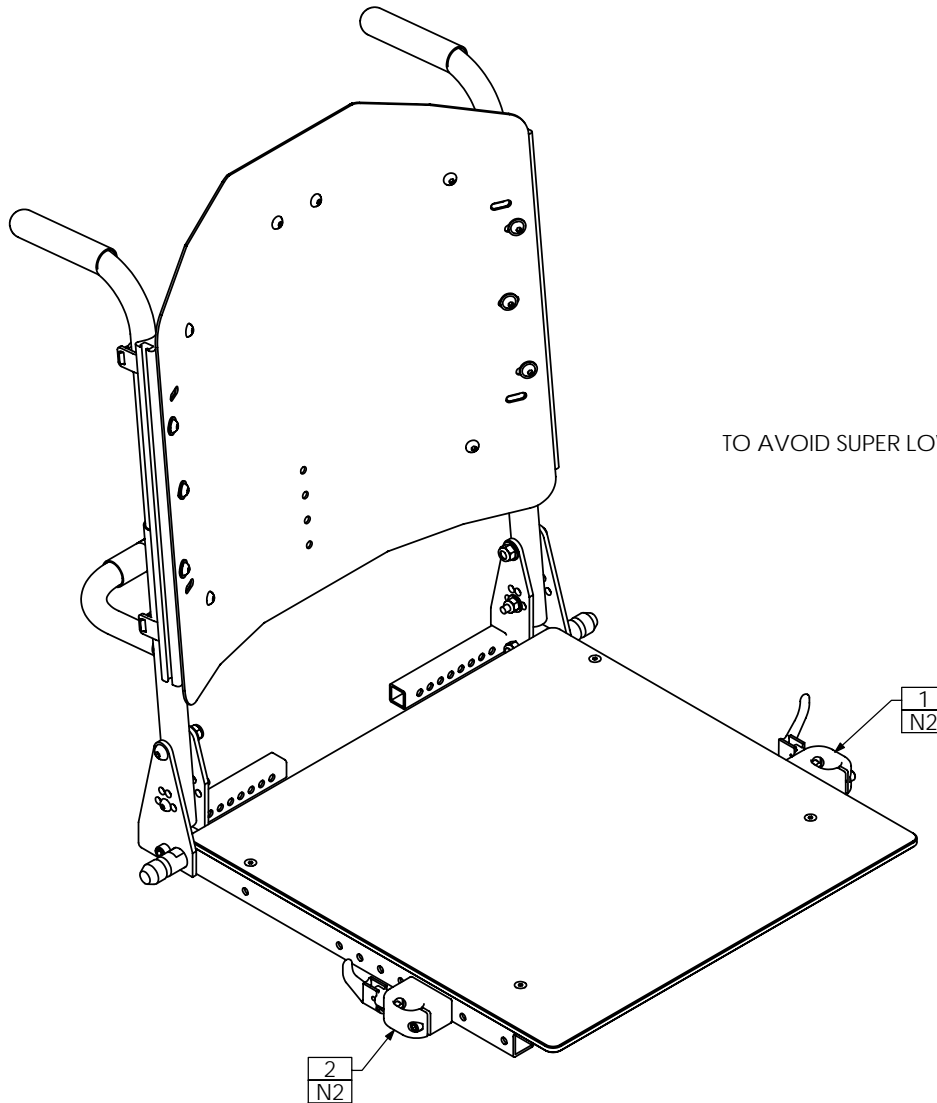
# TRC0163 - UPPER SEAT ASS'Y, TILT-ONLY



STANDARD TILT-ONLY

NOTE: THIS ASSEMBLY DRAWING CAN BE USED AS A REFERENCE FOR ALL DEPTH APPLICATION TILT-ONLY UPPER SEAT ASSEMBLIES. REFER TO TRC0407 - SEAT SIDE SELECTION PAGE OF PARTS MANUAL.

# TRC0163 - UPPER SEAT ASS'Y, TILT-ONLY



TO AVOID SUPER LOW RECEIVER INTERFERENCE

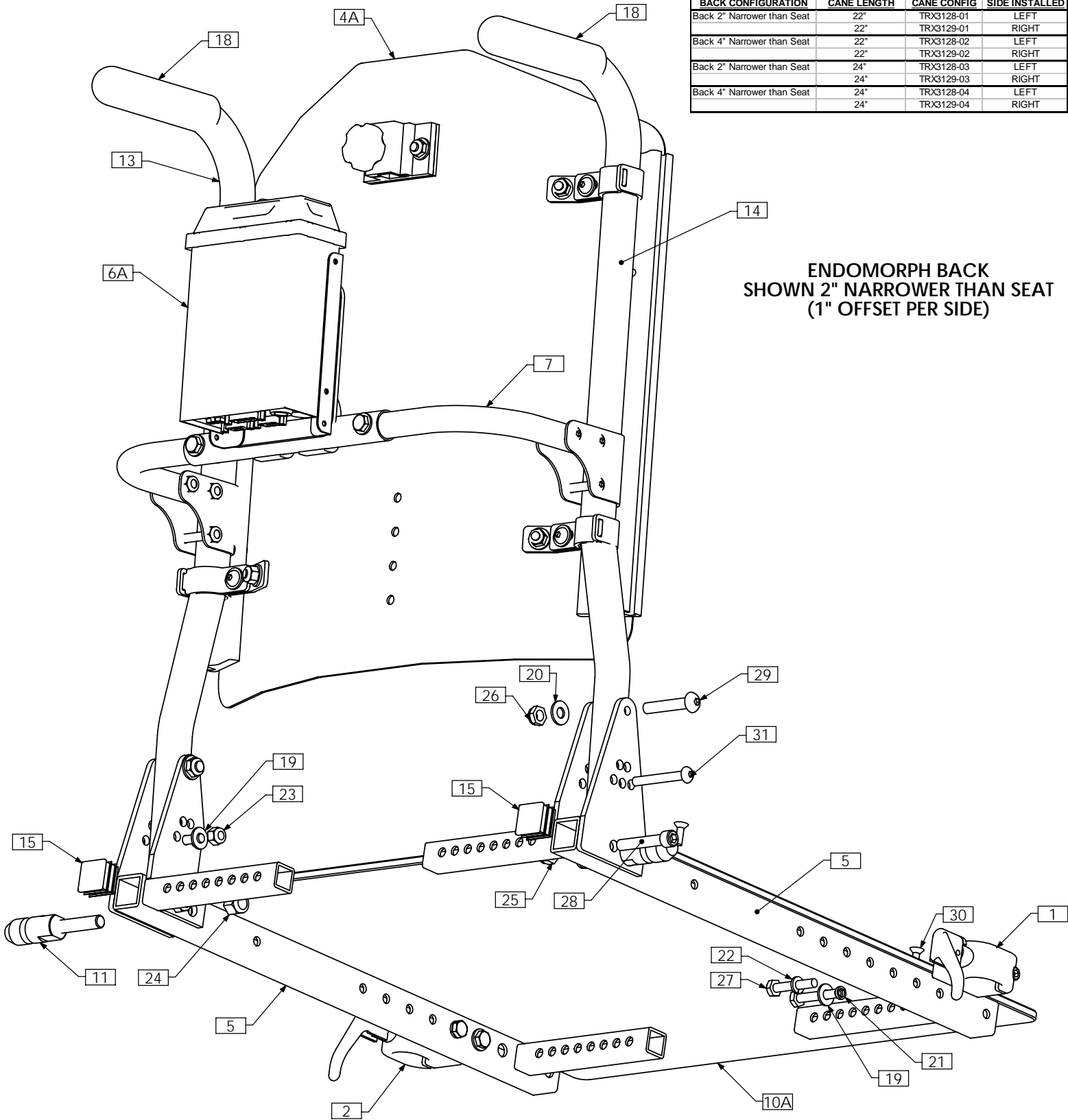
## NOTES:

1. N/S = NOT SHOWN
2. FOR SOME SUPER LOW BASE APPLICATIONS, THE ARMREST RECEIVERS WILL BE MOUNTED UPSIDE DOWN ON THE OPPOSITE SIDES SO THAT THE LEVERS WILL POINT UP WHEN ENGAGED TO AVOID COLLIDING WITH THE BASE COWL.
3. ITEM 6B USED TO SECURE 1.0 RELAY BOX UNDER SEAT PAN. USE ITEM 7 FOR M11 TIPSY.

ITEM NO.	QTY.	PART NO.	DESCRIPTION	ITEM NO.	QTY.	PART NO.	DESCRIPTION
1	1	TRC0126	FRONT ARMREST RECEIVER ASS'Y, RIGHT	14	2	TRX1361	MOUNTING PIN
2	1	TRC0127	FRONT ARMREST RECEIVER ASS'Y, LEFT	15	2	TRM0007	7/8" - 4" FOAM GRIP
3A N/S	1	TRC0294	LEGREST RECEIVER SELECTION	16 N/S	2	TRM0012	ROD CAP
3B N/S	1	TRC0551	CENTER MOUNT LEGREST RECEIVER SELECTION	17	2	TRM0107	SQUARE TUBE CAP
4A	1	TRC0488	CURVED RIGID BACK, TILT-ONLY	18 N/S	1	TRM0208	BACK FLAP, VARIOUS SIZES
4B N/S	1	TRC0333	RECESSED PLANAR BACK, TILT-ONLY	19	8	TRH0101	1/4" FLAT WASHER
4C N/S	1	TRC0334	CONTOUR BACK, TILT-ONLY	20	2	TRH0107	5/16" FLAT WASHER
5	1	TRC0407	SEAT SIDE FRAME SELECTION	21	2	TRH0113	1/4" HI COLLAR LOCK WASHER
6A	1	TRC0525	RELAY BOX MOUNT ASS'Y	22	2	TRH0115	1/4" LOCK WASHER
6B N/S	1	TRX3136	RELAY BOX MTG STRIP	23	4	TRH0201	1/4-20 NYLOC NUT
7 N/S	1	TRX2614	HORIZONTAL TIPSY BRACKET ASSY	24	2	TRH0204	3/8-16 NYLOC NUT
8A N/S	2	TRX0115	INSERT, BACKCANE	25	2	TRH0206	5/16-18 NYLOC NUT
8B N/S	2	TRX0721	INSERT SHAFT, TILT BACK POST	26	2	TRH0207	5/16-18 SHALLOW NYLOC NUT
9	2	TRX0116	BACK CANE	27	6	TRH0301	1/4-20 x 1 1/2" HEX HEAD CAP SCREW
10	1	TRX0135	BACK CANE SUPPORT ASSY, RIGHT	28	2	TRH0315	5/16-18 x 1 3/4" SOCKET HEAD CAP SCREW GR8
11	1	TRX0136	BACK CANE SUPPORT ASSY, LEFT	29	2	TRH0321	5/16-18 x 1 3/4" BUTTON SOCKET CAP SCREW
12	1	TRX0139	CROSS BAR	30	4	TRH0339	#10-32 x 5/8" FLAT SOCKET CAP SCREW
13A	1	TRX0393	SEAT PAN 14"-18" WIDTHS	31	2	TRH0431	1/4-20 x 2" BUTTON SOCKET CAP SCREW
13B N/S	1	TRX0394	SEAT PAN, 19"-25" WIDTHS				

# TRC0541 - UPPER SEAT ASS'Y, ENDOMORPH BACK, TILT-ONLY

ENDOMORPH BACK CANE CONFIGURATIONS			
BACK CONFIGURATION	CANE LENGTH	CANE CONFIG	SIDE INSTALLED
Back 2" Narrower than Seat	22"	TRX3128-01	LEFT
Back 4" Narrower than Seat	22"	TRX3129-01	RIGHT
Back 2" Narrower than Seat	22"	TRX3128-02	LEFT
Back 4" Narrower than Seat	22"	TRX3129-02	RIGHT
Back 2" Narrower than Seat	24"	TRX3128-03	LEFT
Back 4" Narrower than Seat	24"	TRX3129-03	RIGHT
Back 2" Narrower than Seat	24"	TRX3128-04	LEFT
Back 4" Narrower than Seat	24"	TRX3129-04	RIGHT

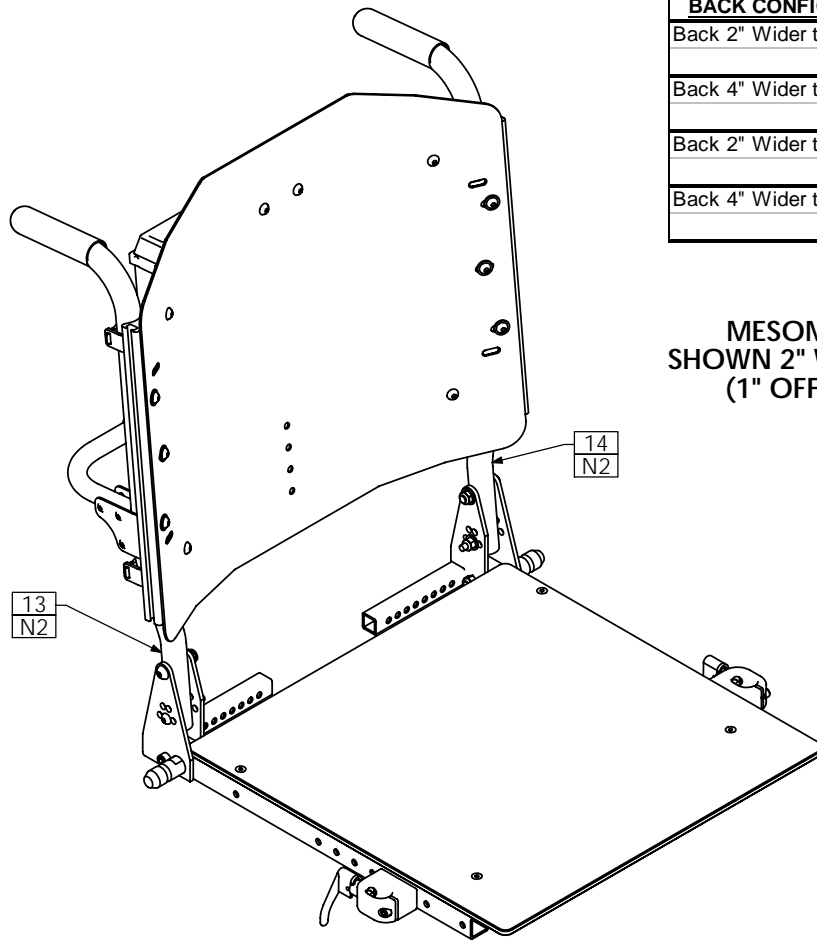


**ENDOMORPH BACK  
SHOWN 2" NARROWER THAN SEAT  
(1" OFFSET PER SIDE)**

SEAT PANS OF SIZE 19W AND LARGER WILL REQUIRE THE SEAT DEPTH EXTENSION KIT - TRC0313

# TRC0541 - UPPER SEAT ASS'Y, ENDOMORPH BACK, TILT-ONLY

MESOMORPH BACK CANE CONFIGURATIONS			
BACK CONFIGURATION	CANE LENGTH	CANE CONFIG	SIDE INSTALLED
Back 2" Wider than Seat	22"	TRX3128-01	RIGHT
	22"	TRX3129-01	LEFT
Back 4" Wider than Seat	22"	TRX3128-02	RIGHT
	22"	TRX3129-02	LEFT
Back 2" Wider than Seat	24"	TRX3128-03	RIGHT
	24"	TRX3129-03	LEFT
Back 4" Wider than Seat	24"	TRX3128-04	RIGHT
	24"	TRX3129-04	LEFT

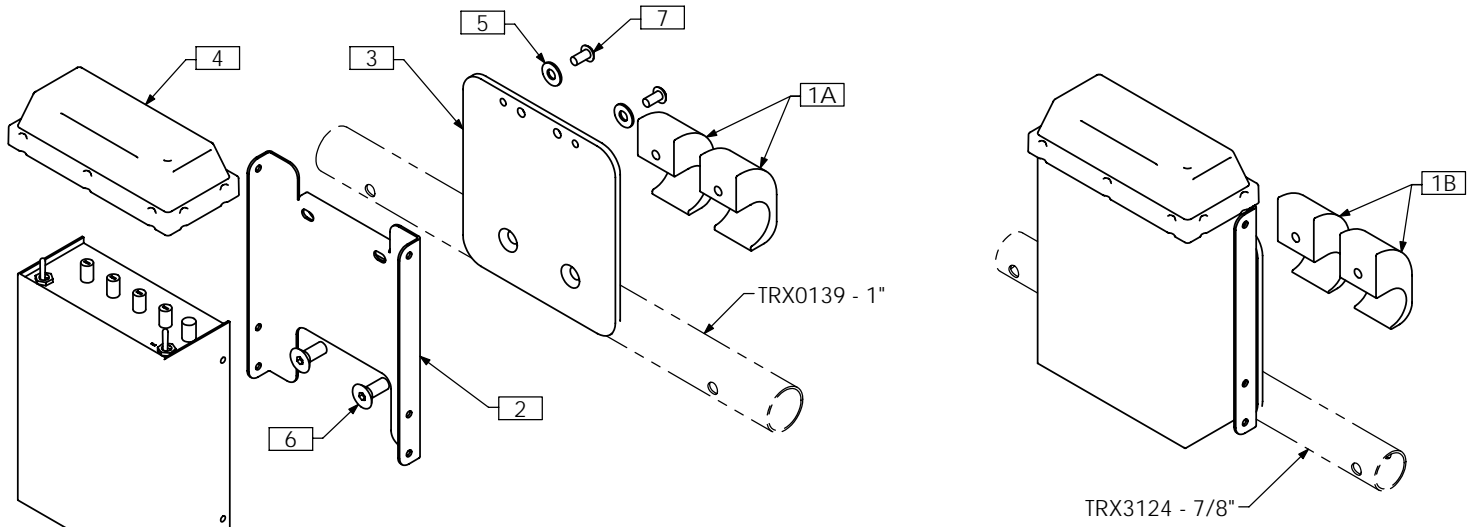


MESOMORPH BACK  
SHOWN 2" WIDER THAN SEAT  
(1" OFFSET PER SIDE)

- NOTES:  
 1. N/S = NOT SHOWN  
 2. FOR MESOMORPH BACKS, RIGHT AND LEFT BACK CANES ARE INSTALLED ON OPPOSITE SIDES  
 3. ITEM 6B USED TO SECURE 1.0 RELAY BOX UNDER SEAT PAN. USE ITEM 9 FOR M11 TIPS.

ITEM NO.	QTY.	PART NO.	DESCRIPTION	ITEM NO.	QTY.	PART NO.	DESCRIPTION
1	1	TRC0126	FRONT ARMREST RECEIVER ASS'Y, RIGHT	14	1	TRX3129	ENDOMORPHIC BACK CANE RIGHT
2	1	TRC0127	FRONT ARMREST RECEIVER ASS'Y, LEFT	15	2	TRM0107	SQUARE TUBE CAP
3A N/S	1	TRC0294	LEGREST RECEIVER SELECTION	16 N/S	1	TRM0208	BACK FLAP, VARIOUS SIZES
3B N/S	1	TRC0551	CENTER MOUNT LEGREST RECEIVER SELECTION	17 N/S	2	TRM0558	ROD CAP
4A	1	TRC0488	CURVED RIGID BACK, TILT-ONLY	18	2	TRM0559	1" - 4" FOAM GRIP
4B N/S	1	TRC0333	RECESSED PLANAR BACK, TILT-ONLY	19	4	TRH0101	¼" FLAT WASHER
4C N/S	1	TRC0334	CONTOUR BACK, TILT-ONLY	20	2	TRH0107	5/16" FLAT WASHER
5	1	TRC0407	SEAT SIDE FRAME SELECTION	21	2	TRH0113	¼" HI COLLAR LOCK WASHER
6A	1	TRC0525	RELAY BOX MOUNT ASS'Y	22	2	TRH0115	¼" LOCK WASHER
6B N/S	1	TRX3136	RELAY BOX MTG STRIP	23	2	TRH0201	¼-20 NYLOC NUT
7	1	TRC0554	ADJUSTABLE SPREADER BAR ASS'Y	24	2	TRH0204	3/8-16 NYLOC NUT
8 N/S	1	TRC0313	SEAT DEPTH EXTENSION KIT	25	2	TRH0206	5/16-18 NYLOC NUT
9 N/S	1	TRX2614	HORIZONTAL TIPS Y BRACKET ASSY	26	2	TRH0207	5/16-18 SHALLOW NYLOC NUT
10A	1	TRX0393	SEAT PAN 14"-18" WIDTHS	27	4	TRH0301	¼-20 x 1½" HEX HEAD CAP SCREW
10B N/S	1	TRX0394	SEAT PAN, 19"-25" WIDTHS	28	2	TRH0315	5/16-18 x 1¾" SOCKET HEAD CAP SCREW GR8
11	2	TRX1361	MOUNTING PIN	29	2	TRH0321	5/16-18 x 1¾" BUTTON SOCKET CAP SCREW
12 N/S	2	TRX3127	BACKCANE INSERT	30	4	TRH0339	#10-32 x 5/8" FLAT SOCKET CAP SCREW
13	1	TRX3128	ENDOMORPHIC BACK CANE LEFT	31	2	TRH0431	¼-20 x 2" BUTTON SOCKET CAP SCREW

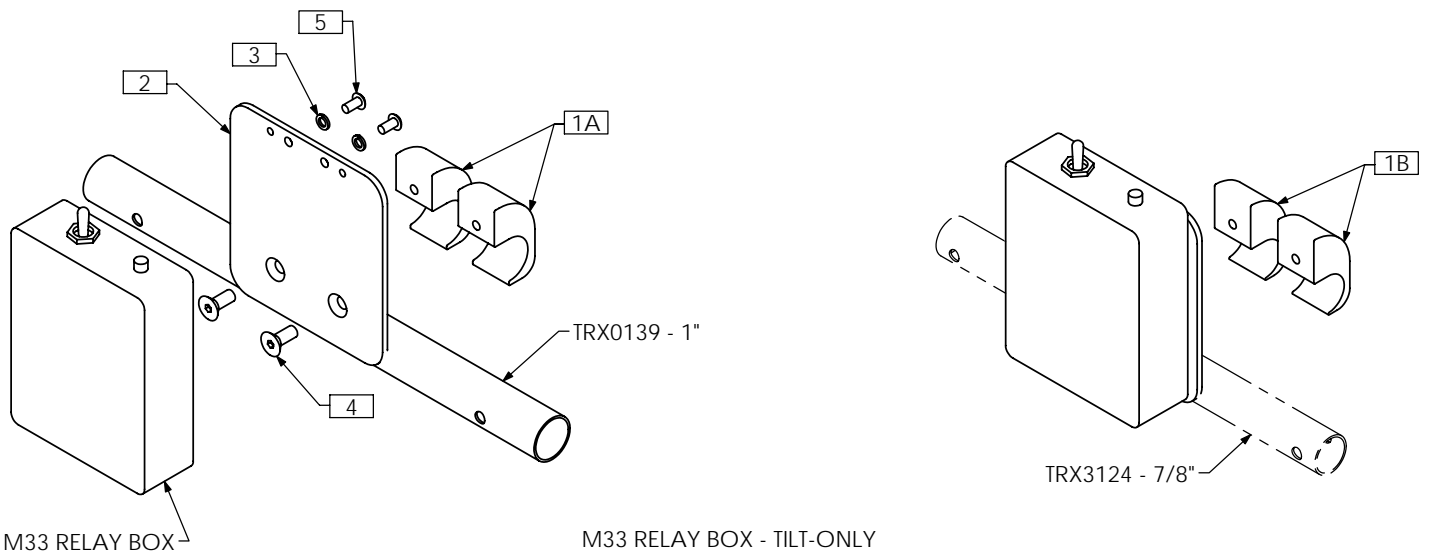
# TRC0525 - RELAY BOX MOUNT ASS'Y, TILT-ONLY



HELIX RELAY BOX

HELIX RELAY BOX - TILT-ONLY

ITEM NO.	QTY.	PART NO.	DESCRIPTION
1A	2	TRX1198	BACK CLAMP BLOCK, 1"
1B	2	TRX1197	BACK CLAMP BLOCK, 7/8"
2	1	TRX3098	RELAY BOX MTG BRKT
3	1	TRX3130	RELAY BOX MOUNT
4	1	TRM0495	HELIX COVER
5	2	TRH0114	3/16" FLAT WASHER
6	2	TRH0349	1/4-20 x 5/8" FLAT SOCKET CAP SCREW
7	2	TRH0475	#10-32 x 3/8" BUTTON SOCKET CAP SCREW



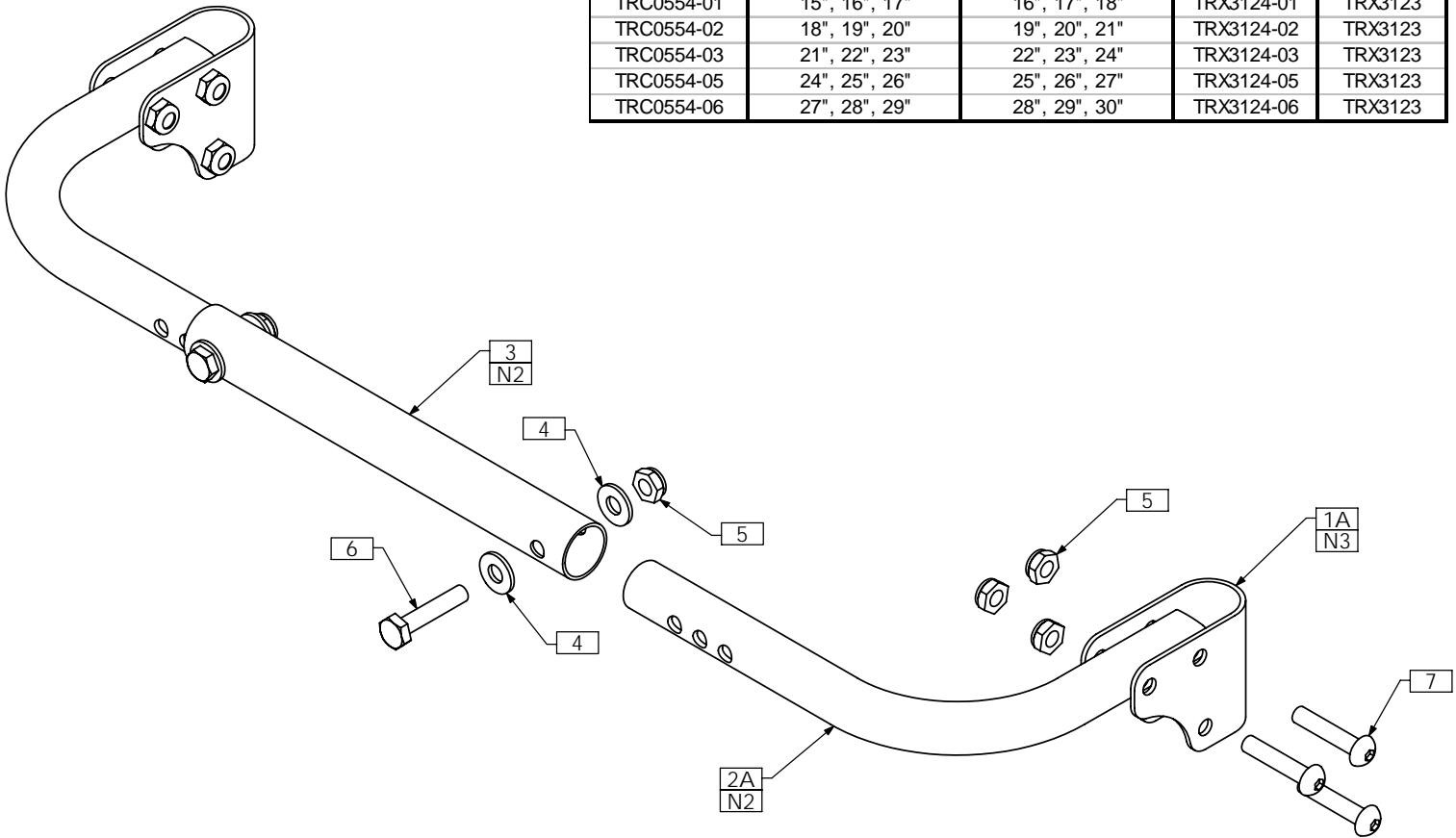
M33 RELAY BOX

M33 RELAY BOX - TILT-ONLY

ITEM NO.	QTY.	PART NO.	DESCRIPTION
1A	2	TRX1198	BACK CLAMP BLOCK, 1"
1B	2	TRX1197	BACK CLAMP BLOCK, 7/8"
2	1	TRX3130	RELAY BOX MOUNT
3	2	TRH0134	#10 LOCKWASHER
4	2	TRH0349	1/4-20 x 5/8" FLAT SOCKET CAP SCREW
5	2	TRH0475	#10-32 x 3/8" BUTTON SOCKET CAP SCREW

# TRC0554 - ADJUSTABLE SPREADER BAR ASS'Y

ASSEMBLY NUMBER	BACK CANE CENTER DISTANCE	STANDARD SEAT WIDTH	MIDDLE BAR	CORNER TUBE
TRC0554-00	9", 10", 11"	10", 11", 12"	TRX3124-04	TRX3419
TRC0554-04	12", 13", 14"	13", 14", 15"	TRX3124-04	TRX3123
TRC0554-01	15", 16", 17"	16", 17", 18"	TRX3124-01	TRX3123
TRC0554-02	18", 19", 20"	19", 20", 21"	TRX3124-02	TRX3123
TRC0554-03	21", 22", 23"	22", 23", 24"	TRX3124-03	TRX3123
TRC0554-05	24", 25", 26"	25", 26", 27"	TRX3124-05	TRX3123
TRC0554-06	27", 28", 29"	28", 29", 30"	TRX3124-06	TRX3123

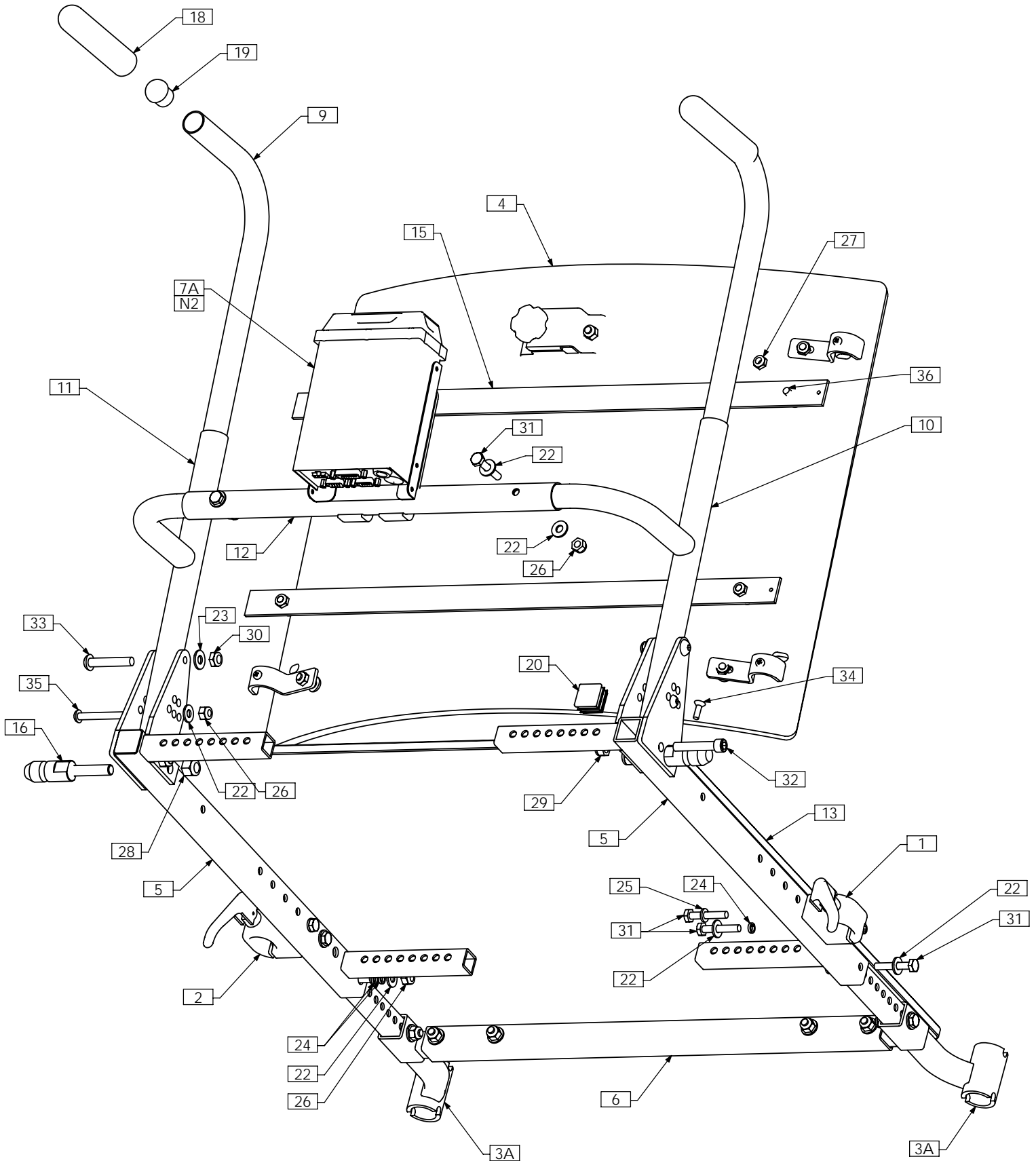


**NOTES:**

1. N/S = NOT SHOWN
2. SEE TABLE FOR BACK CANE WIDTH CONFIGURATIONS
3. ITEM 1B MUST BE USED FOR 1" DIAMETER CANES

ITEM NO.	QTY.	PART NO.	DESCRIPTION
1A	2	TRX3122	SPREADER BAR CLAMP, 7/8
1B N/S	2	TRX3341	SPREADER BAR CLAMP, 1"
2A	2	TRX3123	CORNER TUBE
2B N/S	2	TRX3419	NARROW SEAT WIDTH CORNER TUBE
3	1	TRX3124	ADJUSTABLE SPREADER BAR MIDDLE BAR
4	4	TRH0101	1/4" FLAT WASHER
5	8	TRH0202	1/4-20 SHALLOW NYLOC NUT
6	2	TRH0353	1/4-20 x 1 1/4" HEX HEAD CAP SCREW
7	6	TRH0451	1/4-20 x 1 1/4" BUTTON SOCKET CAP SCREW

# TRC0454 - UPPER SEAT ASS'Y, TILT-ONLY, BARIATRIC



NOTES: THIS ASSEMBLY DRAWING CAN BE USED AS A REFERENCE FOR ALL DEPTH APPLICATION TILT-ONLY UPPER SEAT BARIATRIC ASSEMBLIES. REFER TO TRC0407 - SEAT SIDE SELECTION PAGE OF PARTS MANUAL.

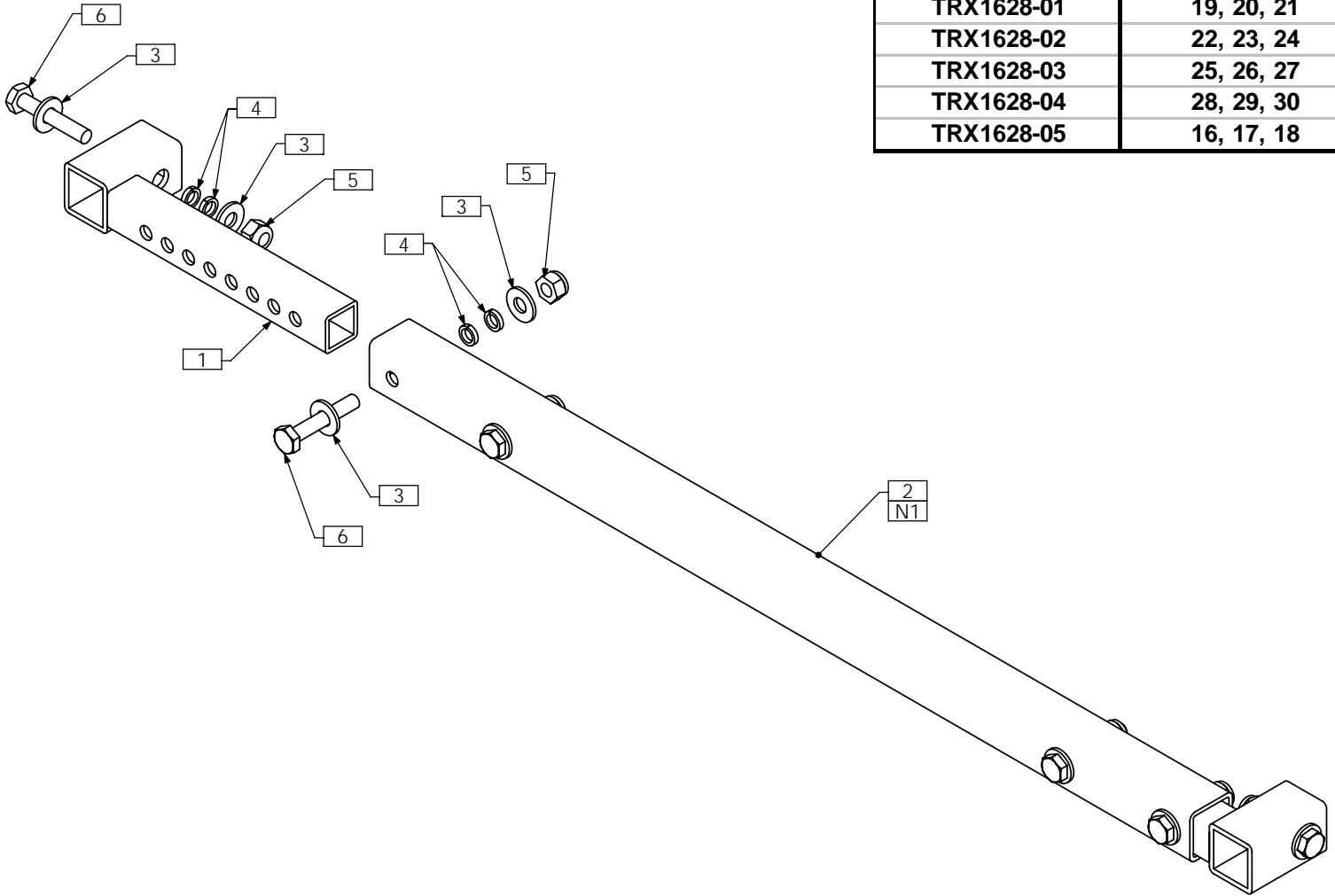
# TRC0454 - UPPER SEAT ASS'Y, TILT-ONLY, BARIATRIC

ITEM NO.	QTY.	PART NO.	DESCRIPTION
1	1	TRC0126	FRONT ARMREST RECEIVER ASS'Y, RIGHT
2	1	TRC0127	FRONT ARMREST RECEIVER ASS'Y, LEFT
3A	1	TRC0294	LEGREST RECEIVER SELECTION
3B N/S	1	TRC0551	CENTER MOUNT LEGREST RECEIVER SELECTION
4	1	TRC0332	CURVED RIGID BACK, TILT-ONLY
5	1	TRC0407	SEAT SIDE FRAME SELECTION
6	1	TRC0313	SEAT DEPTH EXTENSION KIT
7A	1	TRC0525	RELAY BOX MOUNT ASS'Y
7B N/S	1	TRX3136	RELAY BOX MTG STRIP
8 N/S	1	TRX2614	HORIZONTAL TIPSY BRACKET ASSY
9	2	TRX0116	BACK CANE
10	1	TRX0135	BACK CANE SUPPORT ASS'Y, RIGHT
11	1	TRX0136	BACK CANE SUPPORT ASS'Y, LEFT
12	1	TRX0139-03	CROSS BAR
13	1	TRX0394	SEAT PAN, 19"-25" WIDTHS
14 N/S	2	TRX0721	INSERT SHAFT, TILT BACK POST
15	2	TRX0722	REINFORCING STRIP, BACK PAN
16	2	TRX1361	MOUNTING PIN
17 N/S	1	TRM0004	BACK CUSHION AND COVER, VARIOUS SIZES
18	2	TRM0007	7/8" - 4" FOAM GRIP
19	2	TRM0012	ROD CAP
20	2	TRM0107	SQUARE TUBE CAP
21 N/S	1	TRM0208	BACK FLAP, VARIOUS SIZES
22	12	TRH0101	¼" FLAT WASHER
23	2	TRH0107	5/16" FLAT WASHER
24	6	TRH0113	¼" HI COLLAR LOCK WASHER
25	2	TRH0115	¼" LOCK WASHER
26	6	TRH0201	¼-20 NYLOC NUT
27	4	TRH0202	¼-20 SHALLOW NYLOC NUT
28	2	TRH0204	3/8-16 NYLOC NUT
29	2	TRH0206	5/16-18 NYLOC NUT
30	2	TRH0207	5/16-18 SHALLOW NYLOC NUT
31	8	TRH0301	¼-20 x 1½" HEX HEAD CAP SCREW
32	2	TRH0315	5/16-18 x 1¾" SOCKET HEAD CAP SCREW GR8
33	2	TRH0321	5/16-18 x 1¾" BUTTON SOCKET CAP SCREW
34	4	TRH0339	#10-32 x 5/8" FLAT SOCKET CAP SCREW
35	2	TRH0431	¼-20 x 2" BUTTON SOCKET CAP SCREW
36	4	TRH0467	¼-20 x ¾" PHILLIPS TRUSS MACHINE SCREW

NOTES:

1. N/S = NOT SHOWN
2. ITEM 7B USED TO SECURE 1.0 RELAY BOX UNDER SEAT PAN. USE ITEM 8 FOR M11 TIPSY.

# TRC0313 - SEAT DEPTH EXTENSION KIT

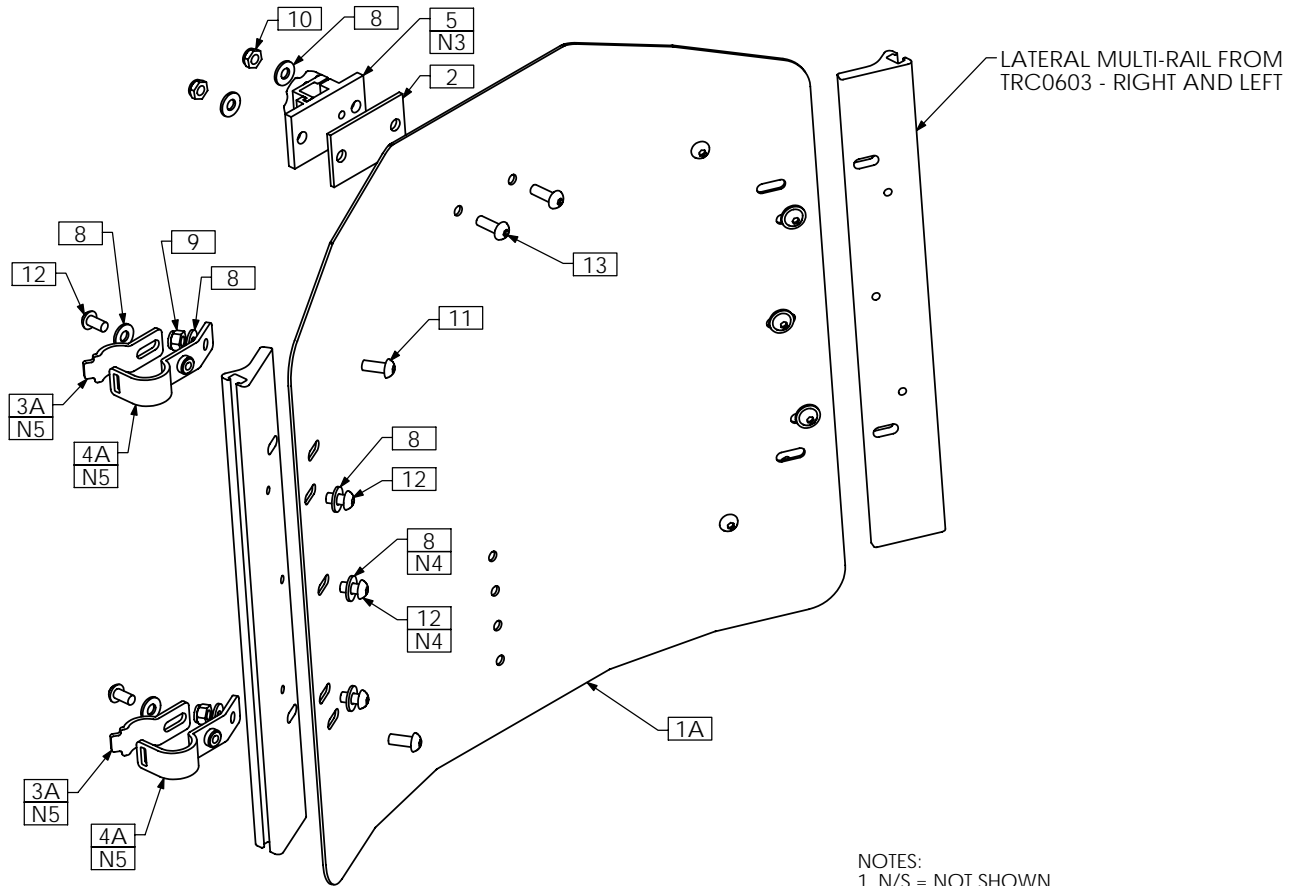


PART NUMBER	SEAT WIDTH
TRX1628-01	19, 20, 21
TRX1628-02	22, 23, 24
TRX1628-03	25, 26, 27
TRX1628-04	28, 29, 30
TRX1628-05	16, 17, 18

NOTES:  
1. SEE TABLE FOR SEAT WIDTH CONFIGURATIONS

ITEM NO.	QTY.	PART NO.	DESCRIPTION
1	2	TRX0359	SEAT DEPTH EXTENDER WLD
2	1	TRX1628	FRONT CROSSBAR
3	12	TRH0101	1/4" FLAT WASHER
4	12	TRH0113	1/4" HI COLLAR LOCK WASHER
5	6	TRH0201	1/4-20 NYLOC NUT
6	6	TRH0301	1/4-20 x 1 1/2" HEX HEAD CAP SCREW

# TRC0488 - CURVED RIGID BACK, TILT-ONLY, STEEL



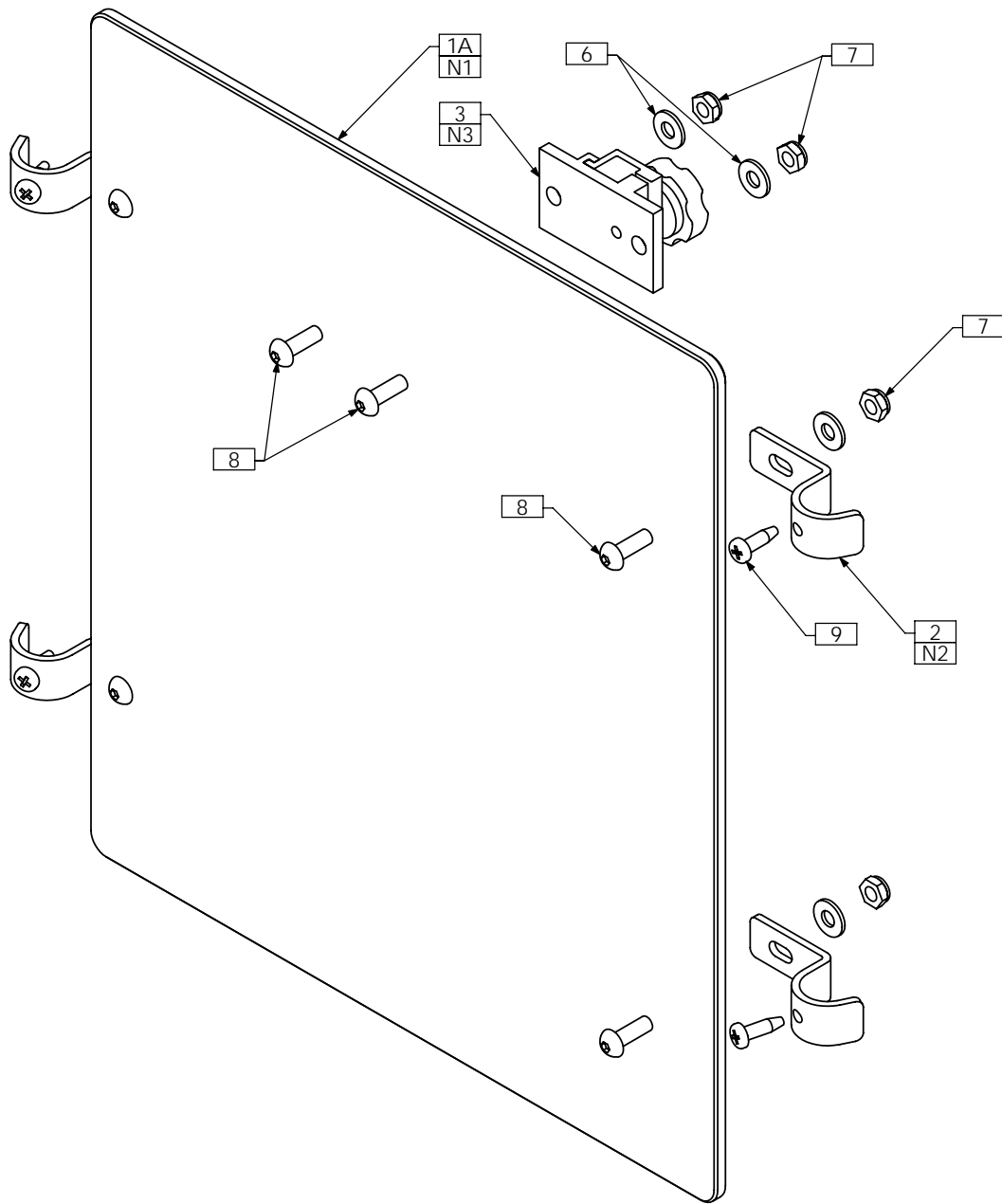
- NOTES:
1. N/S = NOT SHOWN
  2. PARTS IN ASSEMBLY SHOWN FOR KITTING PURPOSES ONLY. MOUNTING BRACKETS ARE LOCATED DURING THE UPPER SEAT ASSEMBLY. LOCATION DEPENDS ON BACK SIZE.
  3. TRM0036 NOT REQUIRED FOR ONYX HEADREST - SEE TRC0326
  4. NOT REQUIRED FOR 12H AND 13H BACKS
  5. USE ITEMS 5B AND 6B FOR 1" CANES

INSTALLATION TIP: POSITION CLAMPS ONTO THE CANES FIRST. ENSURE THERE WILL BE A SUFFICIENT ADJUSTMENT RANGE. POSITION BACK AND CLAMP SECURELY. ADJUST INDIVIDUAL CLAMP ANGLE. MARK HOLE POSITIONS AND DRILL.

Steel Curved Back	20" High	19" High	18" High	17" High	16" High	15" High	14" High	13" High	12" High
21" Wide	TRX2632-2120	TRX2632-2119	TRX2632-2118	TRX2632-2117	TRX2632-2116	N/A	N/A	N/A	N/A
20" Wide	TRX2632-2020	TRX2632-2019	TRX2632-2018	TRX2632-2017	TRX2632-2016	TRX2632-2015	TRX2632-2014	N/A	N/A
19" Wide	TRX2632-1920	TRX2632-1919	TRX2632-1918	TRX2632-1917	TRX2632-1916	TRX2632-1915	TRX2632-1914	N/A	N/A
18" Wide	TRX2632-1820	TRX2632-1819	TRX2632-1818	TRX2632-1817	TRX2632-1816	TRX2632-1815	TRX2632-1814	TRX2636-1813	TRX2636-1812
17" Wide	TRX2632-1720	TRX2632-1719	TRX2632-1718	TRX2632-1717	TRX2632-1716	TRX2632-1715	TRX2632-1714	TRX2636-1713	TRX2636-1712
16" Wide	TRX2632-1620	TRX2632-1619	TRX2632-1618	TRX2632-1617	TRX2632-1616	TRX2632-1615	TRX2632-1614	TRX2636-1613	TRX2636-1612
15" Wide	TRX2632-1520	TRX2632-1519	TRX2632-1518	TRX2632-1517	TRX2632-1516	TRX2632-1515	TRX2632-1514	TRX2636-1513	TRX2636-1512
14" Wide	N/A	N/A	N/A	N/A	TRX3035-1416	TRX3035-1415	TRX3035-1414	TRX3034-1413	TRX3034-1412
13" Wide	N/A	N/A	N/A	N/A	TRX3037-1316	TRX3037-1315	TRX3037-1314	TRX3036-1313	TRX3036-1312
12" Wide	N/A	N/A	N/A	N/A	TRX3039-1216	TRX3039-1215	TRX3039-1214	TRX3038-1213	TRX3038-1212

ITEM NO.	QTY.	PART NO.	DESCRIPTION	ITEM NO.	QTY.	PART NO.	DESCRIPTION
1A	1	TRX2632	BACK PAN, 15W - 21W, 14H - 20H	4A	4	TRX2848	7/8" HANGER BRACKET WLD
1B N/S	1	TRX2636	BACK PAN, 15W - 18W, 12H - 13H	4B N/S	4	TRX2849	1" HANGER BRACKET WLD
1C N/S	1	TRX3035	BACK PAN, 14W, 14H - 16H	5	1	TRM0036	HEADREST CLAMP ASS'Y
1D N/S	1	TRX3034	BACK PAN, 14W, 12H - 13H	6 N/S	1	TRS0029	CURVED STEEL BACK COVER
1E N/S	1	TRX3037	BACK PAN, 13W, 14H - 16H	7 N/S	1	TRS0051	CURVED STEEL BACK FOAM PAD
1F N/S	1	TRX3036	BACK PAN, 13W, 12H - 13H	8	16	TRH0101	1/4" FLAT WASHER
1G N/S	1	TRX3039	BACK PAN, 12W, 14H - 16H	9	4	TRH0201	1/4-20 NYLOC NUT
1H N/S	1	TRX3038	BACK PAN, 12W, 12H - 13H	10	2	TRH0202	1/4-20 SHALLOW NYLOC NUT
2	1	TRX2685	SHIM	11	4	TRH0308	1/4-20 x 5/8" BUTTON SOCKET CAP SCREW
3A	4	TRX2834	7/8" CLAMP	12	10	TRH0429	1/4-20 x 1/2" BUTTON SOCKET CAP SCREW
3B N/S	4	TRX2836	1" CLAMP	13	2	TRH0445	1/4-20 x 3/4" BUTTON SOCKET CAP SCREW

# TRC0333 - RECESSED PLANAR BACK, TILT-ONLY

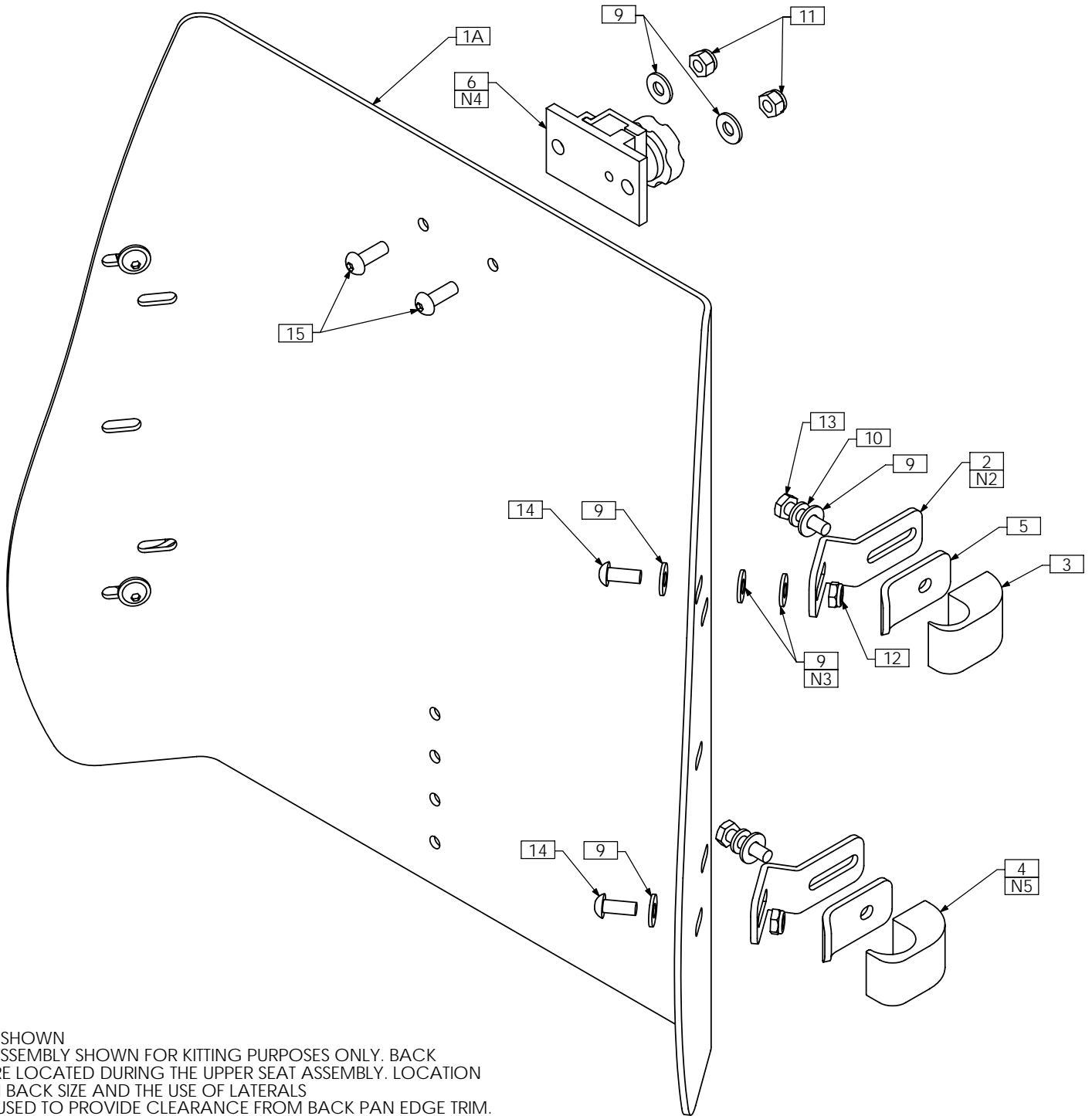


**NOTES:**

1. RECESSED BACK PAN IS MADE FROM SEAT PAN MATERIAL. SMALLEST SIZE SHOWN. BACK PAN SIZE DEPENDS ON SYSTEM SIZE.
2. PARTS IN ASSEMBLY SHOWN FOR KITTING PURPOSES ONLY. MOUNTING BRACKETS ARE LOCATED DURING THE UPPER SEAT ASSEMBLY. LOCATION DEPENDS ON BACK SIZE AND THE USE OF LATERALS
3. TRM0036 NOT REQUIRED FOR ONYX HEADREST - SEE TRC0326

ITEM NO.	QTY.	PART NO.	DESCRIPTION
1A	1	TRX0393	SEAT PAN 14"-18" WIDTHS
1B N/S	1	TRX0394	SEAT PAN, 19"-25" WIDTHS
2	4	TRX0486	BACK PAN MOUNTING BRACKET
3	1	TRM0036	HEADREST CLAMP ASS'Y
4 N/S	1	TRS0027	FLAT BACK COVER
5 N/S	1	TRS0050	FLAT BACK FOAM
6	6	TRH0101	¼" FLAT WASHER
7	6	TRH0202	¼-20 SHALLOW NYLOC NUT
8	6	TRH0445	¼-20 x ¾" BUTTON SOCKET CAP SCREW
9	4	TRH0547	#12 TYPE A x ¾" PAN PHILLIPS TEK SCREW

# TRC0334 - CONTOUR BACK, TILT-ONLY

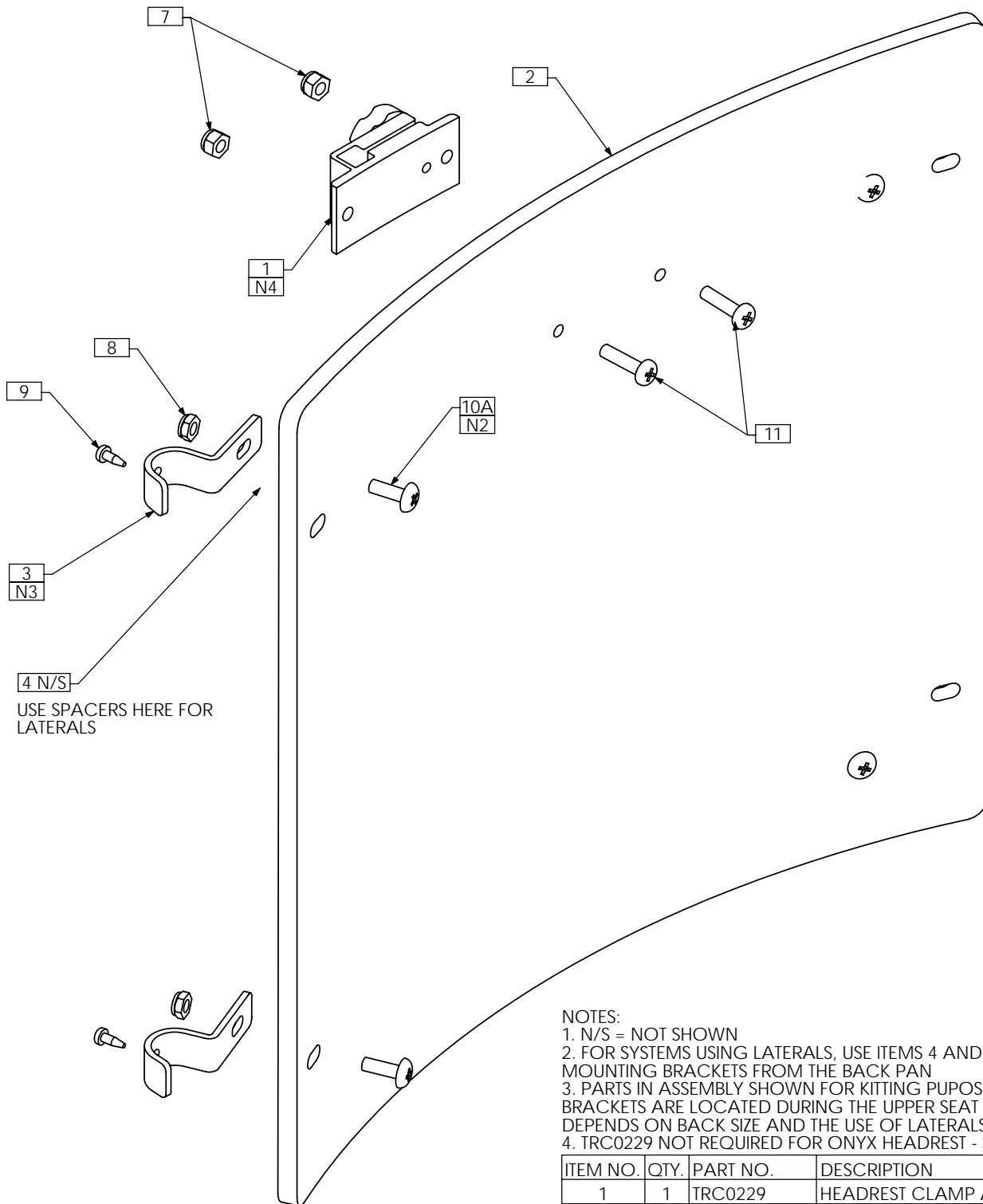


**NOTES:**

1. N/S = NOT SHOWN
2. PARTS IN ASSEMBLY SHOWN FOR KITTING PURPOSES ONLY. BACK HANGERS ARE LOCATED DURING THE UPPER SEAT ASSEMBLY. LOCATION DEPENDS ON BACK SIZE AND THE USE OF LATERALS
3. WASHERS USED TO PROVIDE CLEARANCE FROM BACK PAN EDGE TRIM. USE AS REQUIRED
4. TRM0036 NOT REQUIRED FOR ONYX HEADREST - SEE TRC0326
5. USE ITEM 3 FOR 7/8" DIAMETER CANES

ITEM NO.	QTY.	PART NO.	DESCRIPTION	ITEM NO.	QTY.	PART NO.	DESCRIPTION
1A	1	TRX1195	CONTOUR BACK PAN, 17H	8A N/S	1	TRS0020	CONTOUR BACK CUSHION ASS'Y
1B N/S	1	TRX2741	CONTOUR BACK PAN, 15H	8B N/S	1	TRS0022	CONTOUR BACK CUSHION ASS'Y, ONYX
1C N/S	1	TRX2740	CONTOUR BACK PAN, 12H	9	14	TRH0101	¼" FLAT WASHER
2	4	TRX1196	BACK HANGER	10	4	TRH0115	¼" LOCK WASHER
3	2	TRX1197	BACK CLAMP BLOCK, 7/8"	11	2	TRH0201	¼-20 NYLOC NUT
4	2	TRX1198	BACK CLAMP BLOCK, 1"	12	4	TRH0202	¼-20 SHALLOW NYLOC NUT
5	4	TRX1214	CLAMPING PLATE	13	4	TRH0303	¼-20 x 1" HEX HEAD CAP SCREW
6	1	TRM0036	HEADREST CLAMP ASS'Y	14	4	TRH0308	¼-20 x 5/8" BUTTON SOCKET CAP SCREW
7N/S	5ft	TRM0568	RUBBER EDGE TRIM, SMALL PROFILE	15	2	TRH0445	¼-20 x ¾" BUTTON SOCKET CAP SCREW

# TRC0332 - CURVED RIGID BACK, TILT-ONLY

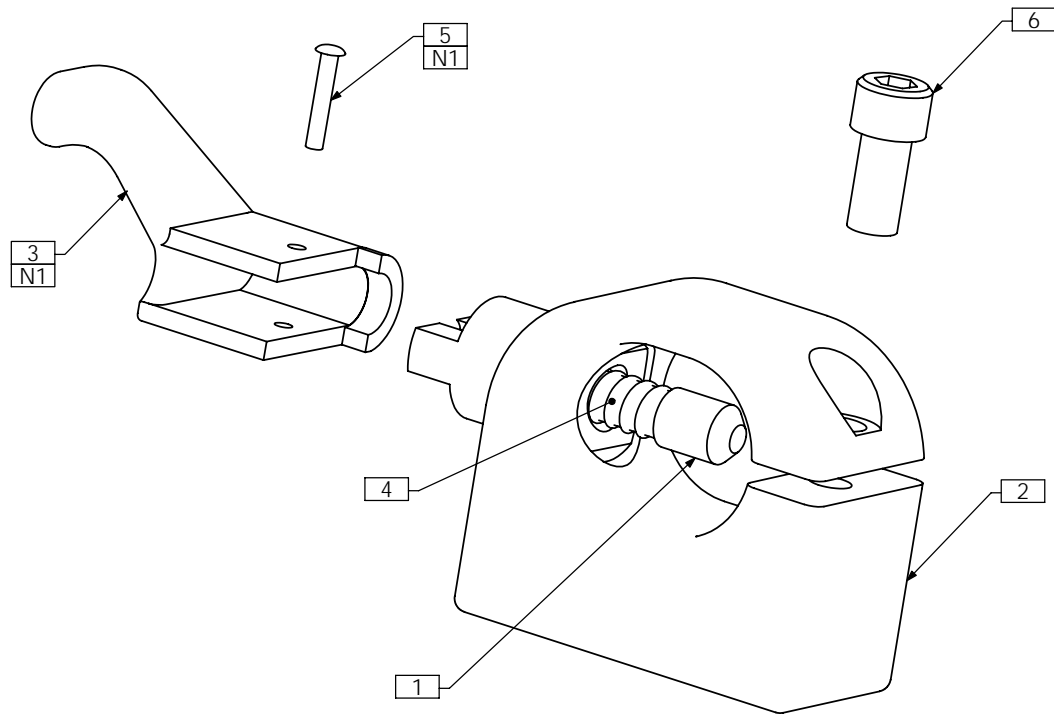


**NOTES:**

1. N/S = NOT SHOWN
2. FOR SYSTEMS USING LATERALS, USE ITEMS 4 AND 10B TO SPACE THE MOUNTING BRACKETS FROM THE BACK PAN
3. PARTS IN ASSEMBLY SHOWN FOR KITTING PURPOSES ONLY. MOUNTING BRACKETS ARE LOCATED DURING THE UPPER SEAT ASSEMBLY. LOCATION DEPENDS ON BACK SIZE AND THE USE OF LATERALS
4. TRC0229 NOT REQUIRED FOR ONYX HEADREST - SEE TRC0326

ITEM NO.	QTY.	PART NO.	DESCRIPTION
1	1	TRC0229	HEADREST CLAMP ASS'Y
2	1	TRX0429	BACK PAN
3	4	TRX0486	BACK PAN MOUNTING BRACKET
4 N/S	4	TRX1669-0290	SPACER, 3/8 X 1
5 N/S	1	TRS0027	FLAT BACK COVER
6 N/S	1	TRS0050	FLAT BACK FOAM
7	2	TRH0201	¼-20 NYLOC NUT
8	4	TRH0202	¼-20 SHALLOW NYLOC NUT
9	4	TRH0463	#8-18 x ½" PAN PHILLIPS TEK SCREW
10A	4	TRH0467	¼-20 x ¾" PHILLIPS TRUSS MACHINE SCREW
10B N/S	4	TRH0353	¼-20 x 1¼" HEX HEAD CAP SCREW
11	2	TRH0355	¼-20 x 1" PHILLIPS TRUSS MACHINE SCREW

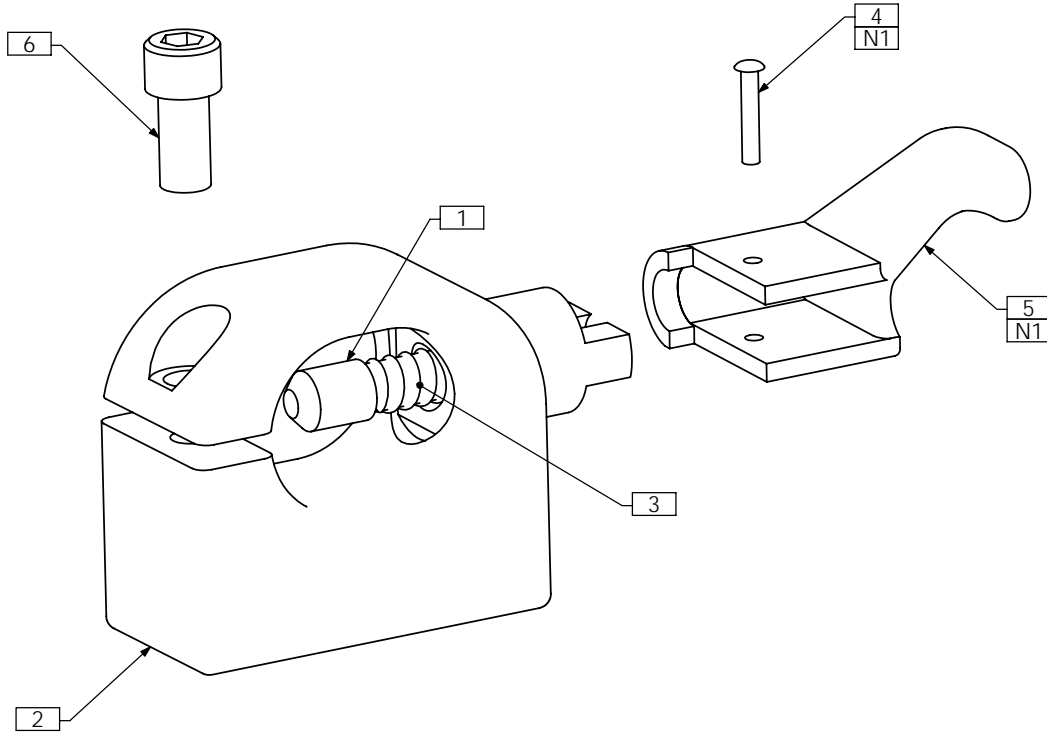
# TRC0126 - FRONT ARMREST RECEIVER ASS'Y, RIGHT, TILT-ONLY



NOTES:  
1. FROM KIT TRM0196

ITEM NO.	QTY.	PART NO.	DESCRIPTION
1	1	TRX0320	PLUNGER
2	1	TRX0323	RECEIVER WLD, FRONT, TILT
3	1	TRM0096	RIGHT ARM REST LEVER
4	1	TRM0097	SPRING
5	1	TRM0098	ARM REST PIN
6	1	TRH0482	1/4-28 x 1/2" SOCKET HEAD CAP SCREW GR8

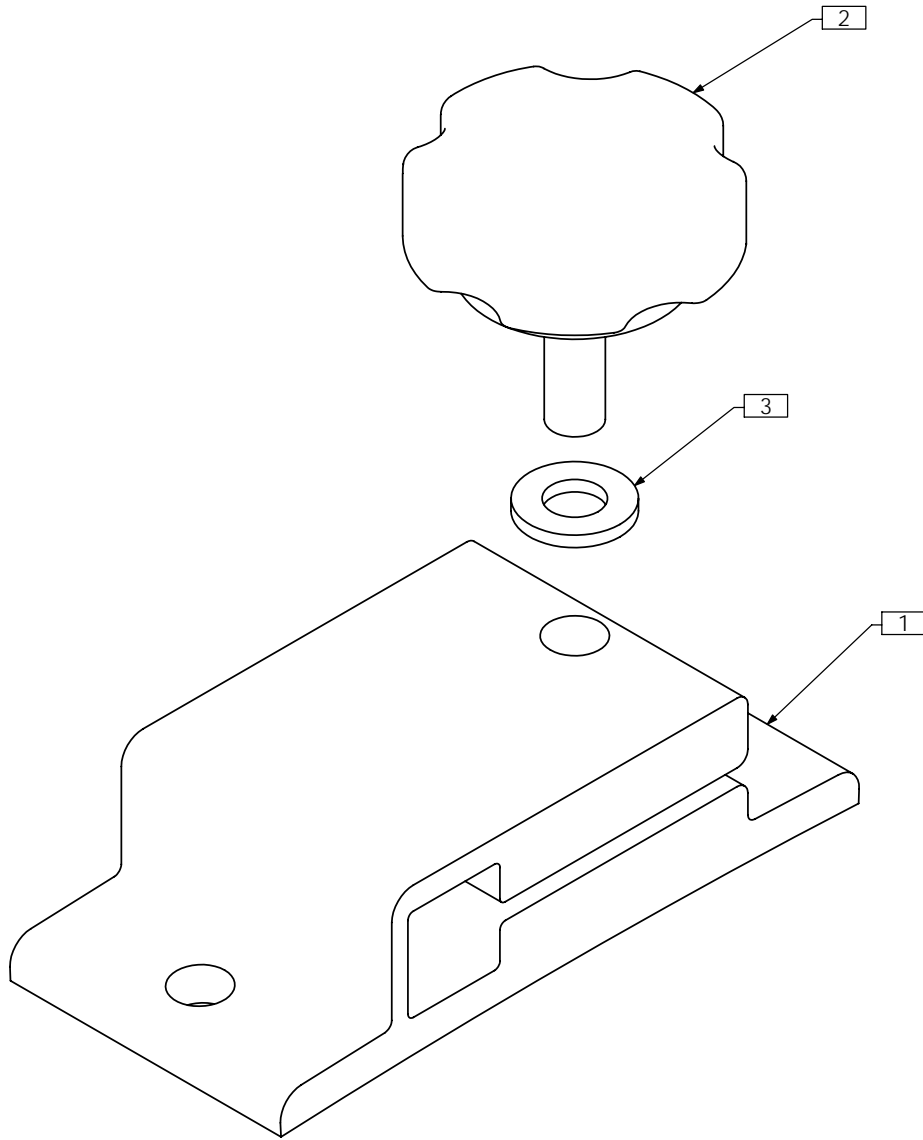
# TRC0127 - FRONT ARMREST RECEIVER ASS'Y, LEFT, TILT-ONLY



NOTES:  
1. FROM KIT TRM0196

ITEM NO.	QTY.	PART NO.	DESCRIPTION
1	1	TRX0320	PLUNGER
2	1	TRX0323	RECEIVER WLD, FRONT, TILT
3	1	TRM0097	SPRING
4	1	TRM0098	ARM REST PIN
5	1	TRM0105	LEFT ARM REST LEVER
6	1	TRH0482	¼-28 x ½" SOCKET HEAD CAP SCREW GR8

# TRC0229 - HEADREST CLAMP ASS'Y



ITEM NO.	QTY.	PART NO.	DESCRIPTION
1	1	TRX0331	HEADREST CLAMP
2	1	TRM0240	KNOB
3	1	TRH0102	¼" NYLON WASHER