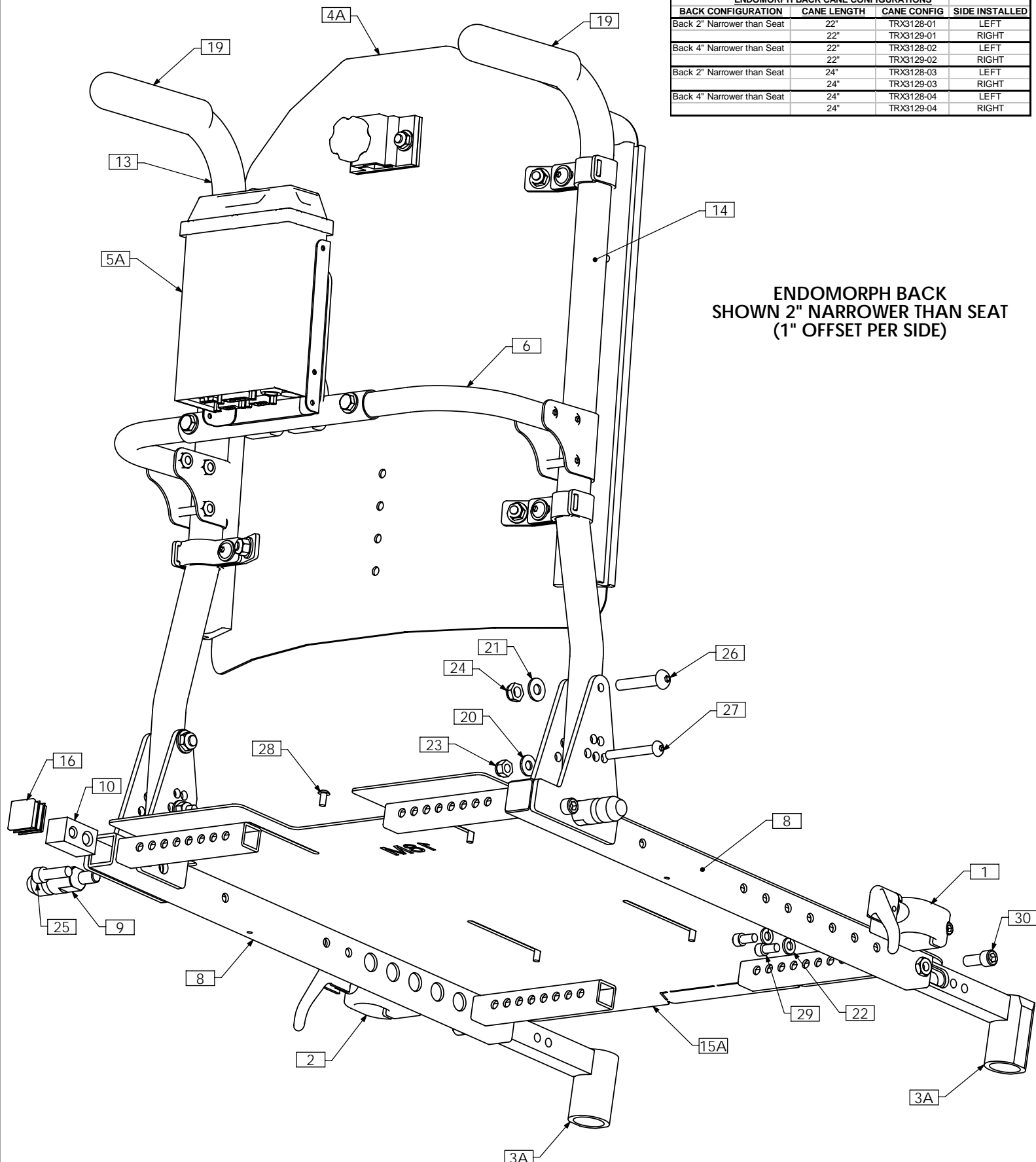


TRC0599 - UPPER SEAT ASS'Y, ENDOMORPH BACK, TILT-ONLY, ADJUSTABLE SEAT DEPTH

| ENDOMORPH BACK CANE CONFIGURATIONS | | | |
|------------------------------------|-------------|-------------|----------------|
| BACK CONFIGURATION | CANE LENGTH | CANE CONFIG | SIDE INSTALLED |
| Back 2" Narrower than Seat | 22" | TRX3128-01 | LEFT |
| Back 4" Narrower than Seat | 22" | TRX3129-01 | RIGHT |
| Back 2" Narrower than Seat | 22" | TRX3128-02 | LEFT |
| Back 4" Narrower than Seat | 22" | TRX3129-02 | RIGHT |
| Back 2" Narrower than Seat | 24" | TRX3128-03 | LEFT |
| Back 4" Narrower than Seat | 24" | TRX3129-03 | RIGHT |
| Back 2" Narrower than Seat | 24" | TRX3128-04 | LEFT |
| Back 4" Narrower than Seat | 24" | TRX3129-04 | RIGHT |



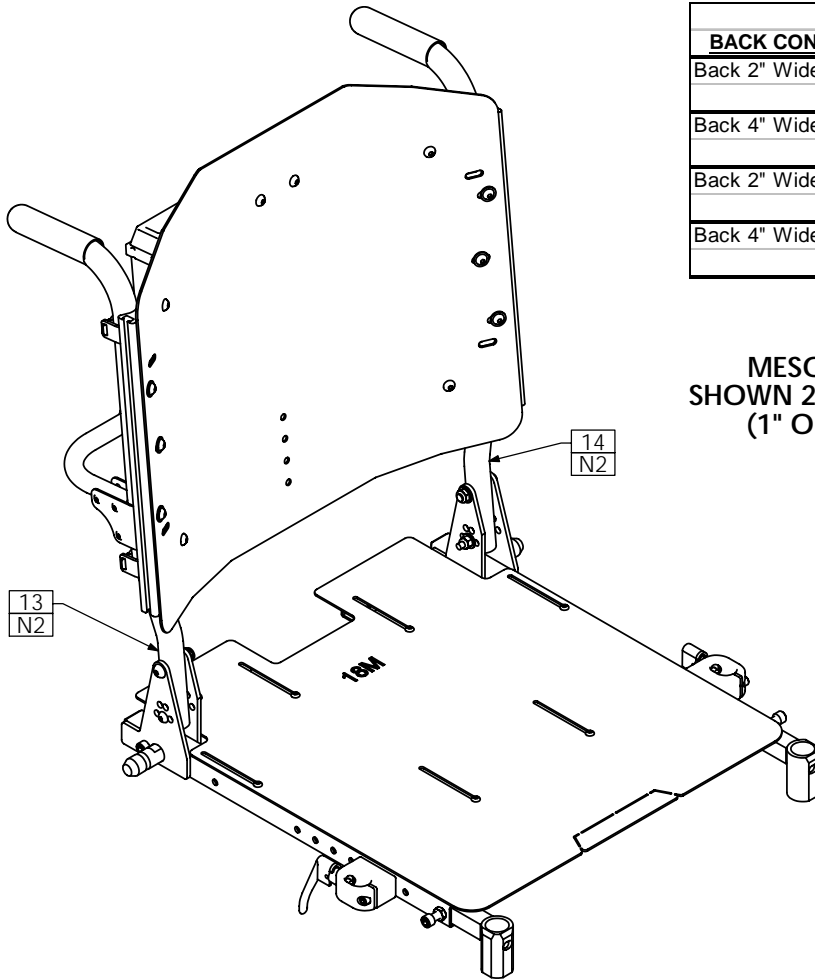
**ENDOMORPH BACK
SHOWN 2" NARROWER THAN SEAT
(1" OFFSET PER SIDE)**

NOTE: SEAT PANS OF SIZE 19W X 21D AND LARGER WILL REQUIRE THE SEAT DEPTH EXTENSION KIT - TRC0313

TRC0599 - UPPER SEAT ASS'Y, ENDOMORPH BACK, TILT-ONLY, ADJUSTABLE SEAT DEPTH

| MESOMORPH BACK CANE CONFIGURATIONS | | | |
|------------------------------------|-------------|-------------|----------------|
| BACK CONFIGURATION | CANE LENGTH | CANE CONFIG | SIDE INSTALLED |
| Back 2" Wider than Seat | 22" | TRX3128-01 | RIGHT |
| | 22" | TRX3129-01 | LEFT |
| Back 4" Wider than Seat | 22" | TRX3128-02 | RIGHT |
| | 22" | TRX3129-02 | LEFT |
| Back 2" Wider than Seat | 24" | TRX3128-03 | RIGHT |
| | 24" | TRX3129-03 | LEFT |
| Back 4" Wider than Seat | 24" | TRX3128-04 | RIGHT |
| | 24" | TRX3129-04 | LEFT |

MESOMORPH BACK
SHOWN 2" WIDER THAN SEAT
(1" OFFSET PER SIDE)



- NOTES:
 1. N/S = NOT SHOWN
 2. FOR MESOMORPH BACKS, RIGHT AND LEFT BACK CANES ARE INSTALLED ON OPPOSITE SIDES
 3. ITEM 5B USED TO SECURE 1.0 RELAY BOX UNDER SEAT PAN. USE ITEM 11 FOR M11 TIPSY.

| ITEM NO. | QTY. | PART NO. | DESCRIPTION | ITEM NO. | QTY. | PART NO. | DESCRIPTION |
|----------|------|----------|--|----------|------|----------|--|
| 1 | 1 | TRC0126 | FRONT ARMREST RECEIVER ASS'Y, RIGHT | 15A | 1 | TRX3262 | SEAT PAN, 16DP - 19DP |
| 2 | 1 | TRC0127 | FRONT ARMREST RECEIVER ASS'Y, LEFT | 15B N/S | 1 | TRX3261 | SEAT PAN, 14DP - 17DP |
| 3A | 1 | TRC0535 | LEGREST RECEIVER SELECTION | 15C N/S | 1 | TRX3357 | SEAT PAN, 19DP - 22DP |
| 3B N/S | 1 | TRC0552 | CENTER MOUNT LEGREST RECEIVER SELECTION | 16 | 2 | TRM0107 | SQUARE TUBE CAP |
| 4A | 1 | TRC0488 | CURVED RIGID BACK, TILT-ONLY | 17 N/S | 1 | TRM0208 | BACK FLAP, VARIOUS SIZES |
| 4B N/S | 1 | TRC0333 | RECESSED PLANAR BACK, TILT-ONLY | 18 N/S | 2 | TRM0558 | ROD CAP |
| 4C N/S | 1 | TRC0334 | CONTOUR BACK, TILT-ONLY | 19 | 2 | TRM0559 | 1" - 4" FOAM GRIP |
| 5A | 1 | TRC0525 | RELAY BOX MOUNT ASS'Y | 20 | 2 | TRH0101 | ¼" FLAT WASHER |
| 5B N/S | 1 | TRX3136 | RELAY BOX MTG STRIP | 21 | 2 | TRH0107 | 5/16" FLAT WASHER |
| 6 | 1 | TRC0554 | ADJUSTABLE SPREADER BAR ASS'Y | 22 | 4 | TRH0115 | ¼" LOCK WASHER |
| 7 N/S | 1 | TRC0313 | SEAT DEPTH EXTENSION KIT | 23 | 2 | TRH0201 | ¼-20 NYLOC NUT |
| 8 | 1 | TRC0607 | ADJUSTABLE DEPTH SEAT SIDE FRAME SELECTION | 24 | 2 | TRH0207 | 5/16-18 SHALLOW NYLOC NUT |
| 9 | 2 | TRX1722 | SHORT MOUNTING PIN | 25 | 2 | TRH0317 | 5/16-18 x 1" SOCKET HEAD CAP SCREW GR8 |
| 10 | 2 | TRX1742 | MOUNTING PIN INSERT | 26 | 2 | TRH0321 | 5/16-18 x 1¼" BUTTON SOCKET CAP SCREW |
| 11 N/S | 1 | TRX2614 | HORIZONTAL TIPSY BRACKET ASSY | 27 | 2 | TRH0431 | ¼-20 x 2" BUTTON SOCKET CAP SCREW |
| 12 N/S | 2 | TRX3127 | BACKCANE INSERT | 28 | 6 | TRH0475 | #10-32 x 3/8" BUTTON SOCKET CAP SCREW |
| 13 | 1 | TRX3128 | ENDOMORPHIC BACK CANE LEFT | 29 | 4 | TRH0459 | ¼-20 x ½" SOCKET HEAD CAP SCREW GR8 |
| 14 | 1 | TRX3129 | ENDOMORPHIC BACK CANE RIGHT | 30 | 2 | TRH0517 | 5/16-24 x ¾" SOCKET HEAD CAP SCREW GR8 |