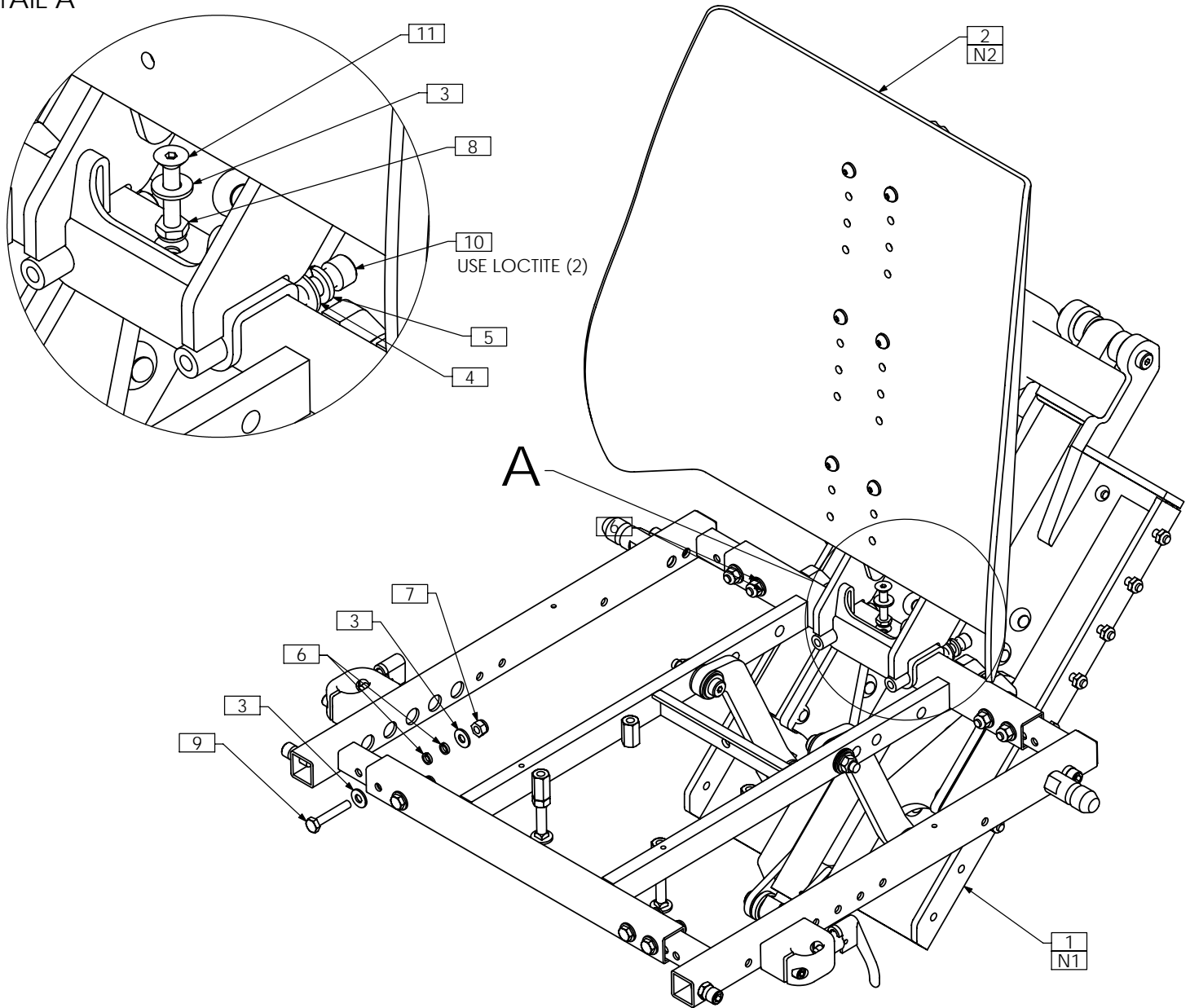


TRC0611 - MAIN ASS'Y, ULTRA LOW CGT, SINGLE POST BACK

DETAIL A



NOTES:

1. IMPORTANT: FOR SINGLE POST BACK APPLICATIONS, ULTRA LOW SYSTEM MUST BE LIMITED TO 45° TILT - REFER TO TRC0557. SHOWN WITH STANDARD DEPTH SEAT FRAME
2. ENSURE PROPER PIVOT MOUNT WLD IS USED FOR ULTRA LOW - TRX3337

ITEM NO.	QTY.	PART NO.	DESCRIPTION
1	1	TRC0557	POSITIONING SYSTEM, 7" SHIFT
2	1	TRC0553	UPPER SEAT ASS'Y, SINGLE POST BACK
3	17	TRH0101	¼" FLAT WASHER
4	2	TRH0107	5/16" FLAT WASHER
5	2	TRH0108	5/16" LOCK WASHER
6	16	TRH0113	¼" HI COLLAR LOCK WASHER
7	8	TRH0201	¼-20 NYLOC NUT
8	1	TRH0202	¼-20 SHALLOW NYLOC NUT
9	8	TRH0301	¼-20 x 1½" HEX HEAD CAP SCREW
10	2	TRH0358	5/16-18 x 2" SOCKET HEAD CAP SCREW GR8
11	1	TRH0377	¼-20 x 1½" FLAT SOCKET CAP SCREW