



**MaTRx
Headrest
Installation**

***Standard
Mounting Hardware***



Installation Manual

MaTRx Headrests with Standard Mounting Hardware

HEADREST KITS:

The headrest installation hardware/components provided in each **Standard Mounting Hardware Kit** are identical, with the exception of the **Onyx-Style** headrest. (Refer to **Figure 1.0** & **Figure 1A** below). The Onyx headrest utilizes a unique mounting hardware kit. There are **seven (7)** optional headrest assemblies available for use with our standard mounting hardware. (Headrest options are illustrated in **Figure 2.0**).

Standard Mounting Hardware (excluding headrest ass'y)

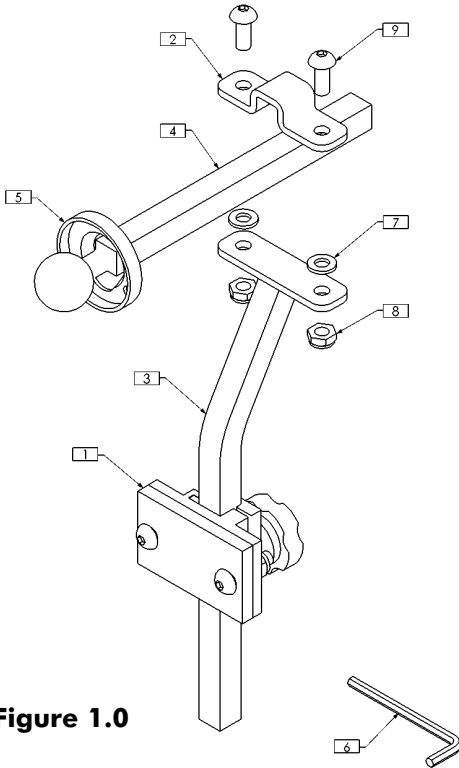
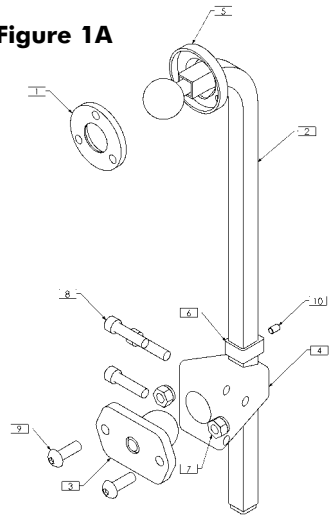


Figure 1.0

ITEM NO.	QTY.	PART NO.	DESCRIPTION
1	1	TRC0787	HEADREST CLAMP ASS'Y w/ SHIM
2	1	TRX2539	CLAMP
3	1	TRX2540	MOUNT WLD
4	1	TRM0037	SMALL HORIZONTAL HEADREST ROD
5	1	TRM0040	HEADREST MOUNTING RING
6	1	TRM0749	5/32" HEX KEY
7	2	TRH0102	1/2" NYLON WASHER
8	2	TRH0202	1/4-20 SHALLOW NYLOC NUT
9	2	TRH0308	1/4-20 x 5/8" BUTTON SOCKET CAP SCREW

Onyx Style Mounting Hardware

Figure 1A



ITEM NO.	QTY.	PART NO.	DESCRIPTION
1	1	TRX1541	MOUNTING PLATE
2	1	TRX1567	TRX HEADREST MNT WLD
3	1	TRX1617	TRX PIVOT BLOCK MNT WLD
4	1	TRM0039	TRIANGULAR MULTI-OFFSET
5	1	TRM0040	HEADREST MOUNTING RING
6	1	TRM0414	D-RING
7	2	TRH0201	1/2-20 NYLOC NUT
8	3	TRH0335	1/2-20 x 1" SOCKET HEAD CAP SCREW CRS
9	2	TRH0445	1/4-20 x 3/4" BUTTON SOCKET CAP SCREW
10	1	TRH0501	#10-32 x 1/4" HEX SOCKET SET SCREW



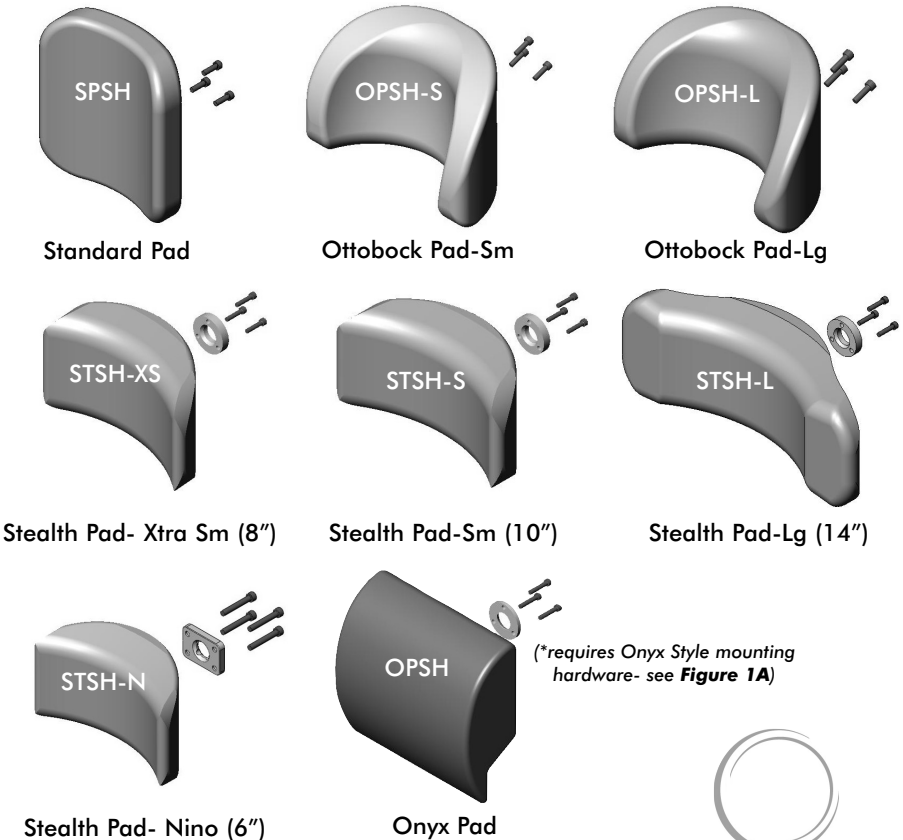
MaTRx Headrests with Standard Mounting Hardware

Headrest Kit Options*

Model/Kit No.	Description
SPSH	Standard Pad / Hardware
OPSH-S	Ottobock Pad / Hardware- small
OPSH-L	Ottobock Pad / Hardware- large
STSH-XS	Stealth Pad / Hardware- extra small
STSH-S	Stealth Pad / Hardware- small
STSH-L	Stealth Pad / Hardware- large
STSH-N	Stealth Pad / Hardware- nino
OPSH	Onyx Pad / Hardware

(refer to **Figure 2.0** for the various Headrest Ass'y Options)

Figure 2.0 - Optional Headrest Assemblies



Note: each headrest includes corresponding mounting hardware)



MaTRx Headrests with Standard Mounting Hardware

TOOLS REQUIRED:

Wrenches: 7/16"

Phillips Screwdriver

Power Drill

Allen Key: 5/32", 1/8"

Tape Measure/Ruler

1/4" Drill Bit

INSTALLATION INSTRUCTIONS:

The headrest clamp is secured to the wheelchair back using the hardware provided. Whenever possible, the clamp should be installed into existing mounting holes in the backpan. If no holes are provided, holes may be drilled in the desired location using the mounting plate as a template¹.

The overall height of the headrest pad/ mounting post can be adjusted via the main headrest clamp assembly. The depth of the headrest is adjusted along the horizontal headrest rod and secured in position by the upper clamp assembly.

The headrest pad is secured to the mounting post via the corresponding mounting ring and headrest hardware provided. (**note:** prior to tightening the mounting hardware, the headrest pad can also be adjusted to the desired position/angle around the pivot ball at the end of the headrest rod).

¹ Important! - before drilling/modifying any backpan, be certain to contact the back manufacturer to ensure the back is recommended to support a headrest application.



www.motionconcepts.com
info@motionconcepts.com

USA

700 Ensminger Rd. Suite 112

Tonawanda, NY 14150

Toll Free Tel: 1.888.433.6818

Toll Free Fax: 1.888.433.6834

Canada

84 Citation Drive

Concord, Ontario L4K 3C1

Toll Free Tel: 1.866.748.7943

Tel: 905.695.0134

Fax: 905.695.0138

