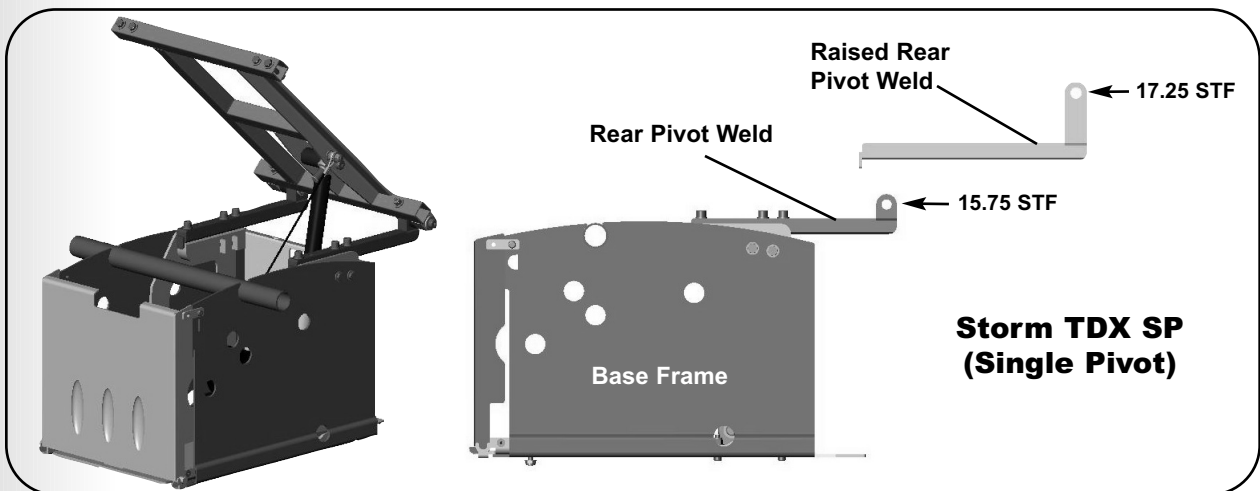
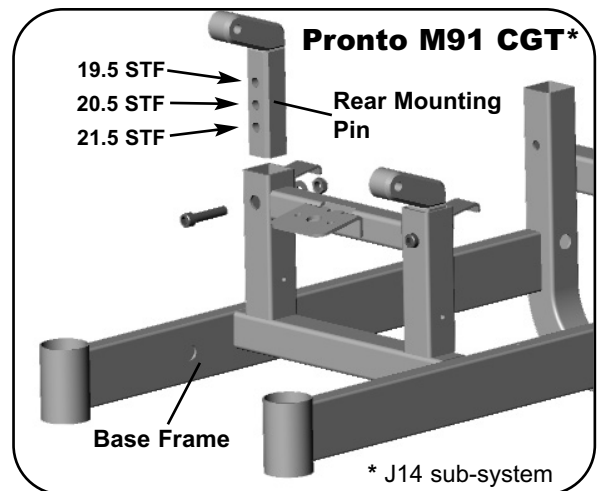
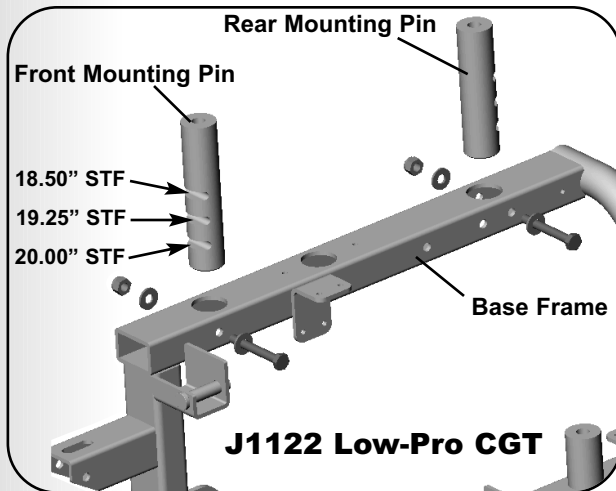


## 5.0 - Mechanical Adjustments:

### VI. Seat to Floor Height Adjustments

The degree of seat to floor (STF) adjustments can vary depending on the type of seating system and power base. Certain systems do not offer any adjustment for seat to floor height (eg. TDX SL-CGT). Other systems allow for height adjustments at various intervals. The examples below illustrate the STF height adjustments for the (Quantum) Jazzy 1122 Low-Pro CGT, the Invacare Pronto M91 CGT and the Invacare Storm TDX Single Pivot system.

**NOTE:** Additional examples of STF height adjustments (on the new Ultra-Low system) are illustrated in part IX. **CG Adjustments** (see **Figures 13, 16b and 19**).



**NOTES**