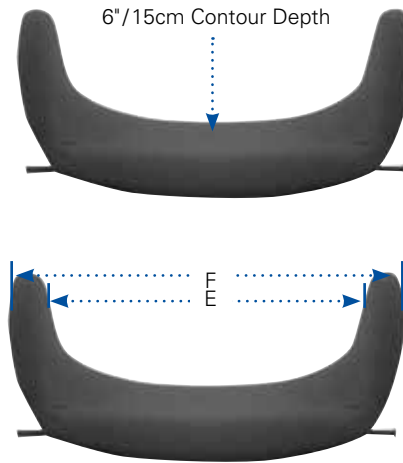
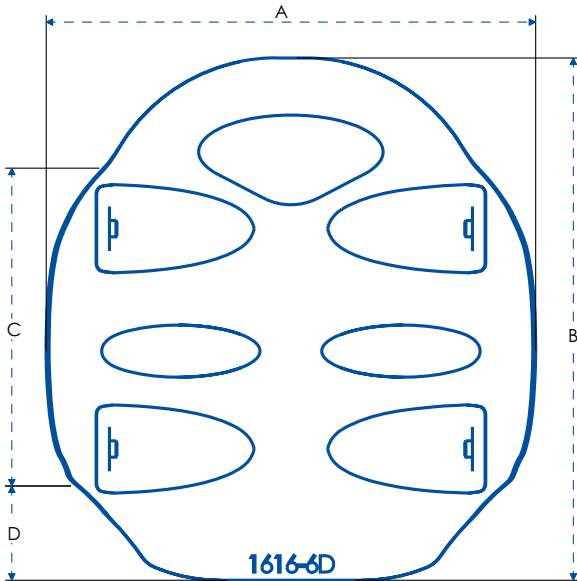




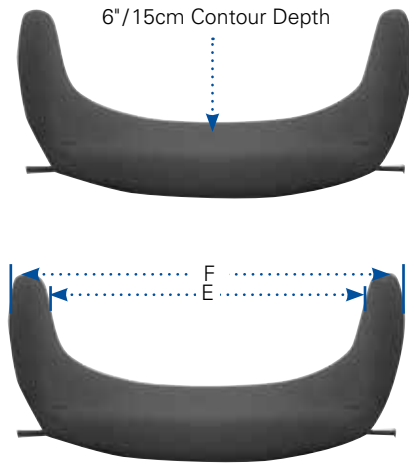
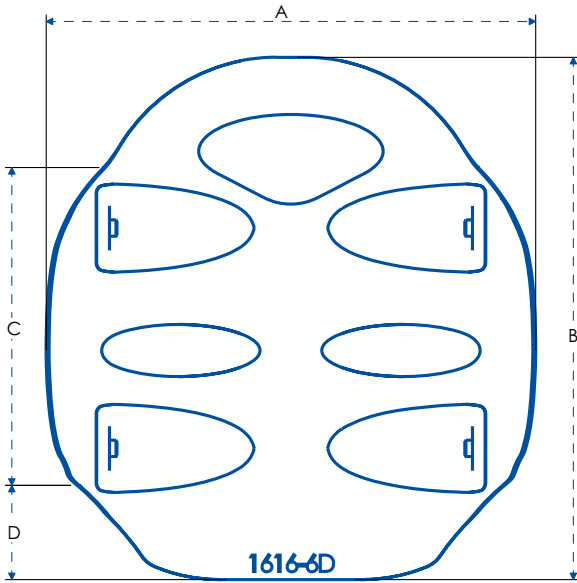
INVACARE® MATRX® ELITE DEEP BACK SPECIFICATIONS



MODEL	BACK SHELL DIMENSIONS								OVERALL DIMENSIONS (CONTACT AREA)									
	A WIDTH		B HEIGHT		C LATERAL CONTOUR HEIGHT		D HEIGHT		E INNER MAXIMUM WIDTH		F OUTER MAXIMUM WIDTH		G HEIGHT		WEIGHT WITHOUT HARDWARE		WEIGHT CAPACITY	
	in	cm	in	cm	in	cm	in	cm	in	cm	in	cm	in	cm	lb	kg	lb	kg
EDB1412	13	33	12	31	8	20	2½	6.5	11½	29	14	36	14	36	3.2	1.4	300	136
EDB1416	13	33	16	41	8½	21.5	3	7.5	11½	29	14	36	17	43	3.4	1.5	300	136
EDB1418	13	33	18	46	8½	21.5	3	7.5	11½	29	14	36	19	48	3.6	1.6	300	136
EDB1420	13	33	20	51	8½	21.5	3	7.5	11½	29	14	36	21	53	3.8	1.7	300	136
EDB1512	14	36	12	31	8	20	2½	6.5	12½	32	15	38	14	36	3.3	1.5	300	136
EDB1516	14	36	16	41	8½	21.5	3	7.5	12½	32	15	38	17	43	3.5	1.6	300	136
EDB1518	14	36	18	46	8½	21.5	3	7.5	12½	32	15	38	19	48	3.7	1.7	300	136
EDB1520	14	36	20	51	8½	21.5	3	7.5	12½	32	15	38	21	53	3.9	1.8	300	136
EDB1612	15	38	12	31	8	20	2½	6.5	13½	34.5	16	41	14	36	3.4	1.5	300	136
EDB1616	15	38	16	41	8½	21.5	3	7.5	13½	34.5	16	41	17	43	3.6	1.6	300	136
EDB1618	15	38	18	46	8½	21.5	3	7.5	13½	34.5	16	41	19	48	3.8	1.7	300	136
EDB1620	15	38	20	51	8½	21.5	3	7.5	13½	34.5	16	41	21	53	4.0	1.8	300	136



INVACARE® MATRX® ELITE DEEP BACK SPECIFICATIONS



MODEL	BACK SHELL DIMENSIONS								OVERALL DIMENSIONS (CONTACT AREA)									
	A WIDTH		B HEIGHT		C LATERAL CONTOUR HEIGHT		D HEIGHT		E INNER MAXIMUM WIDTH		F OUTER MAXIMUM WIDTH		G HEIGHT		WEIGHT WITHOUT HARDWARE		WEIGHT CAPACITY	
	in	cm	in	cm	in	cm	in	cm	in	cm	in	cm	in	cm	lb	kg	lb	kg
EDB1712	16	41	12	31	8	20	2½	6.5	14½	37	17	43	14	36	3.5	1.6	300	136
EDB1716	16	41	16	41	8½	21.5	3	7.5	14½	37	17	43	17	43	3.7	1.7	300	136
EDB1718	16	41	18	46	8½	21.5	3	7.5	14½	37	17	43	19	48	3.9	1.8	300	136
EDB1720	16	41	20	51	8½	21.5	3	7.5	14½	37	17	43	21	53	4.1	1.9	300	136
EDB1812	17	43	12	31	8	20	2½	6.5	15½	39.5	18	46	14	36	3.6	1.6	300	136
EDB1816	17	43	16	41	8½	21.5	3	7.5	15½	39.5	18	46	17	43	3.8	1.7	300	136
EDB1818	17	43	18	46	8½	21.5	3	7.5	15½	39.5	18	46	19	48	4.1	1.9	300	136
EDB1820	17	43	20	51	8½	21.5	3	7.5	15½	39.5	18	46	21	53	4.3	2.0	300	136
EDB1912	18	46	12	31	8	20	2½	6.5	16½	42	19	48	14	36	3.7	1.7	300	136
EDB1916	18	46	16	41	8½	21.5	3	7.5	16½	42	19	48	17	43	4.0	1.8	300	136
EDB1918	18	46	18	46	8½	21.5	3	7.5	16½	42	19	48	19	48	4.2	1.9	300	136
EDB1920	18	46	20	51	8½	21.5	3	7.5	16½	42	19	48	21	53	4.4	2.0	300	136
EDB2012	19	48	12	31	8	20	2½	6.5	17½	44.5	20	51	14	36	3.9	1.8	300	136
EDB2016	19	48	16	41	8½	21.5	3	7.5	17½	44.5	20	51	17	43	4.1	1.9	300	136
EDB2018	19	48	18	46	8½	21.5	3	7.5	17½	44.5	20	51	19	48	4.3	2.0	300	136
EDB2020	19	48	20	51	8½	21.5	3	7.5	17½	44.5	20	51	21	53	4.5	2.1	300	136